

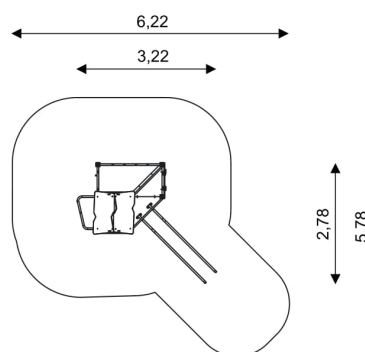
WOODEN WD1449

PLAYGROUND EQUIPMENT



Safety zone	39,00 m ²
Length	3,22 m
Width	2,78 m
Total height	3,67 m
Free fall height	2,20 m
Age range	3-14 years
In accordance w/ EN standards	1176-1:2017
Weight of the heaviest part [kg]	8
Dimension of the biggest part [cm]	317x9x9
Availability of spare parts	Yes

Minimal space



Material Specification

- 90x90 mm main construction made of impregnated, laminated wood of pine;
- Metal anchors are made of hot dip galvanized steel, protecting the wood from direct contact with the ground to prevent rot and extending the product's life;
- Platforms and climbing walls are made of anti-slip and waterproof plywood or HPL plate;
- Panels and roof are made of atmospheric condition resistant HDPE or HPL plates;
- Stainless steel screws or screws covered with plastic caps;
- No sharp edges or chinks that would pose a danger of jamming the head, fingers or any other body parts;
- Handrails and bars made out of stainless steel;
- Steel ropes braided with PP, connected by durable plastic elements;
- Double wall tube passage made of polypropylene;

Additional comments

- The equipment is certified by an accrediting organization or by certificate of conformity;
- Depth of foundations on a flat surface: 80/70/60 cm;
- The equipment is designed for public playgrounds;

Surfaces

Due to the free fall height of the equipment, the EN 1176-1:2017 standard allows the following surfaces: sand with minimal layer thickness of 40 cm (A), synthetic material approved for free fall of 2,20 m (A,B,C)

