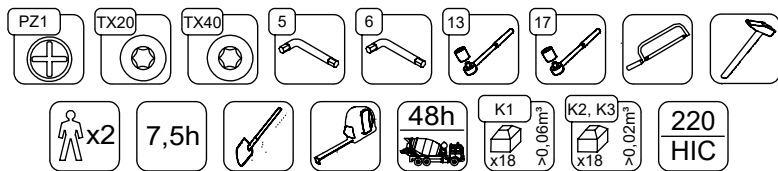
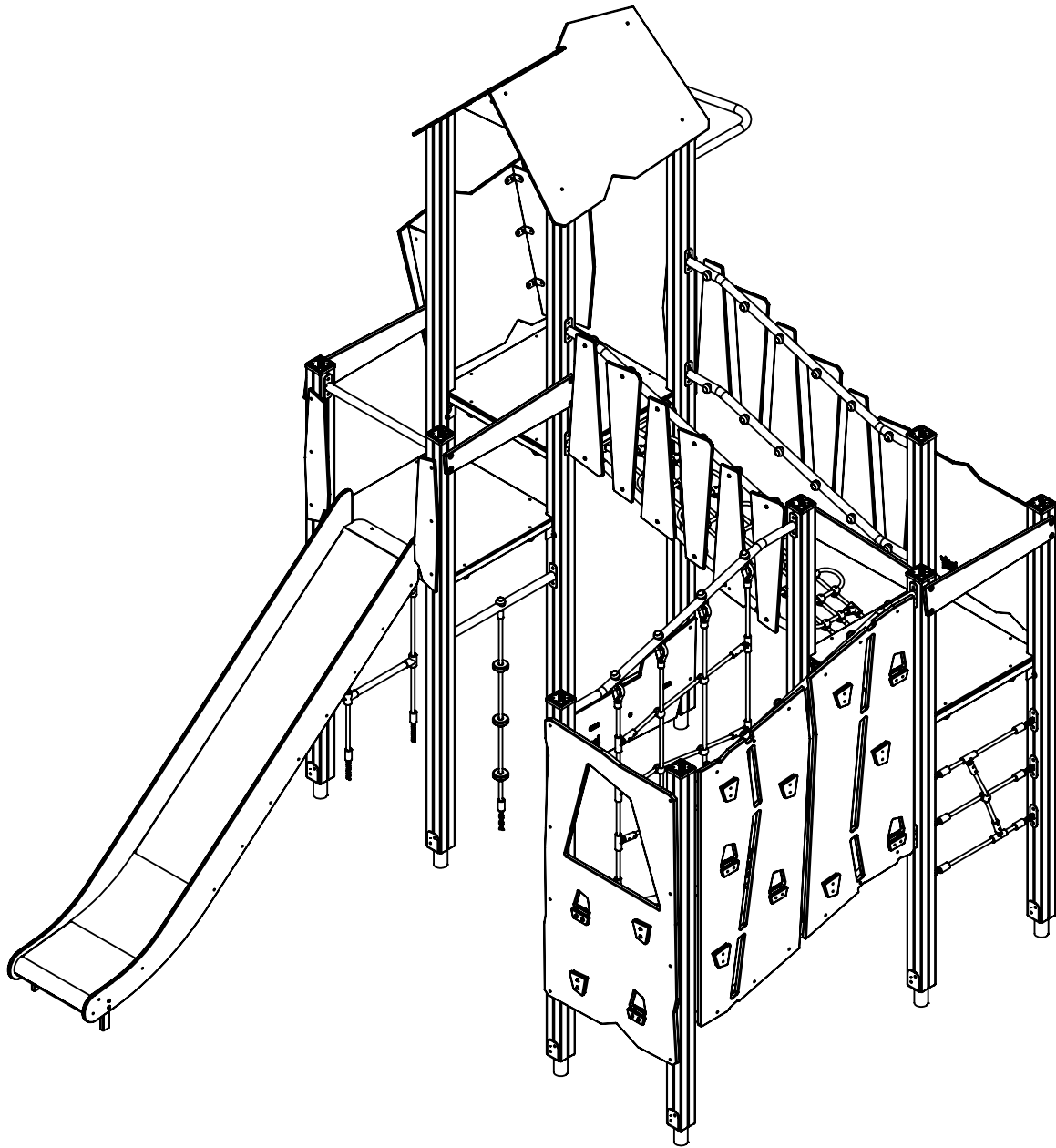
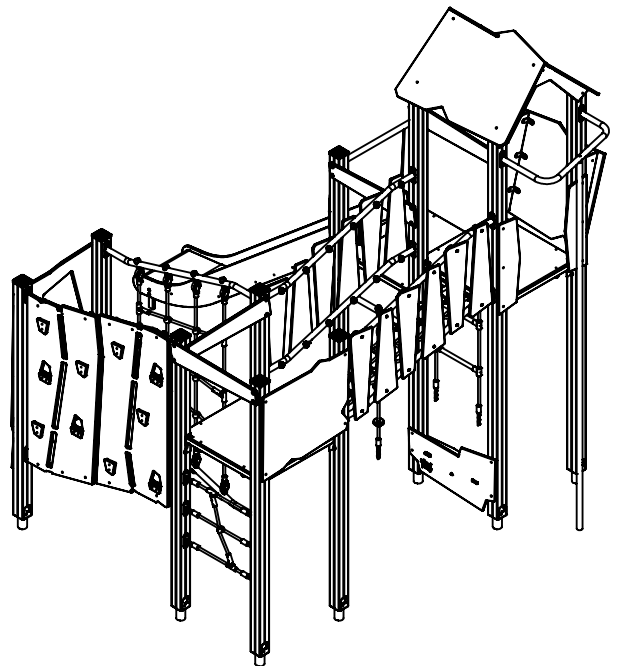
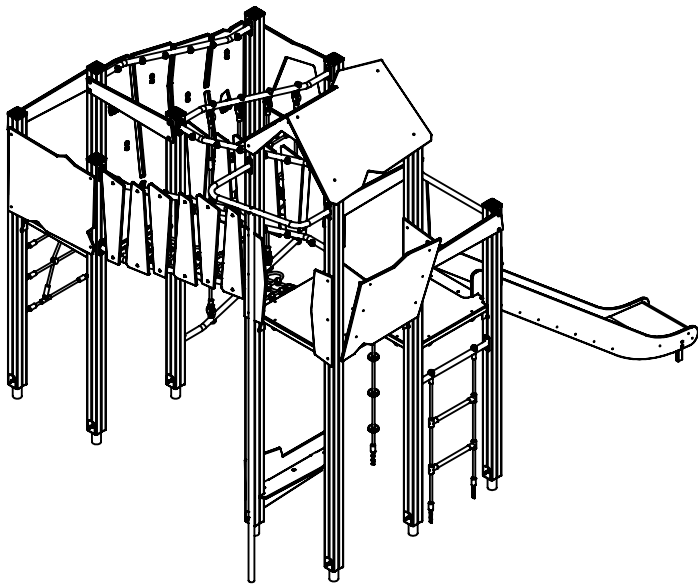
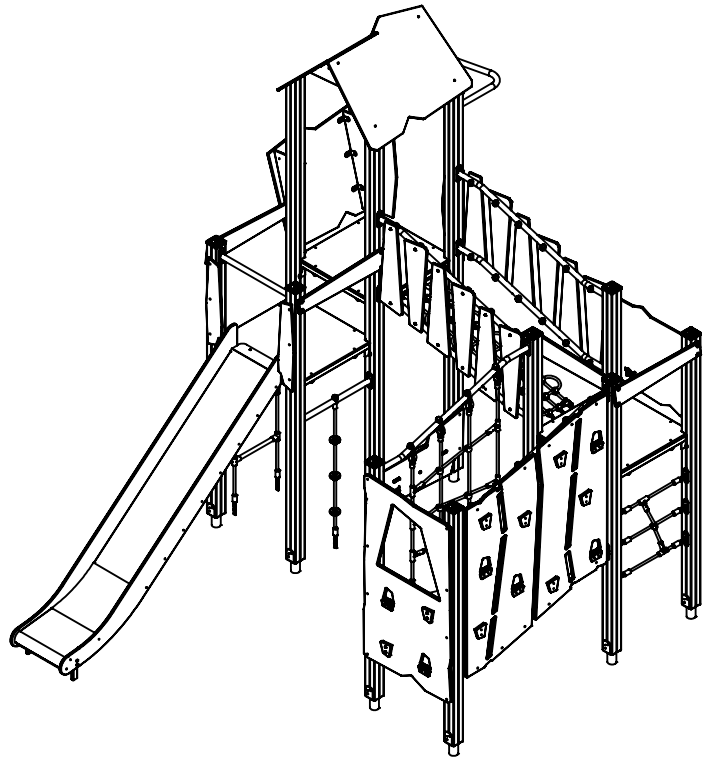
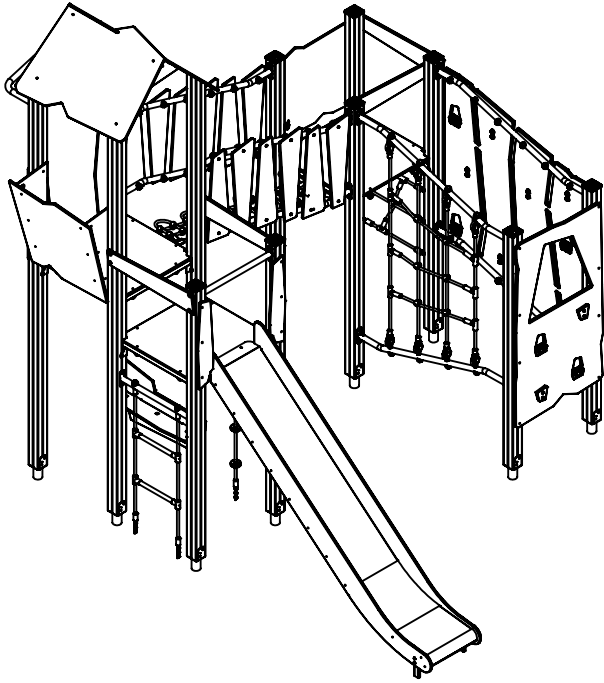


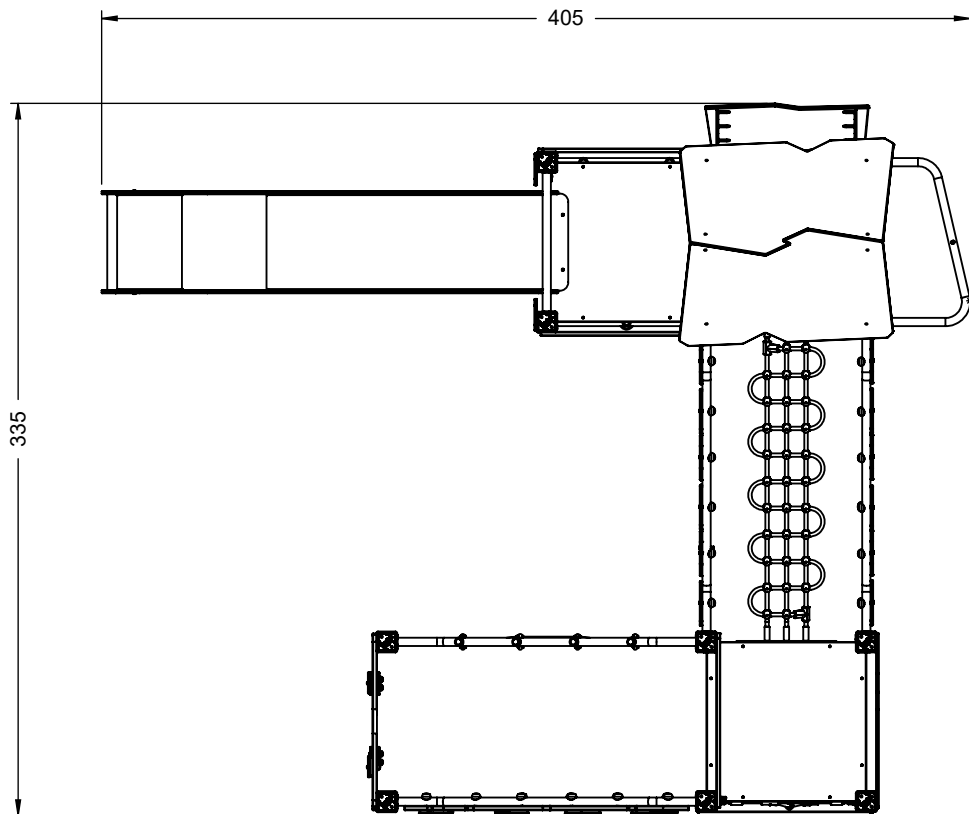
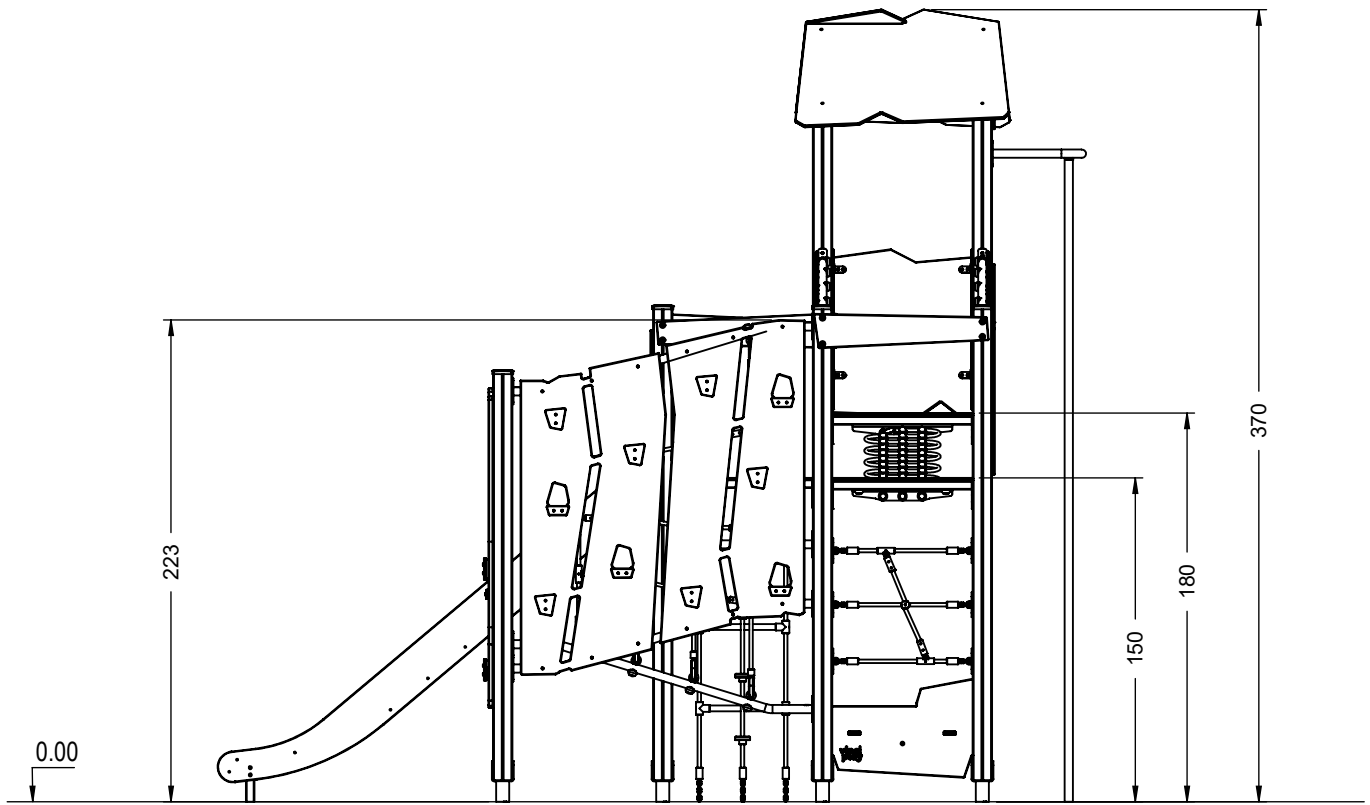
WD1410



v015
10.05.2022
D. P.
[cm]

vinci
play

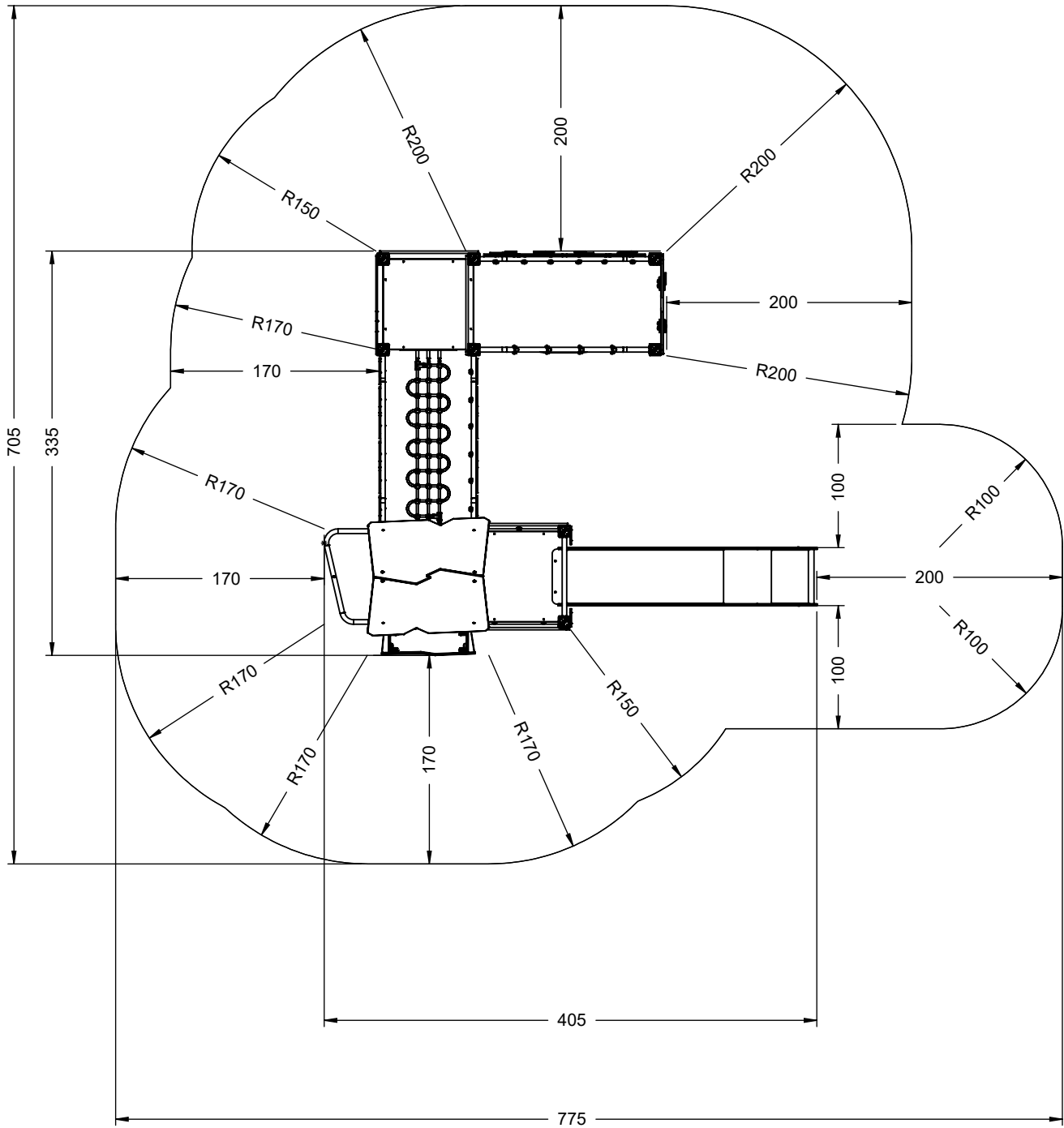




[cm]



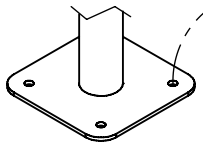
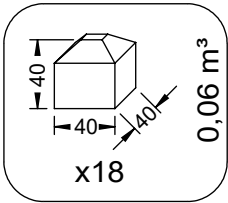
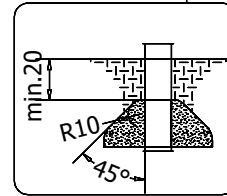
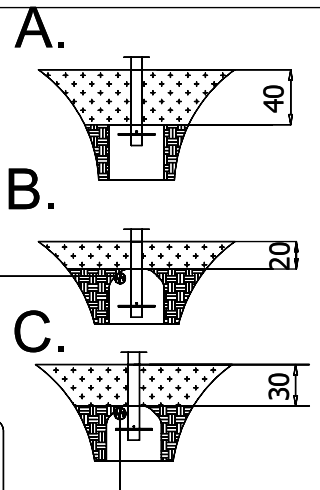
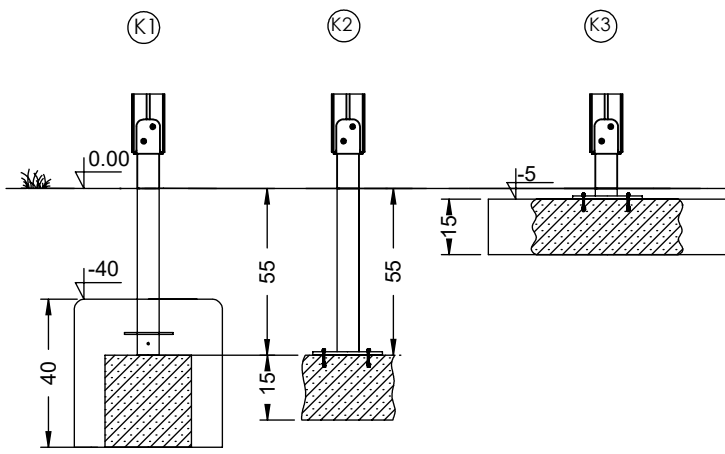
vinci
play

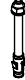

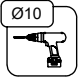
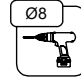




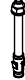

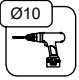



[cm]

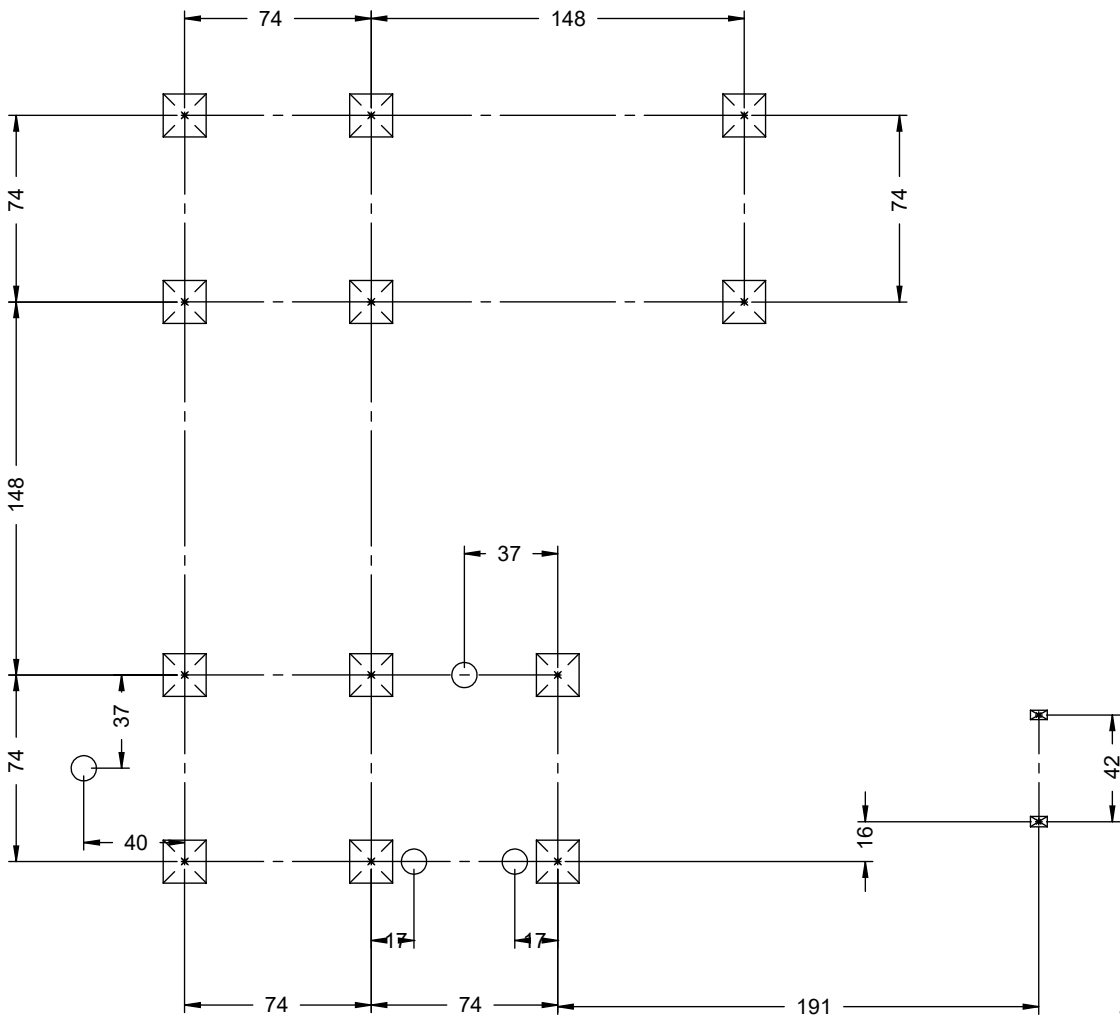


vinci
play



54x M10x120 (K2)	4x M8x120 (K2)
56x M10x120 (K3)	2x M8x120 (K3)
	
	
NOT INCLUDED	NOT INCLUDED
	

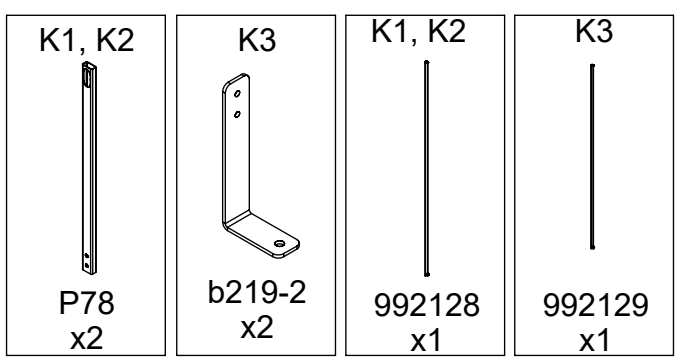
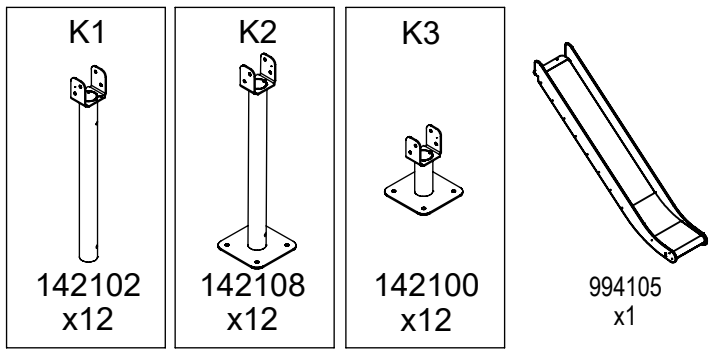
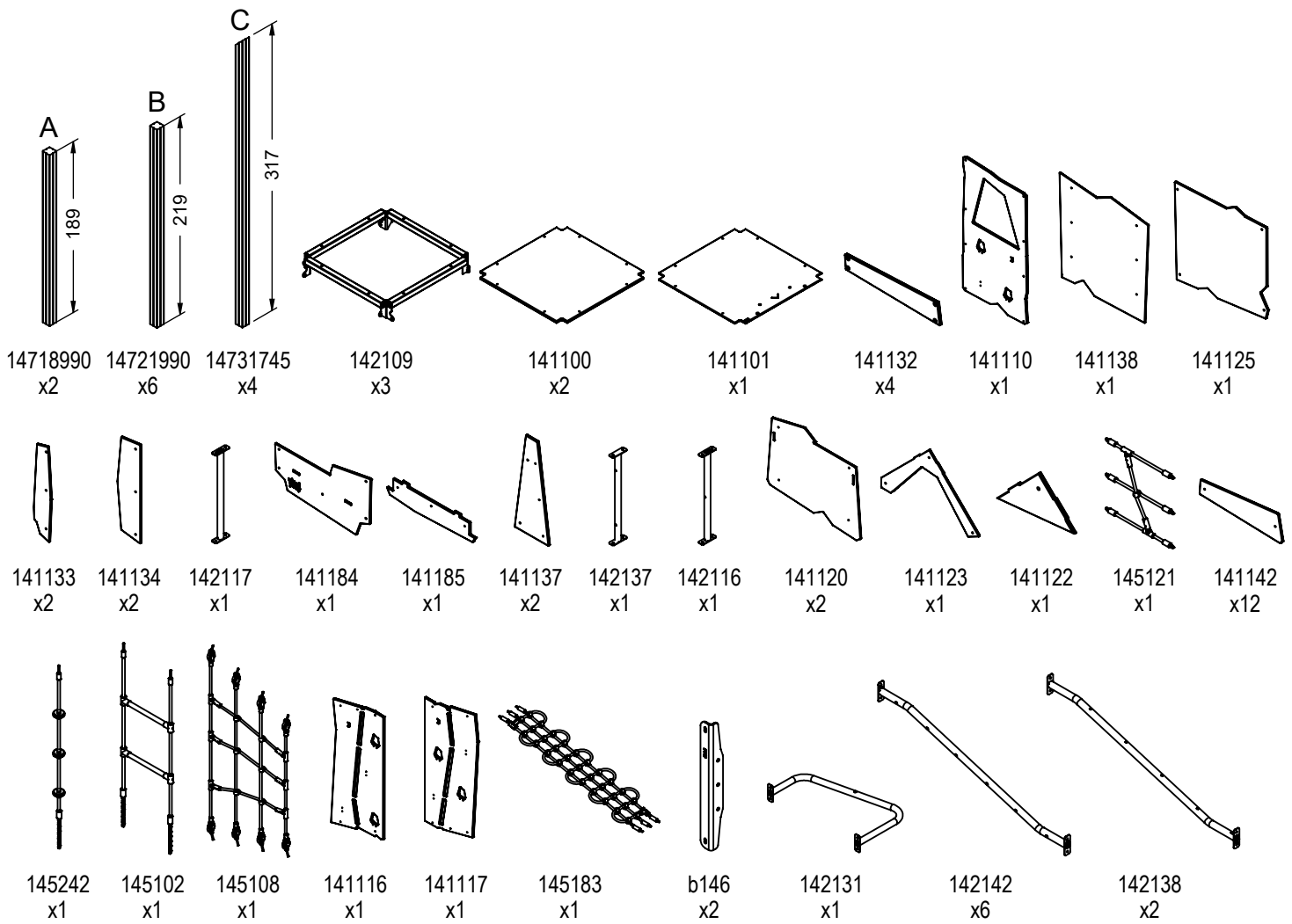
54x M10x120 (K2)	4x M8x120 (K2)
56x M10x120 (K3)	2x M8x120 (K3)
	
	
NOT INCLUDED	NOT INCLUDED
	



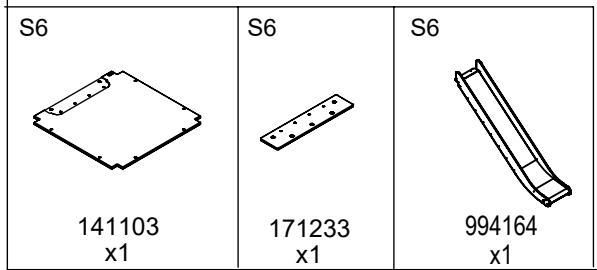
[cm]

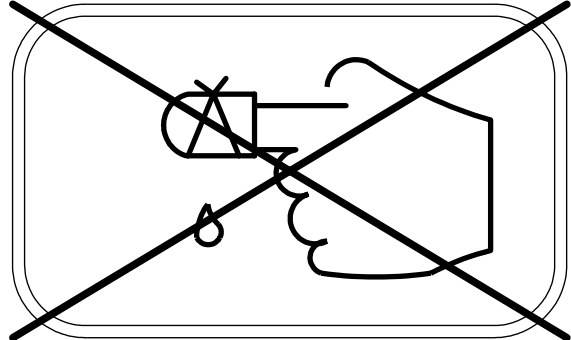
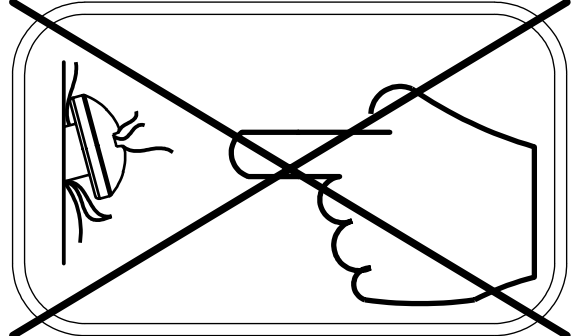
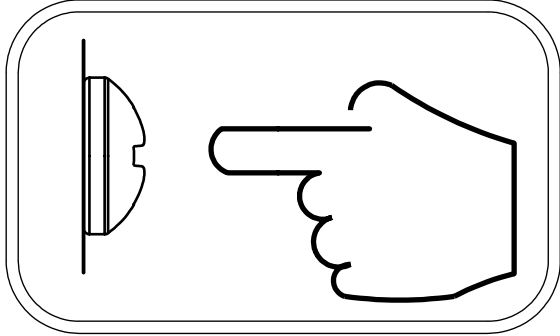
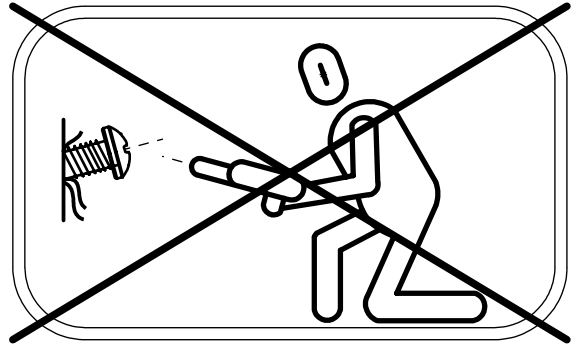
 x2	7,5h			48h	K1  x18 >0,06m³	K2, K3  x18 >0,02m³
--	------	---	---	-----	--	--

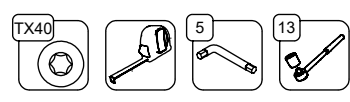
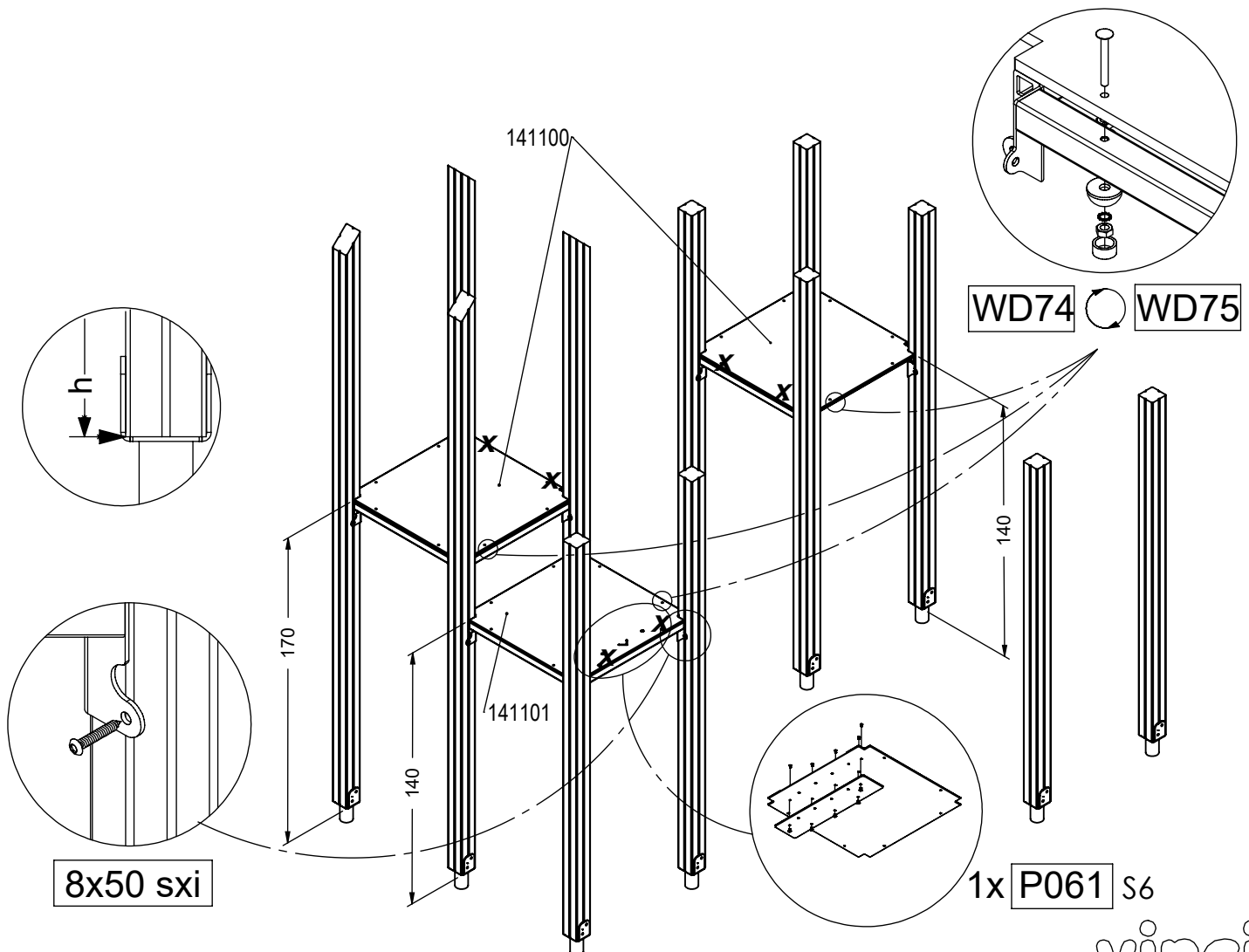
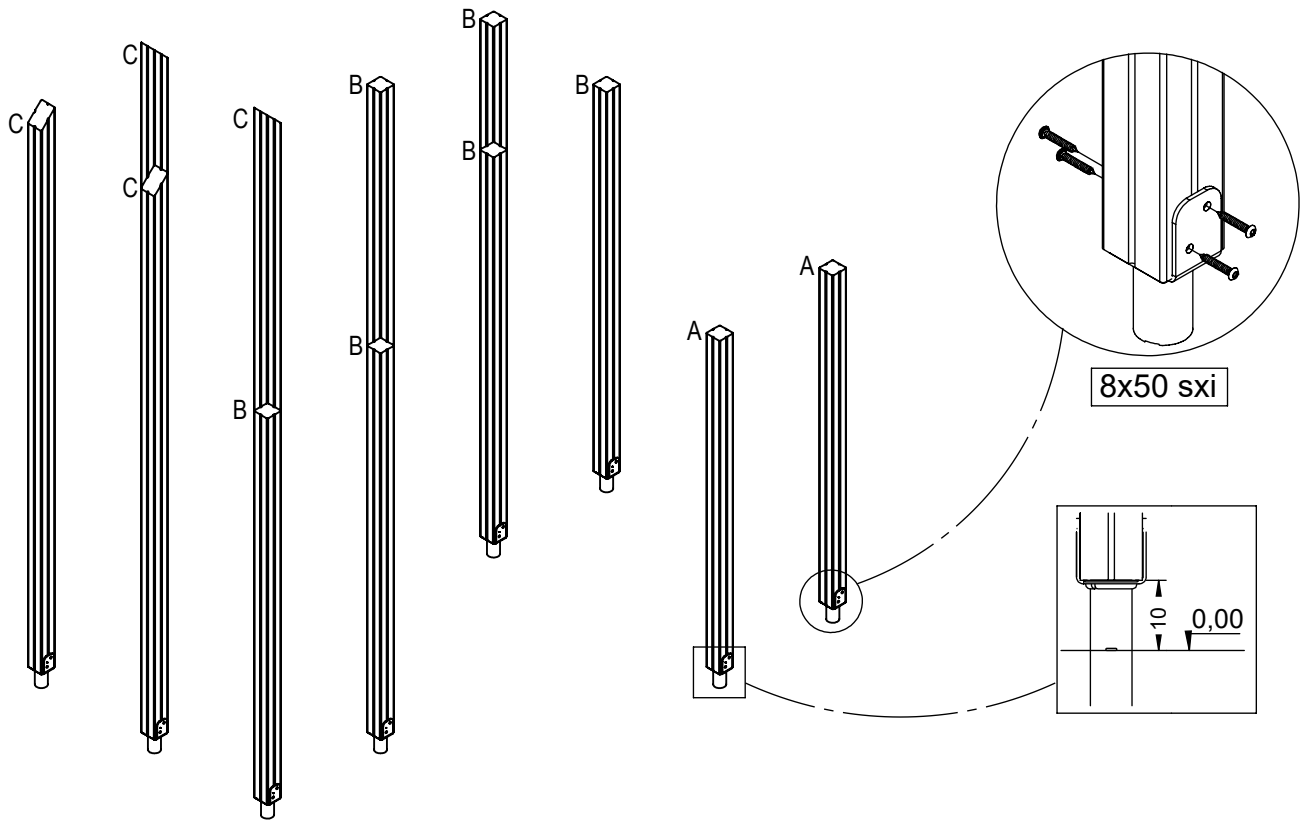
vinci play



		PLYWOOD/HDPE		HPL	
188x	8x50 sxi	3x	WD74	3x	WD75
3x	WD50	1x	WD113 _(S6)	1x	WD114 _(S6)
1x	E34 _(K1, K3)	8x	WD15	8x	WD16
1x	E35 _(K2)	6x	WD35	6x	WD36
1x	E39	1x	WD28 _(S1)	1x	WD29 _(S1)
8x	WD1	2x	WD63	2x	WD64
1x	V001	1x	WD40	1x	WD41
2x	WD14-4	1x	WD112	1x	WD137
2x	WD79	1x	WD33	1x	WD34
1x	WD66	1x	WD65	1x	WD90
1x	WD14-2	1x	WD87	1x	WD88
3x	WD52			1x	P061 s6
1x	GL _(K2, K3)				
1x	SGL				
1x	WD14-1				
1x	E38				

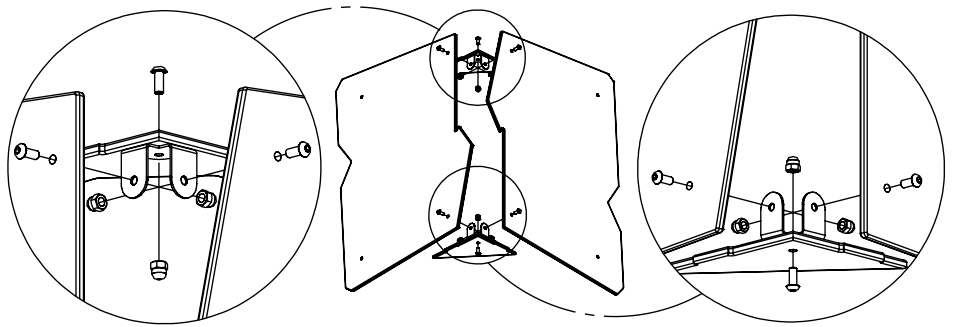






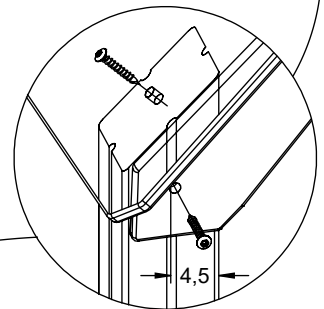
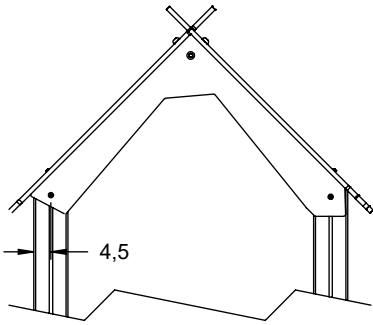
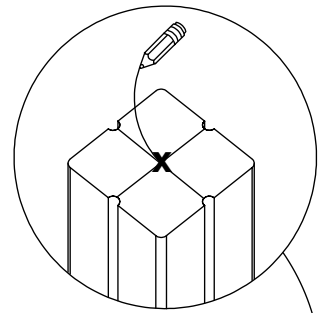
vinci play

[cm]

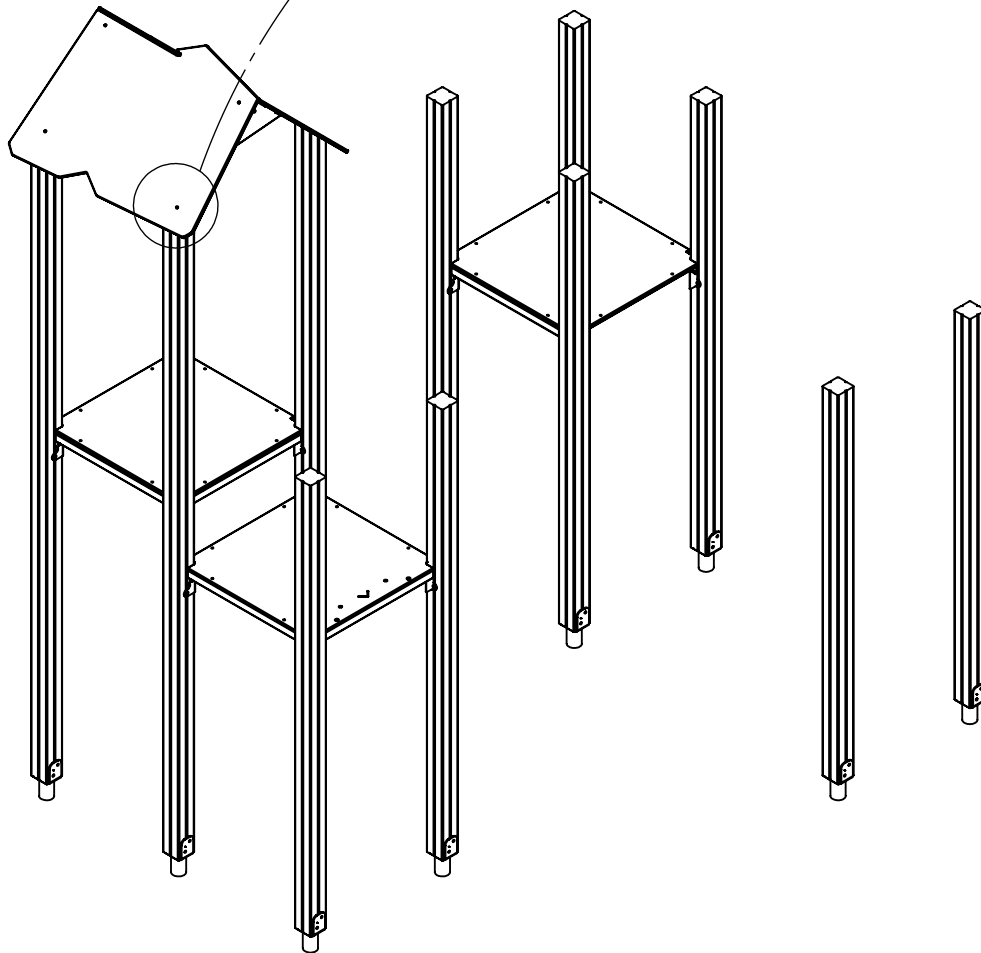


PLYWOOD
WD33

HPL
WD34



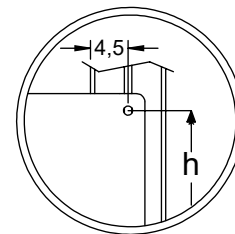
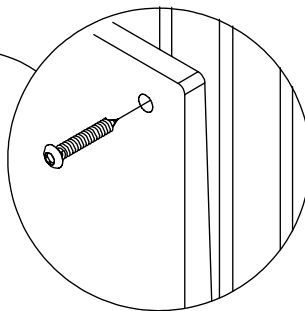
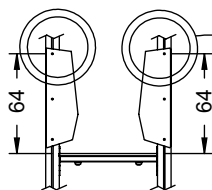
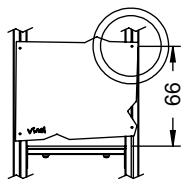
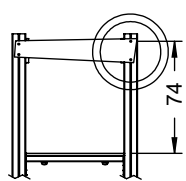
8x50 sxi



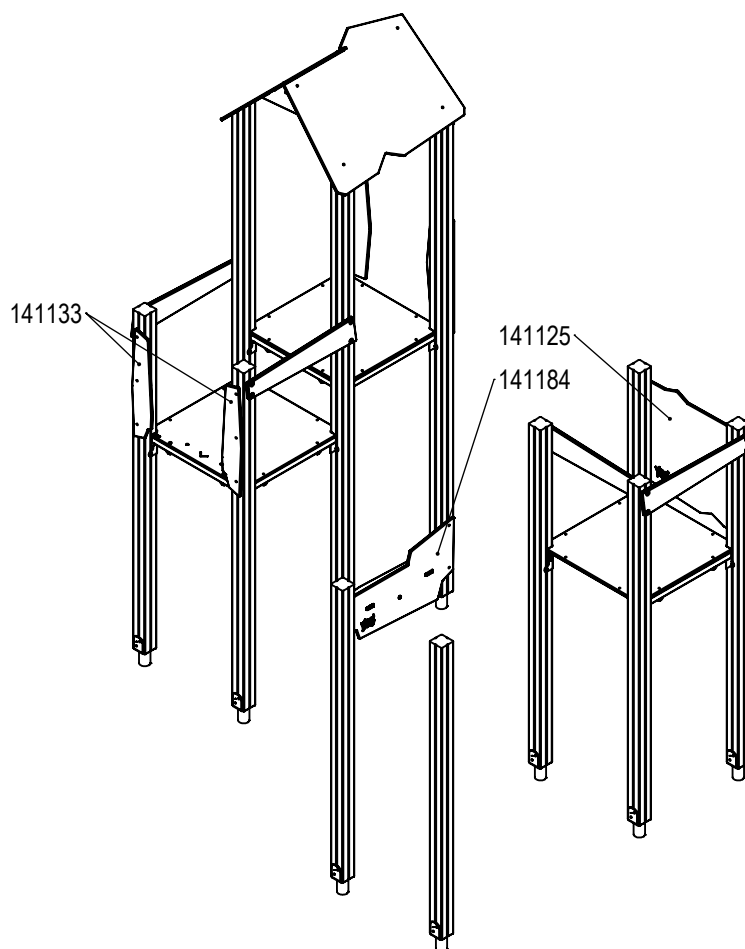
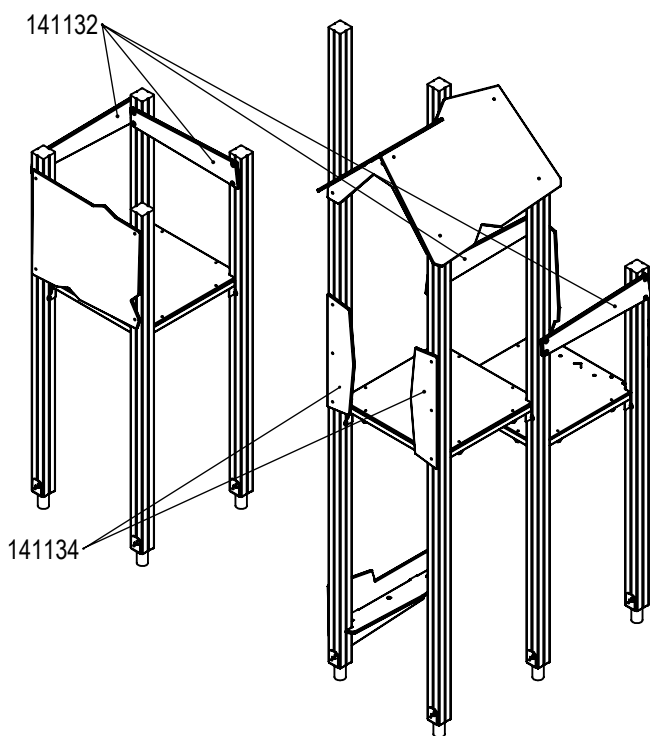
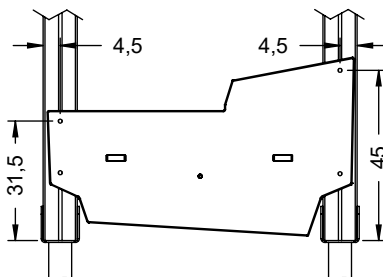
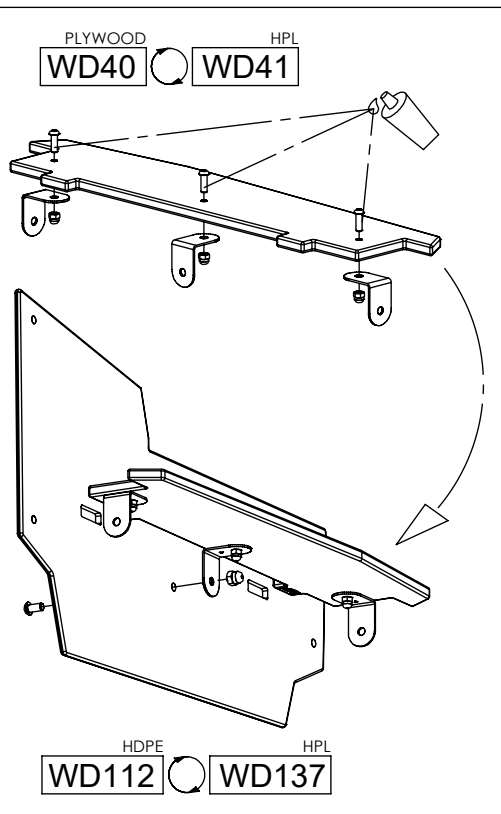
[cm]



vinci
play



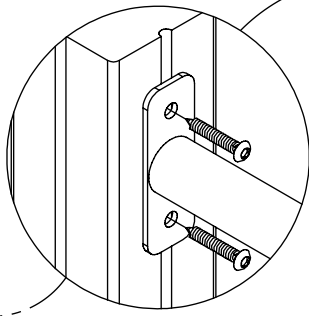
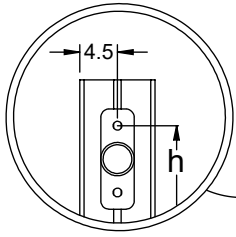
8x50 sxi



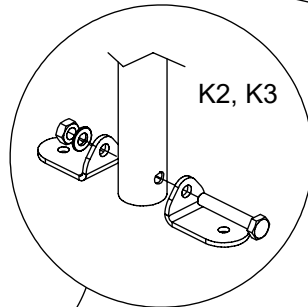
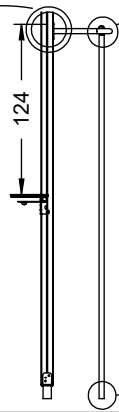
[cm]



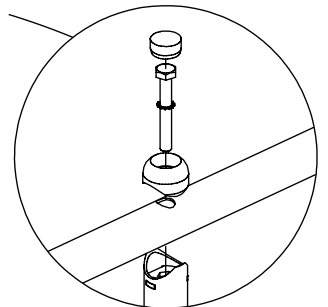
vinci
play



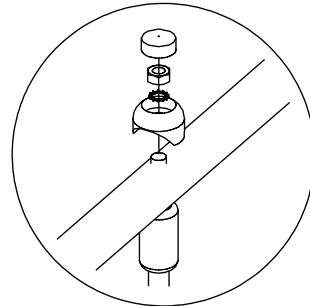
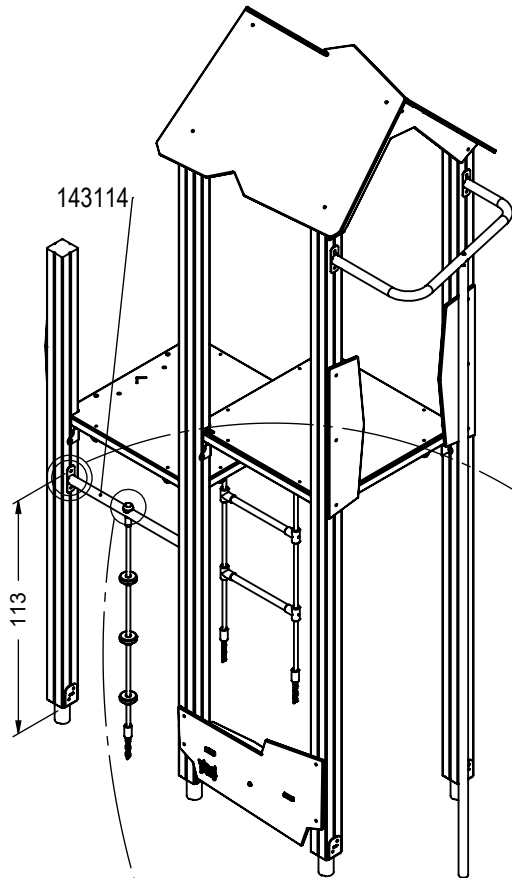
8x50 sxi



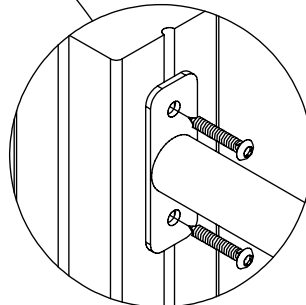
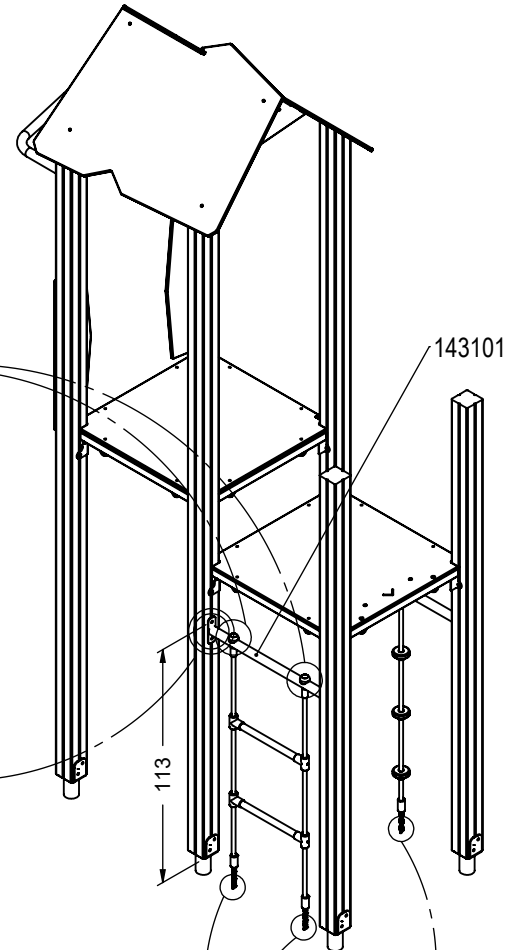
E38



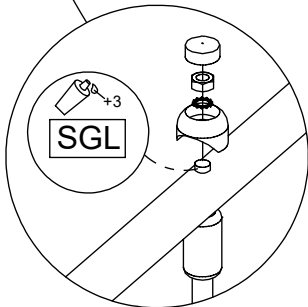
E39



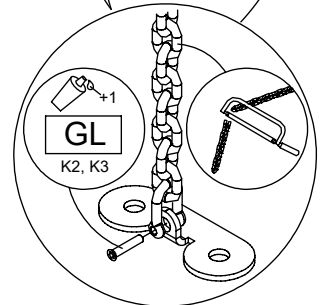
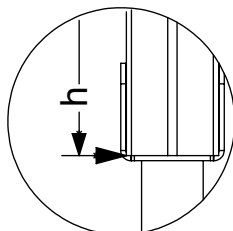
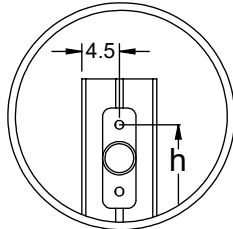
WD14-2



8x50 sxi



WD14-1

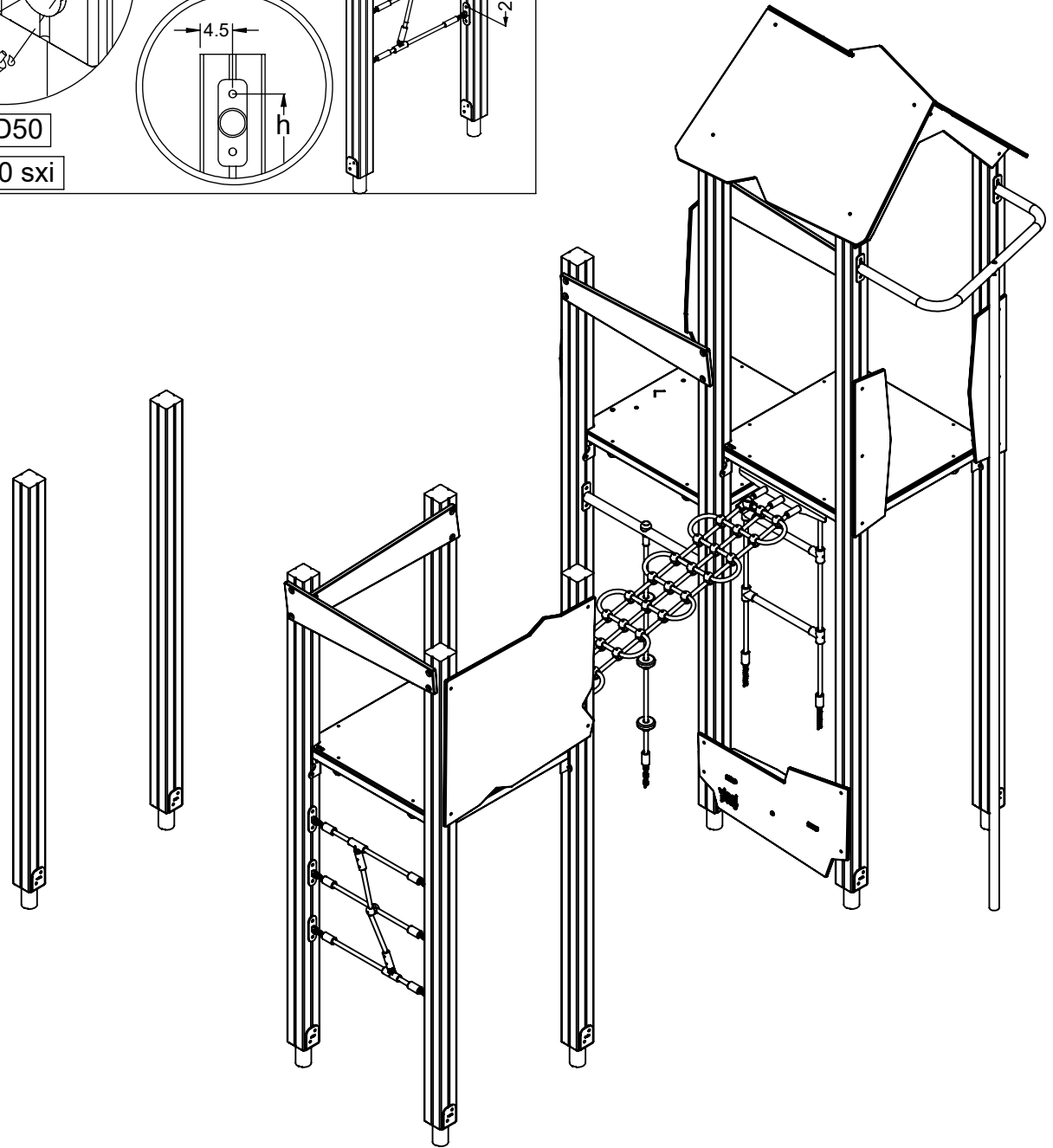
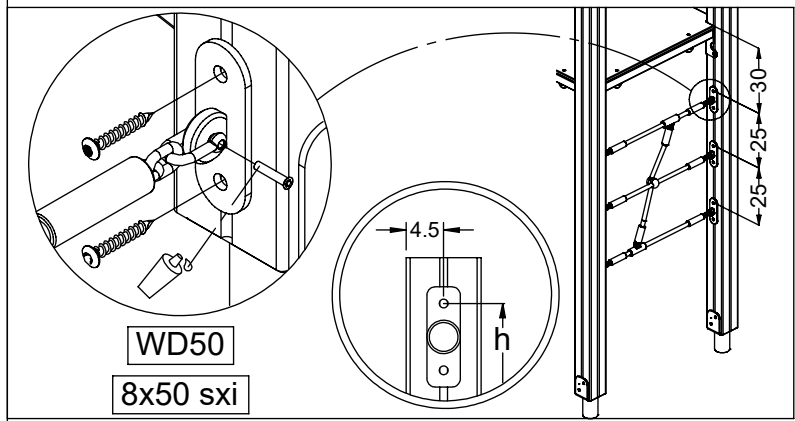
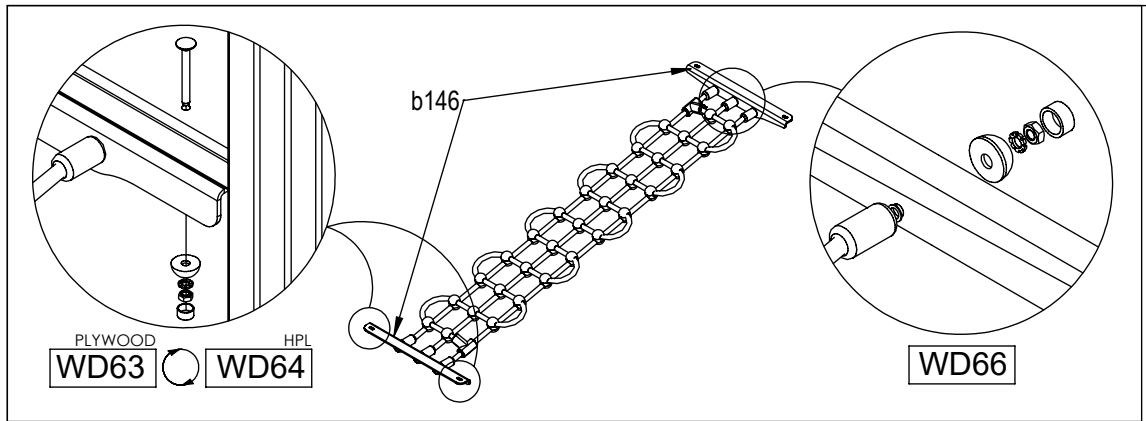


WD52

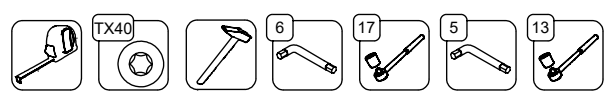
[cm]



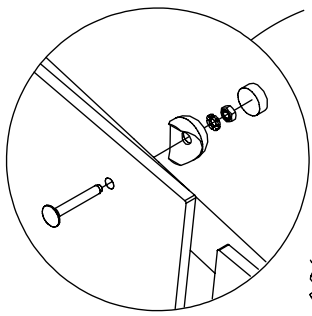
vinci
play



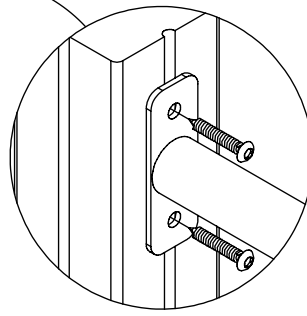
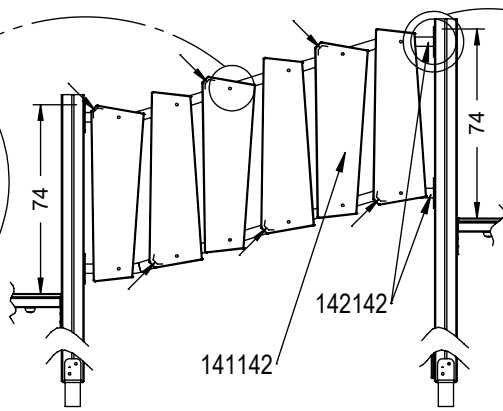
[cm]



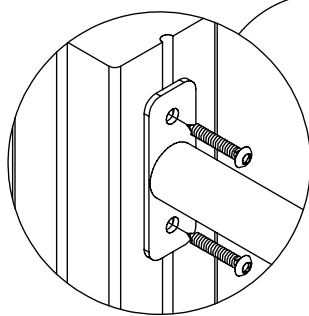
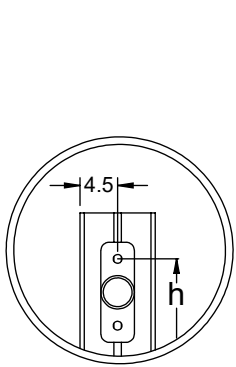
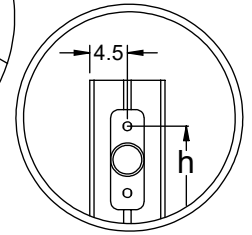
vinci
play



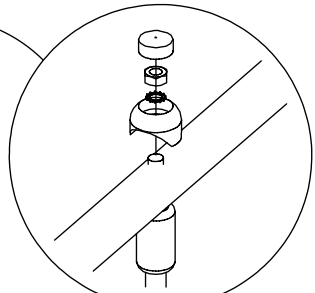
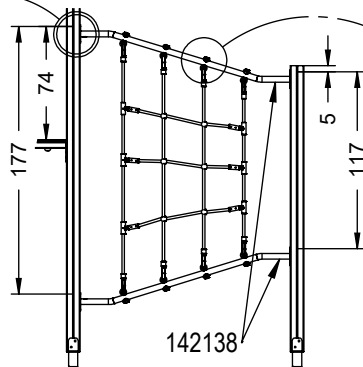
WD79



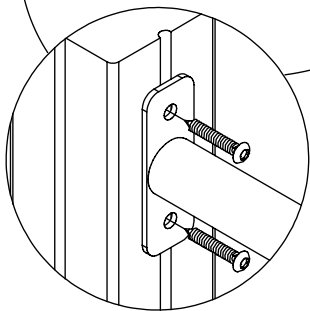
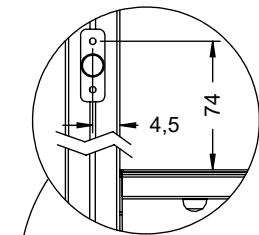
8x50 sxi



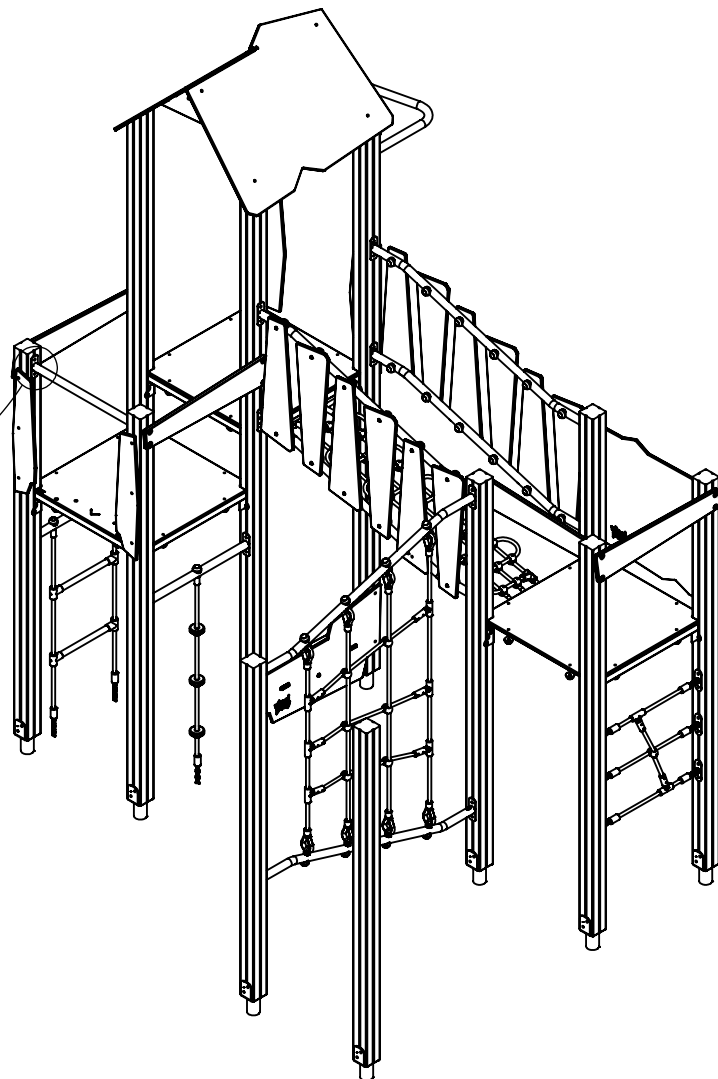
8x50 sxi



WD14-4



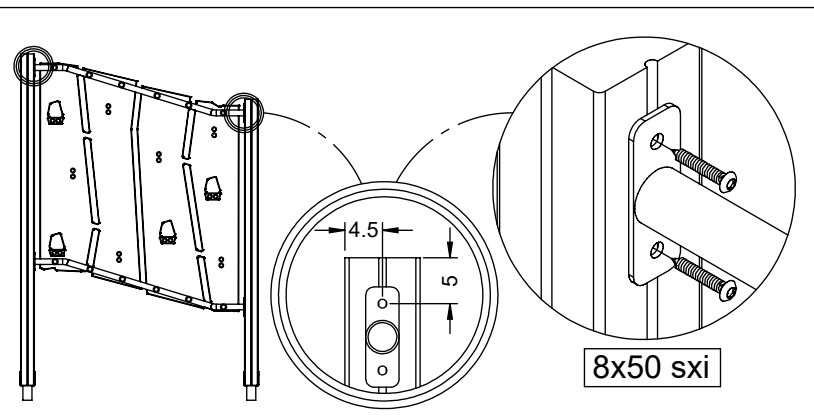
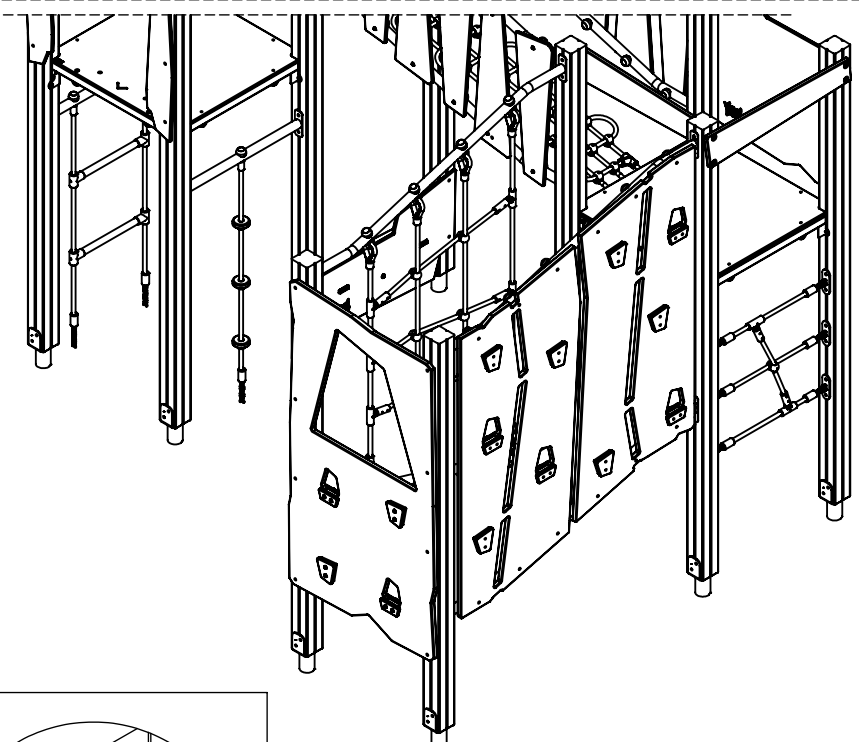
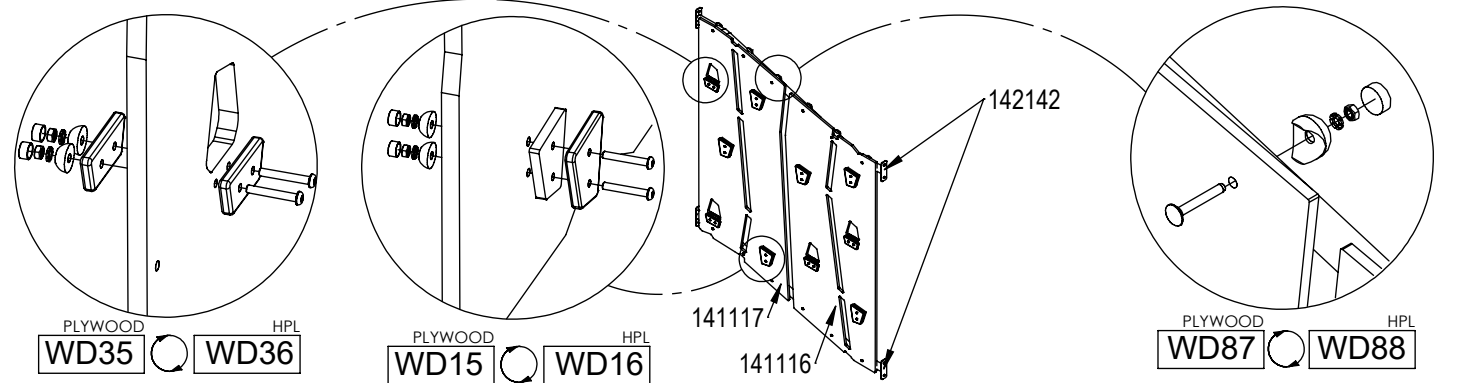
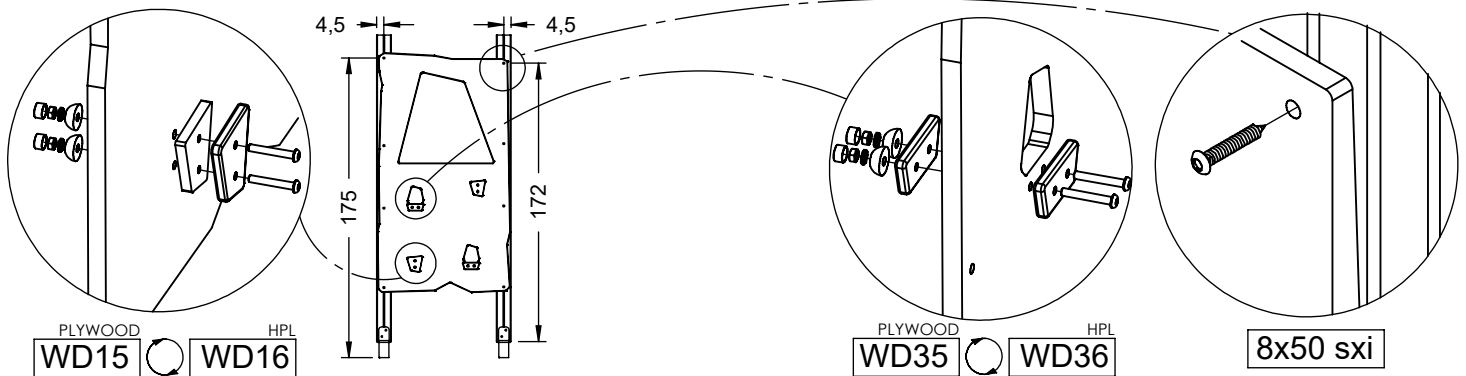
8x50 sxi



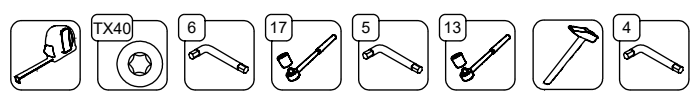
[cm]



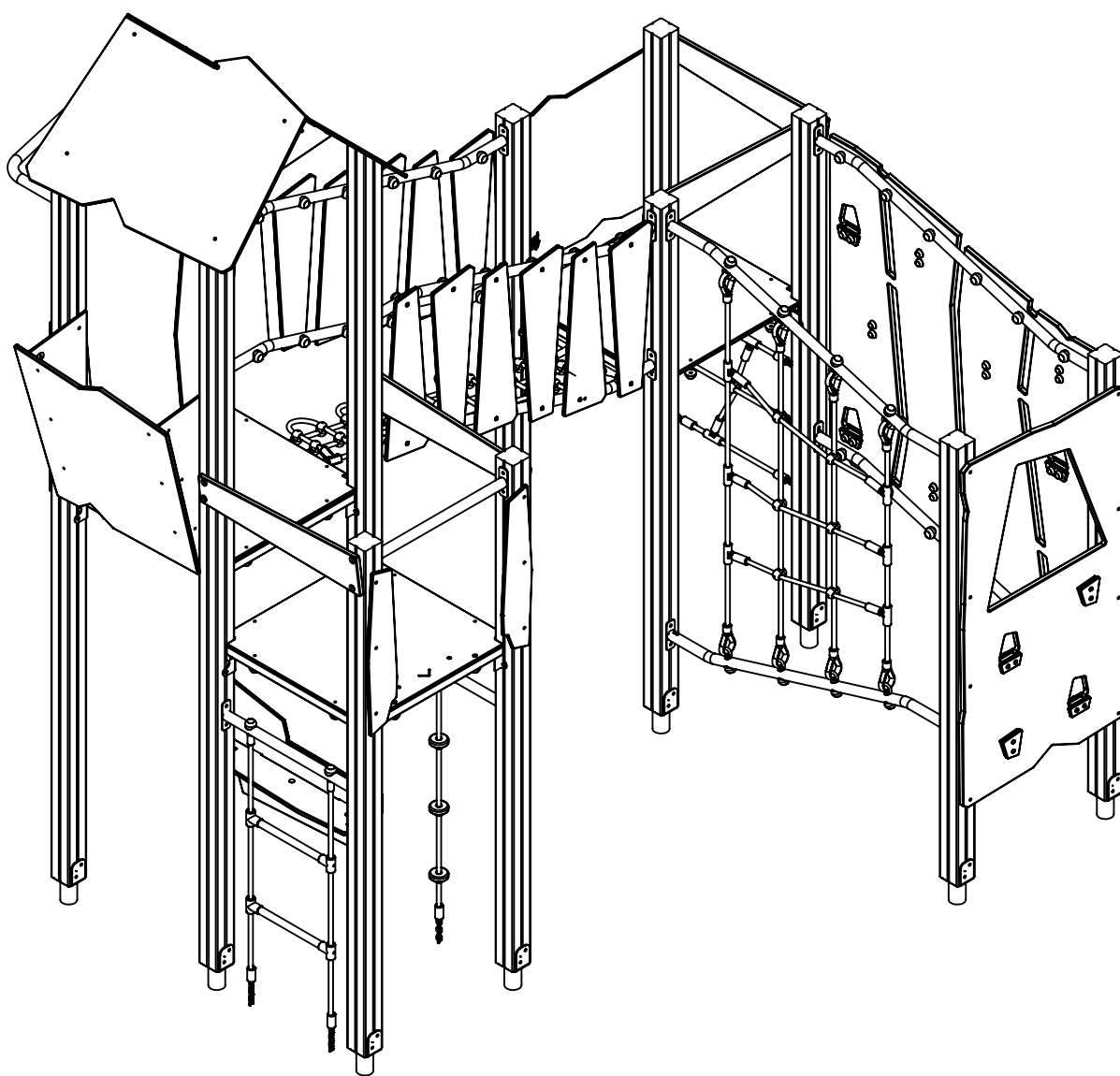
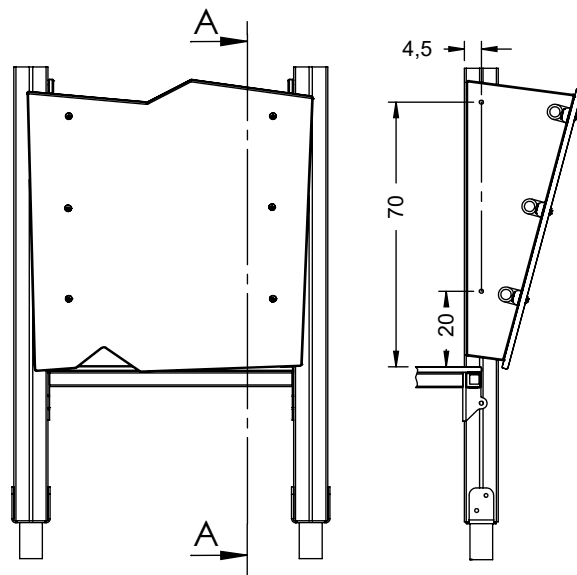
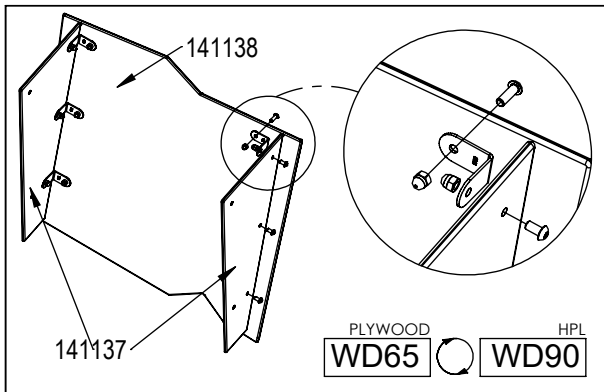
vinci
play



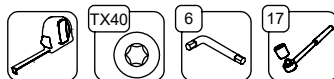
[cm]



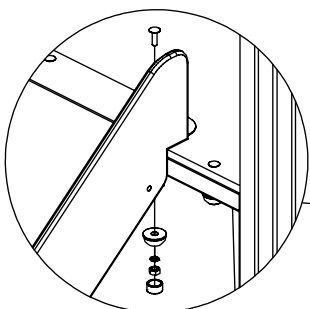
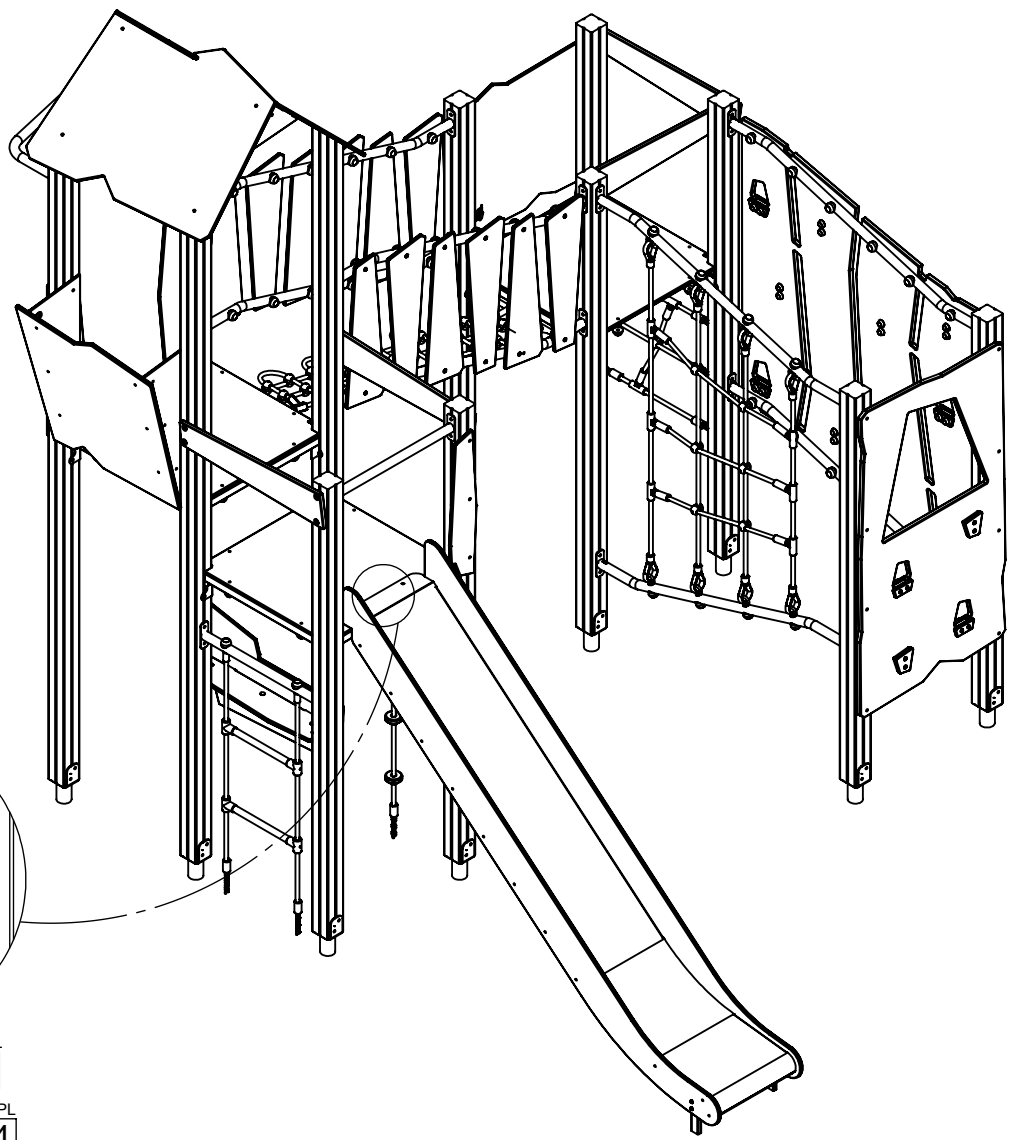
vinci
play



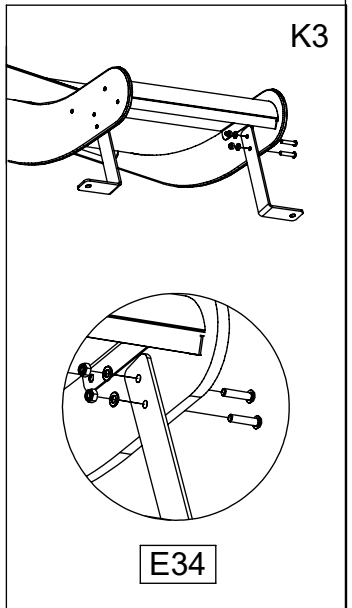
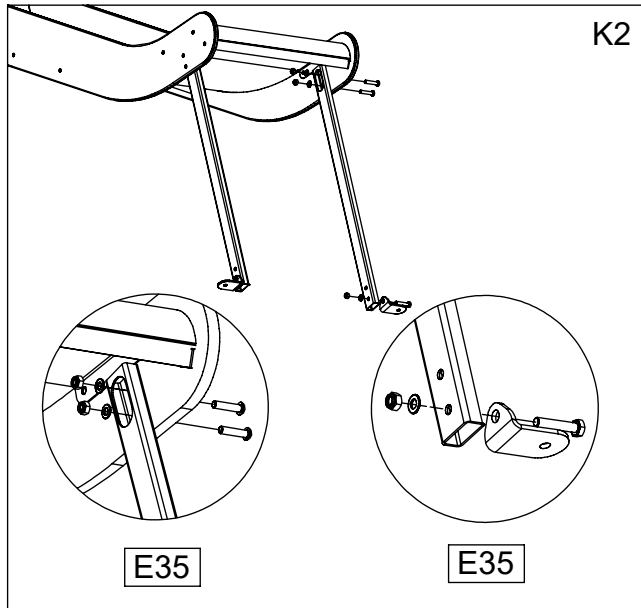
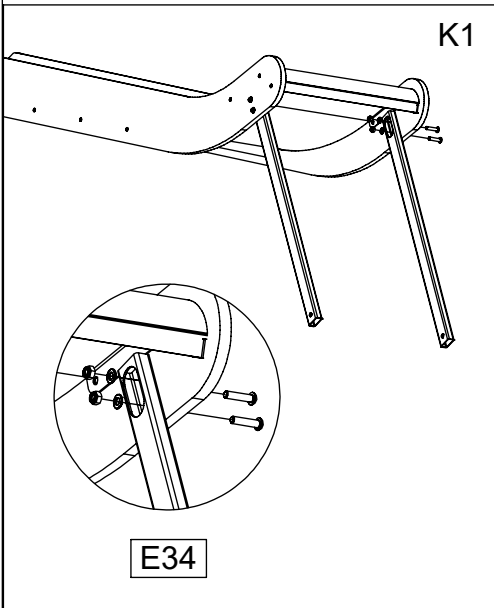
[cm]



vinci
play



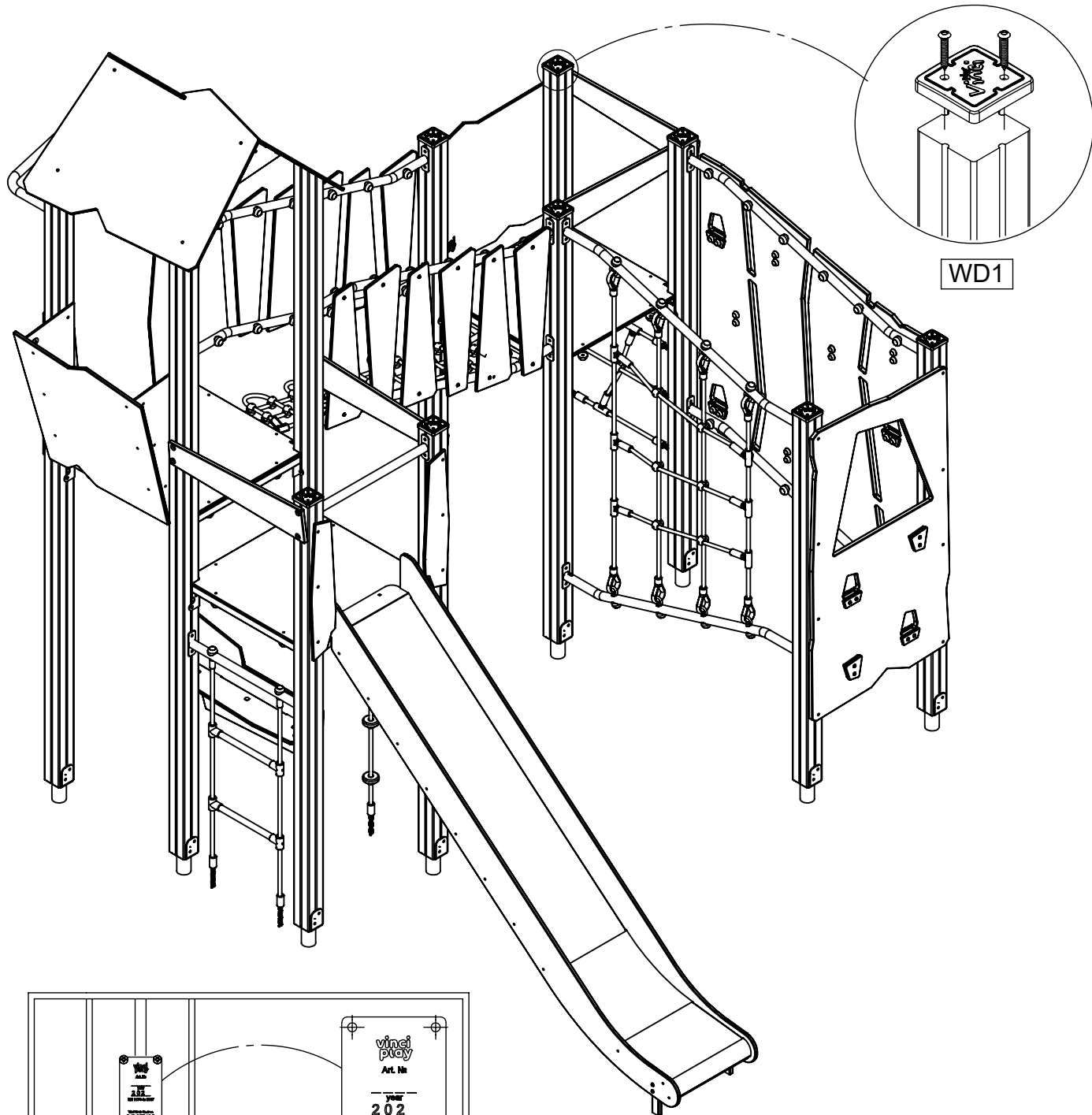
PLYWOOD HPL
WD28 S1 **WD29**
 PLYWOOD HPL
WD113 S6 **WD114**



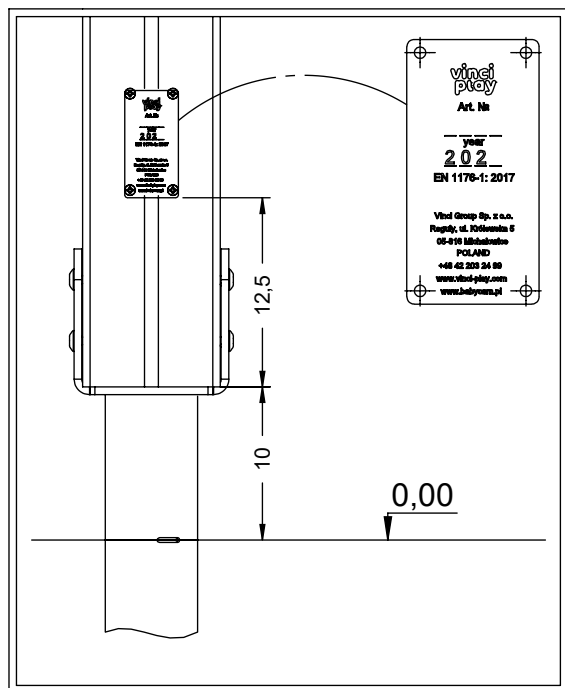
[cm]



vinci
play



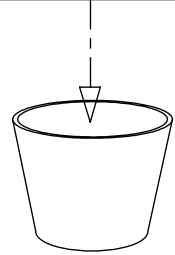
WD1



V001

Part No:
000000-00000

000000-00000



[cm]



vinci
 play