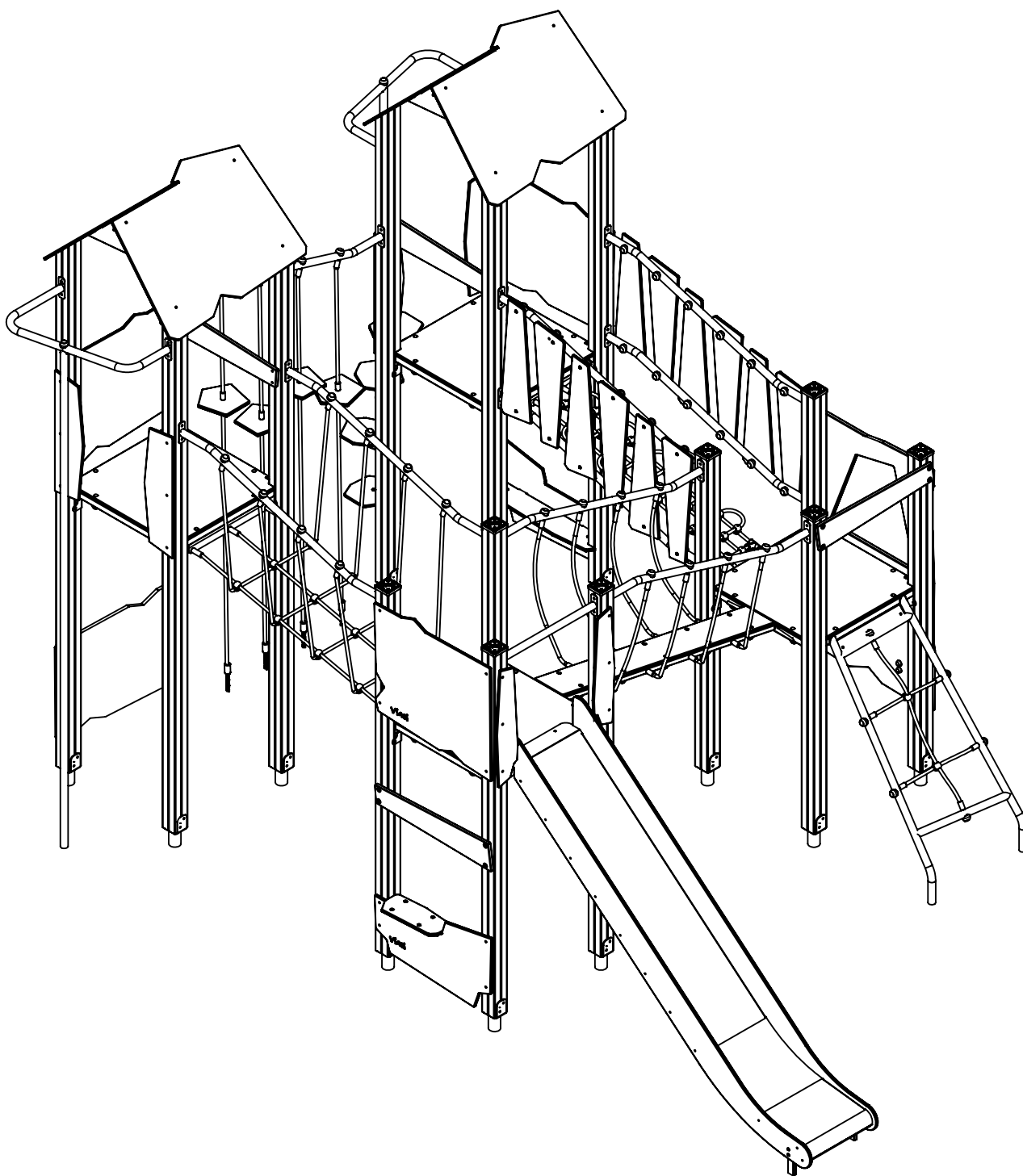
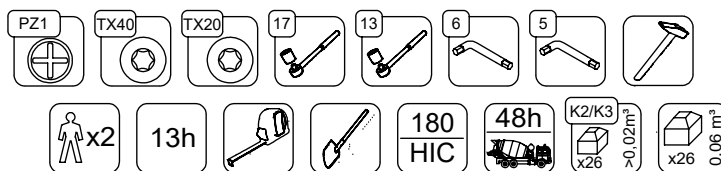


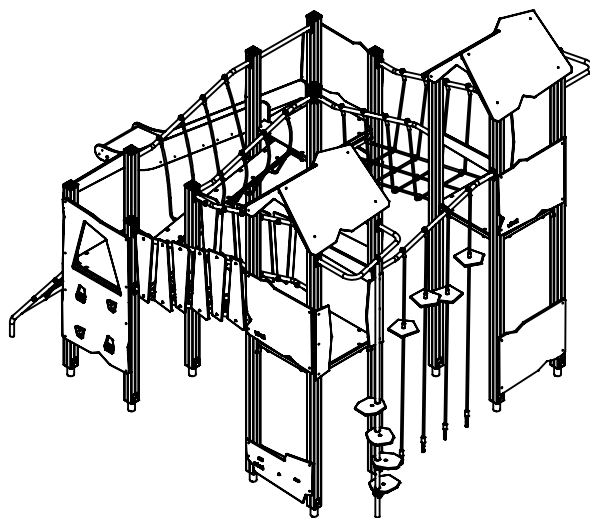
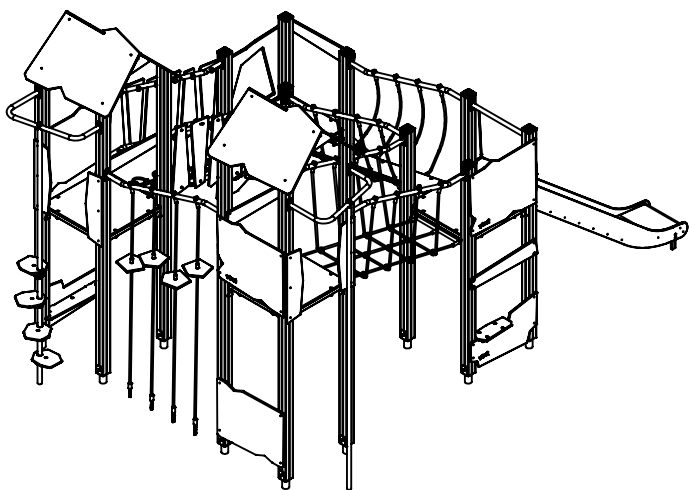
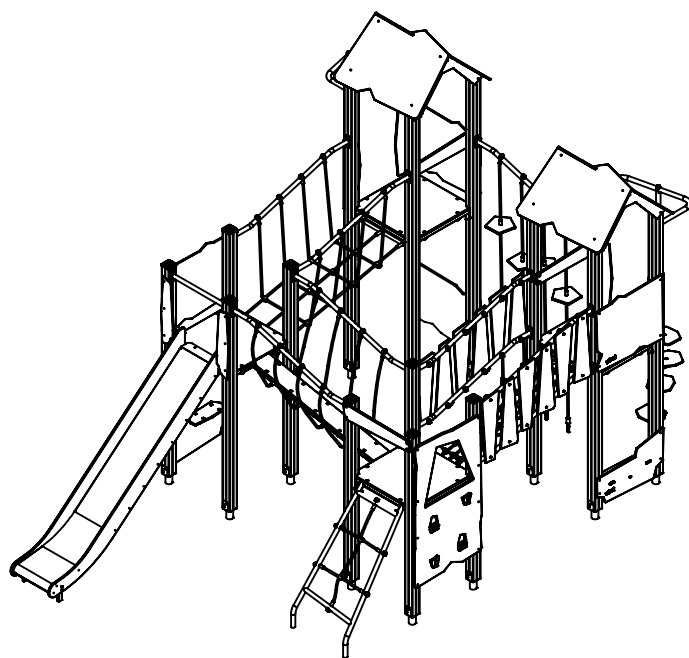
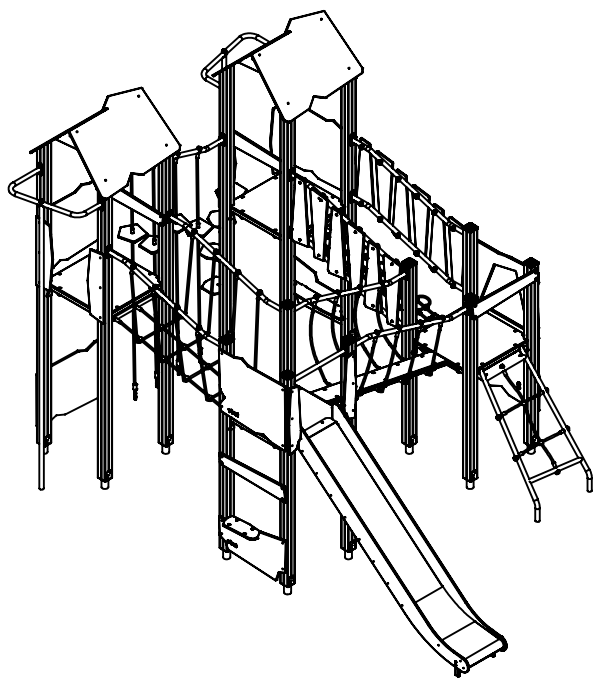
WD1411



v014
10.05.2022
D. P.
[cm]

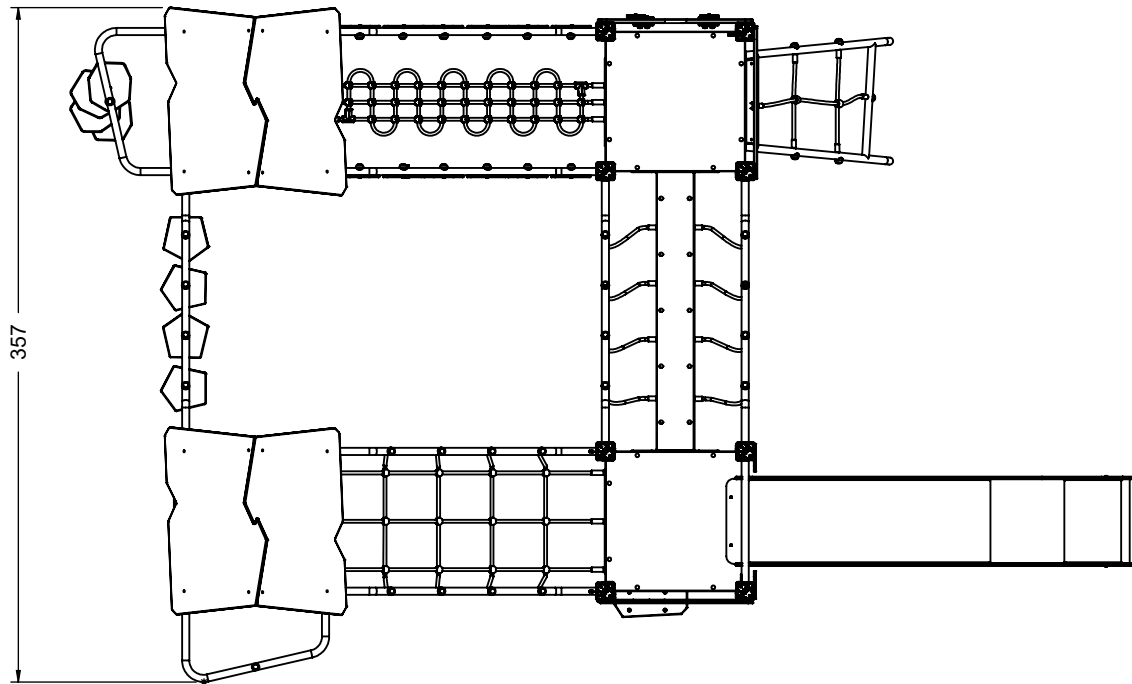
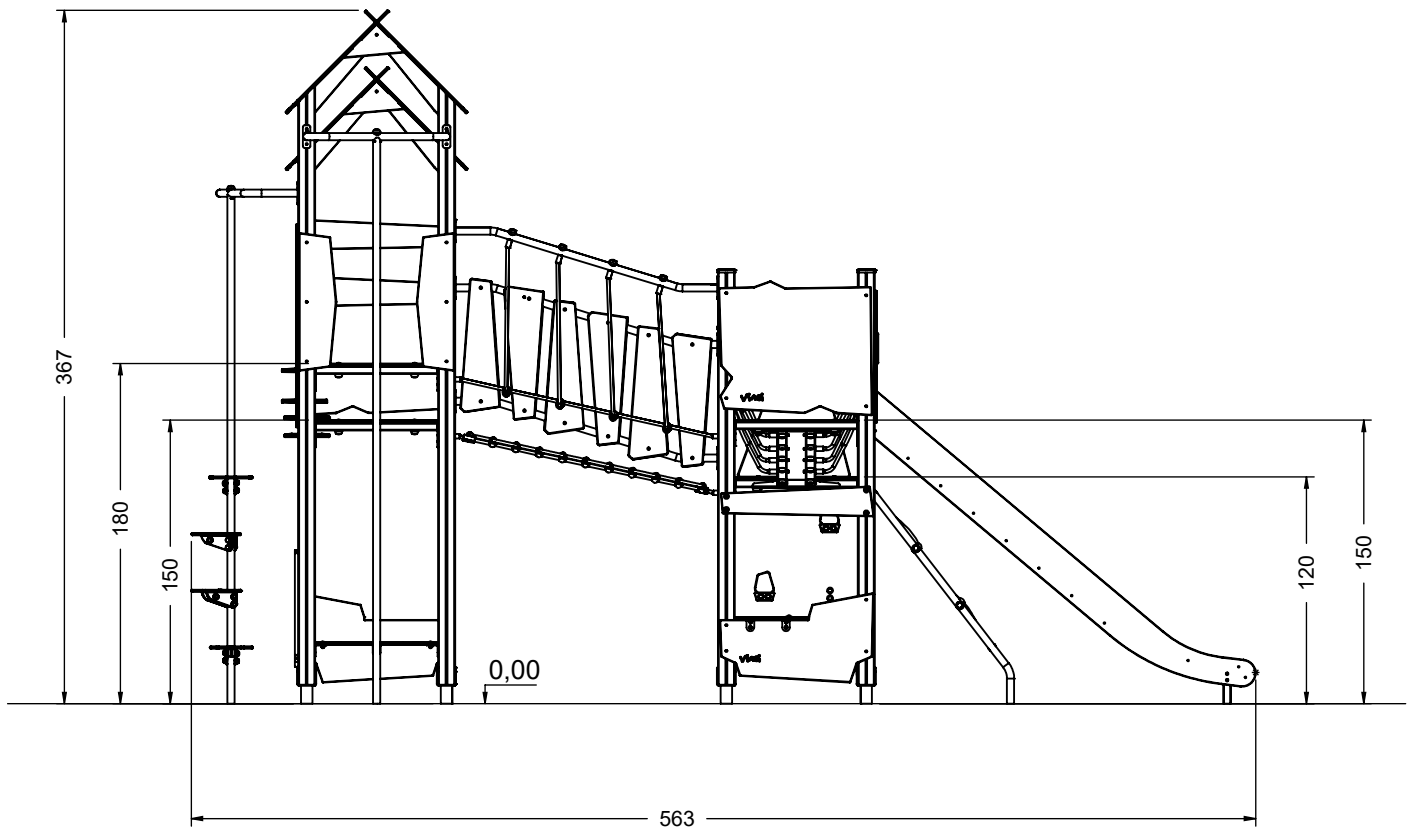


vinci
play



[cm]

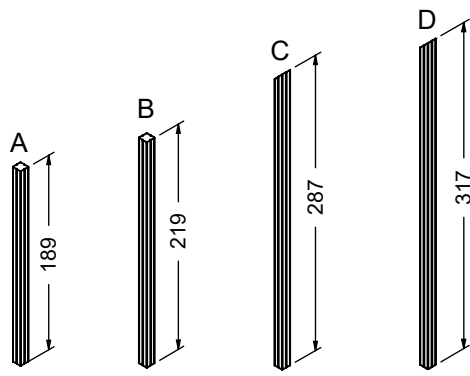
vinci
play



[cm]



vinci
play

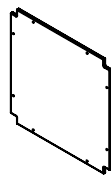


14718990
x4

14721990
x4

14728745
x4

14731745
x4



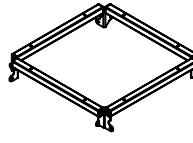
141100
x3



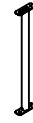
141101
x1



b146-1
x2



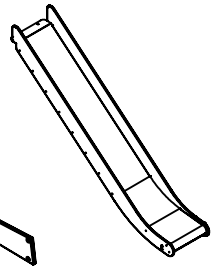
142109
x4



142117
x1



141132
x4



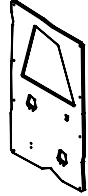
994105
x1



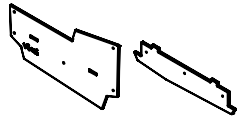
141133
x2



141134
x4



141110
x1



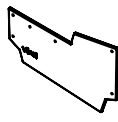
141184
x1



141185
x1



141136
x1



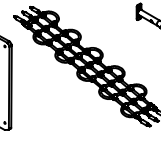
141135
x1



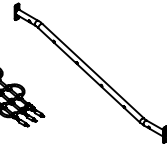
141125
x3



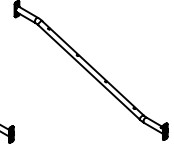
141148
x1



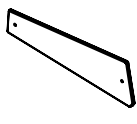
145183
x1



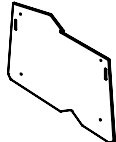
142142
x4



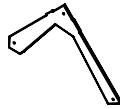
142138
x5



141142
x12



141120
x4



141123
x2



141122
x2



142119
x1



141105
x1



145167
x2



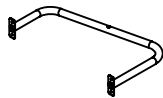
145168
x2



145169
x2



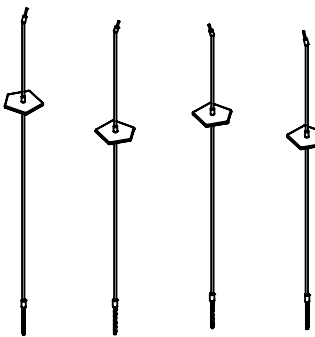
145170
x2



142131
x2



B144
x2

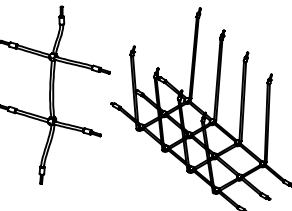


145203
x1

145204
x1

145205
x1

145206
x1



145129
x1

145141
x1

K1, K2



992126
x1

K3



992127
x1

K1, K2



992128
x1

K3



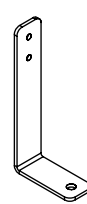
992129
x1

K1, K2



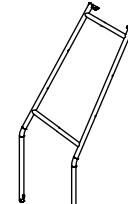
P78
x2

K3



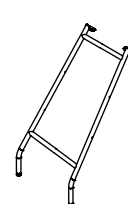
b219-2
x2

K1, K2



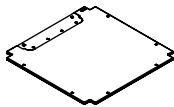
142104
x1

K3



142151
x1

S6



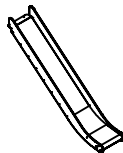
141103
x1

S6



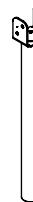
171233
x1

S6



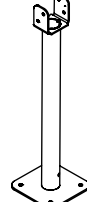
994164
x1

K1



142102
x16

K2



142108
x16

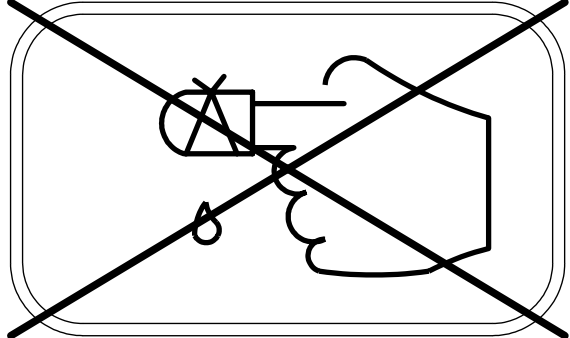
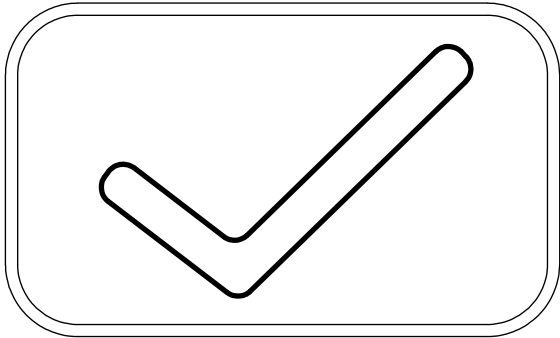
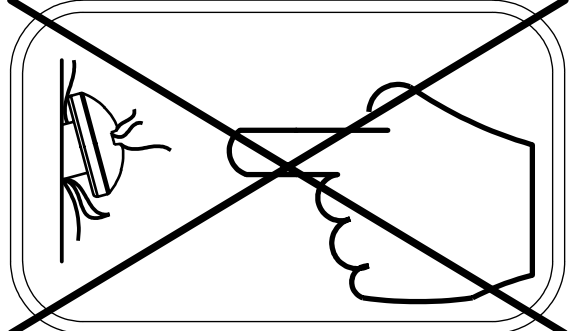
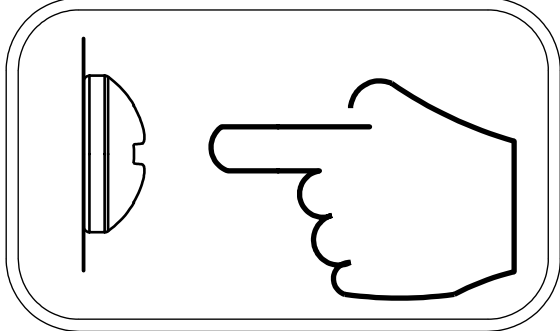
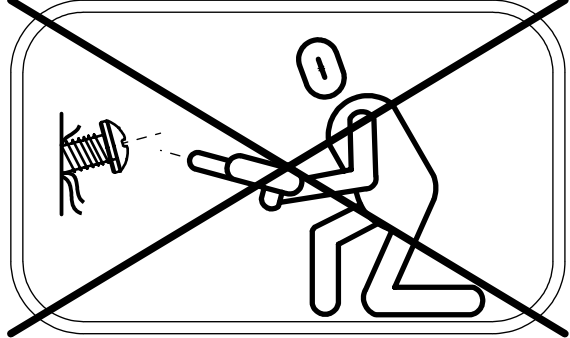
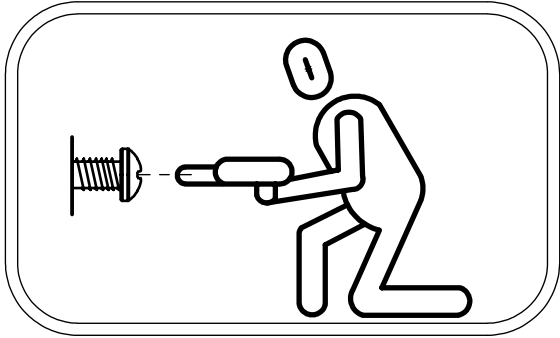
K3

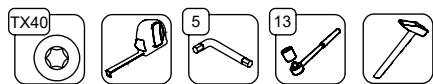
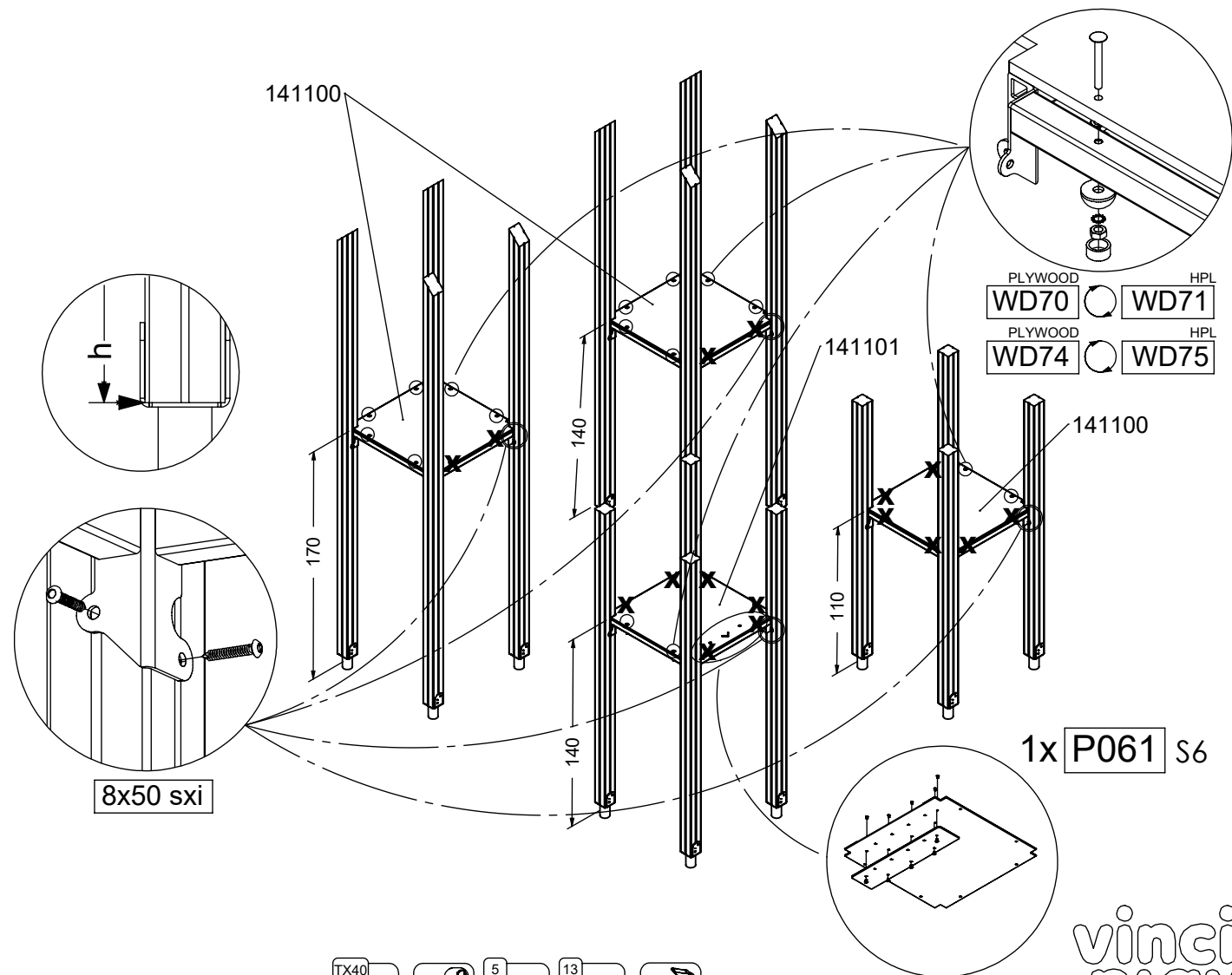
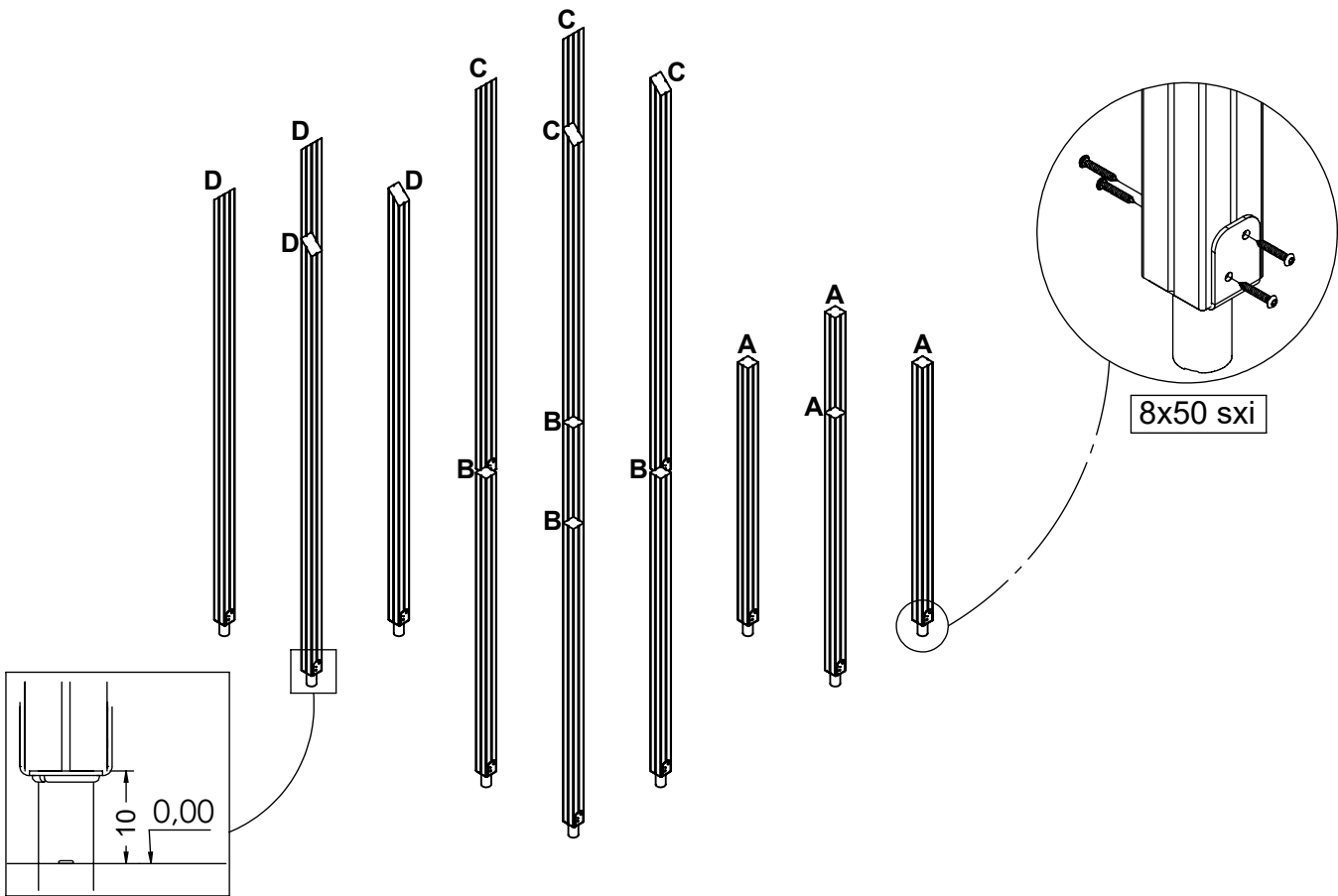


142100
x16

vinci
play

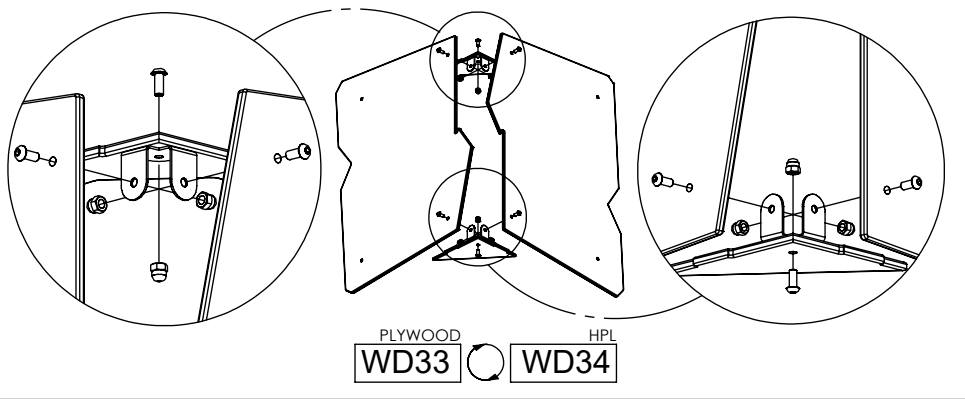
		PLYWOOD / HDPE		HPL	
224x	8x50 sxi	2x	WD74	2x	WD75
1x	E34 _(K1,K3)	2x	WD70	2x	WD71
1x	E35 _(K2)	2x	WD33	2x	WD34
2x	E39	1x	WD28 _(S1)	1x	WD29 _(S1)
2x	E38 _(K2,K3)	1x	WD113 _(S6)	1x	WD114 _(S6)
1x	E88 _(K2,K3)	2x	WD15	2x	WD16
1x	V001	2x	WD35	2x	WD36
8x	WD1	1x	WD40	1x	WD41
5x	WD14-4	1x	WD112	1x	WD137
4x	WD67	1x	WD42	1x	WD43
4x	WD68	5x	WD63	5x	WD64
2x	WD14-3	1x	CE6	1x	CL6
4x	WD52	1x	PS52	1x	PH52
1x	GL _(K2,K3)			1x	P061 s6
1x	SGL				
2x	WD66				
2x	WD79				
1x	E10				



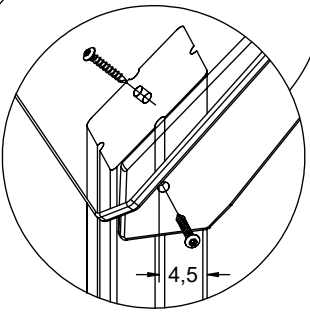
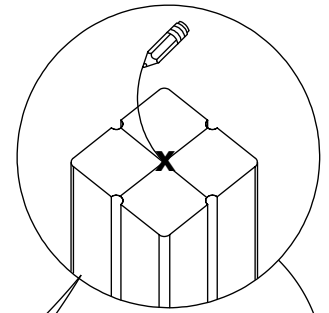


[cm]

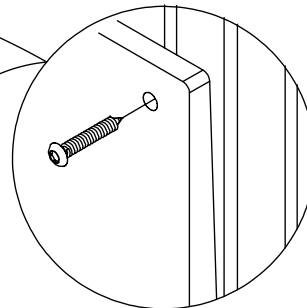
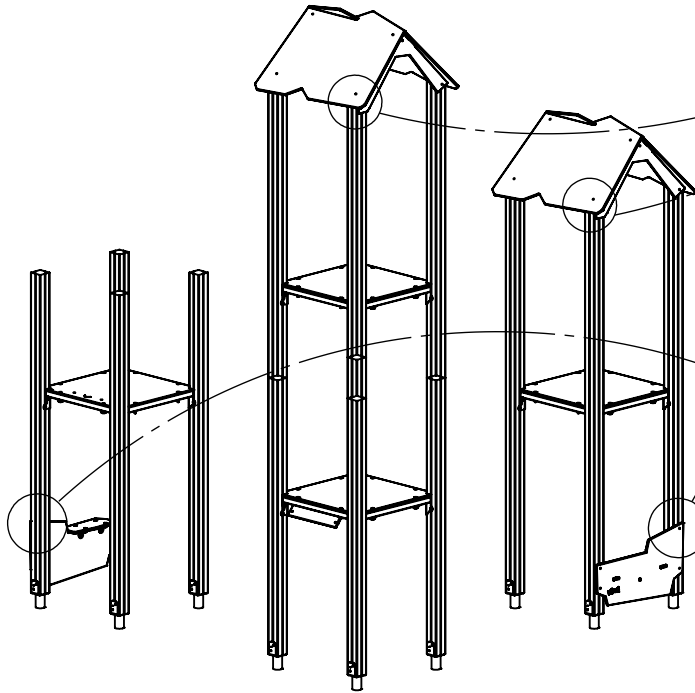
vinci
play



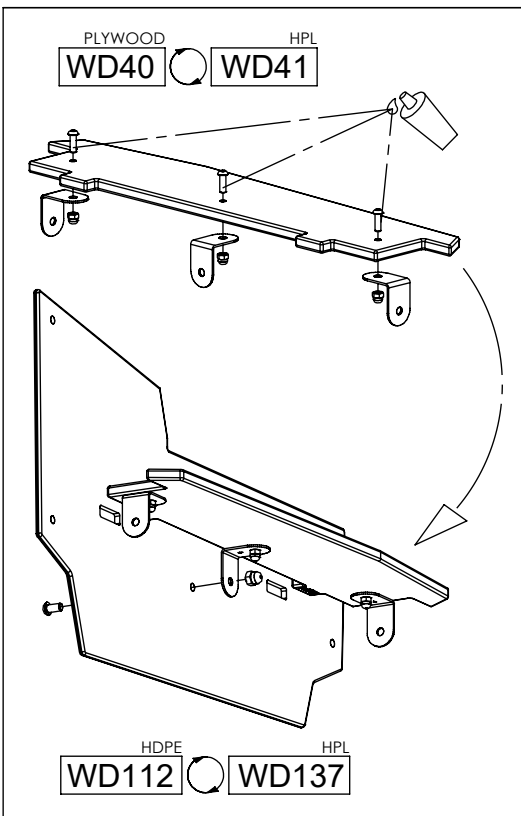
PLYWOOD
WD33 ○ HPL
WD34



8x50 sxi

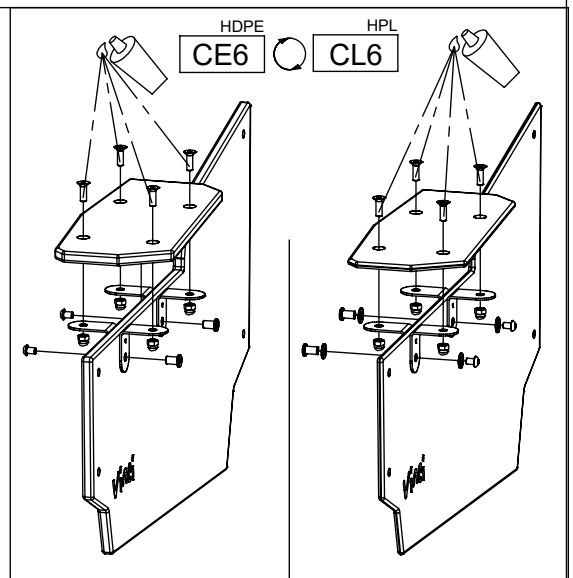
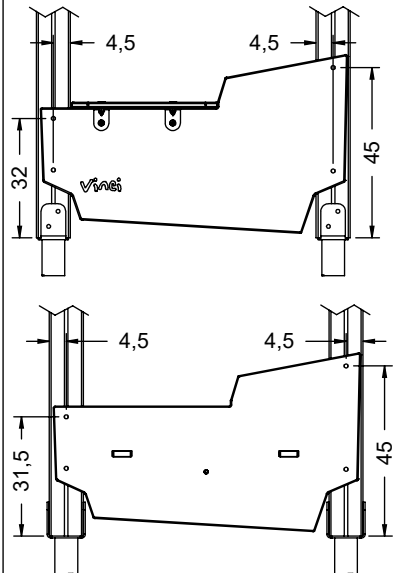


8x50 sxi



PLYWOOD
WD40 ○ HPL
WD41

HDPE
WD112 ○ HPL
WD137

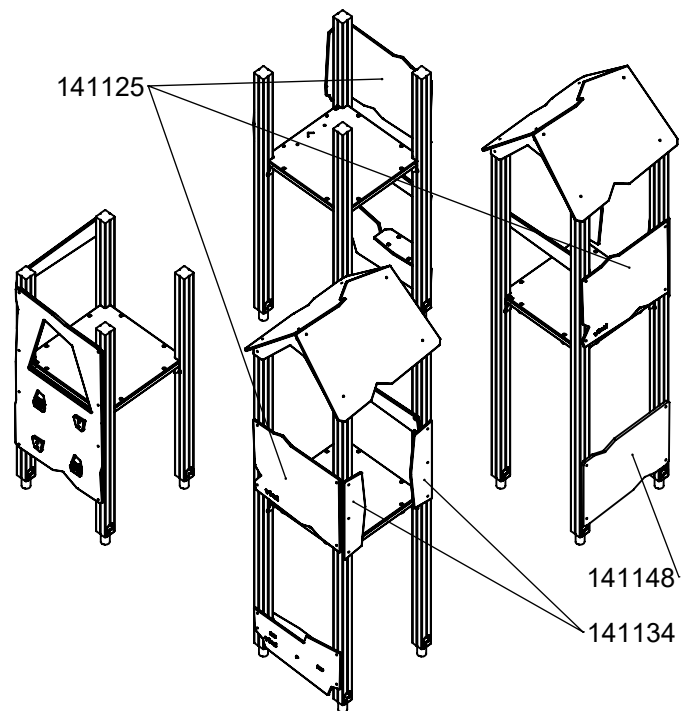
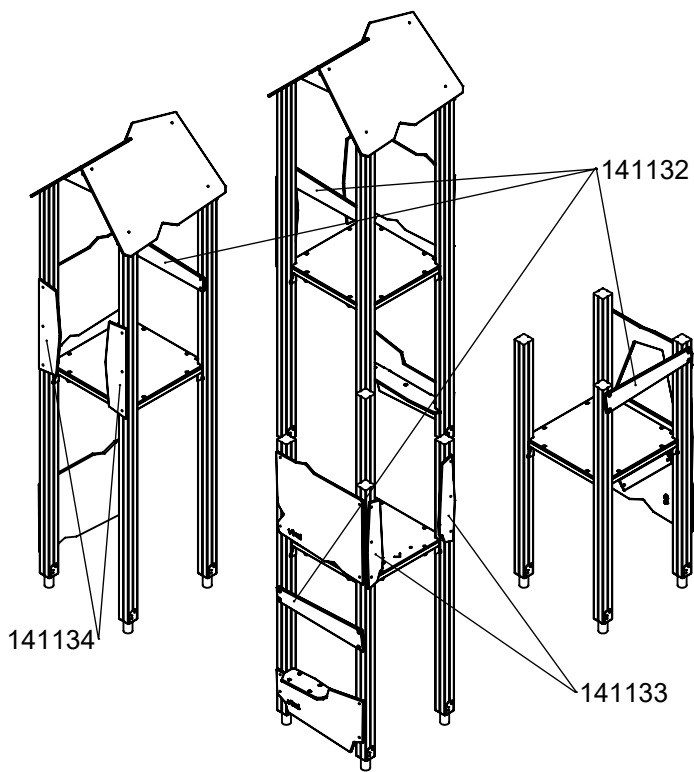
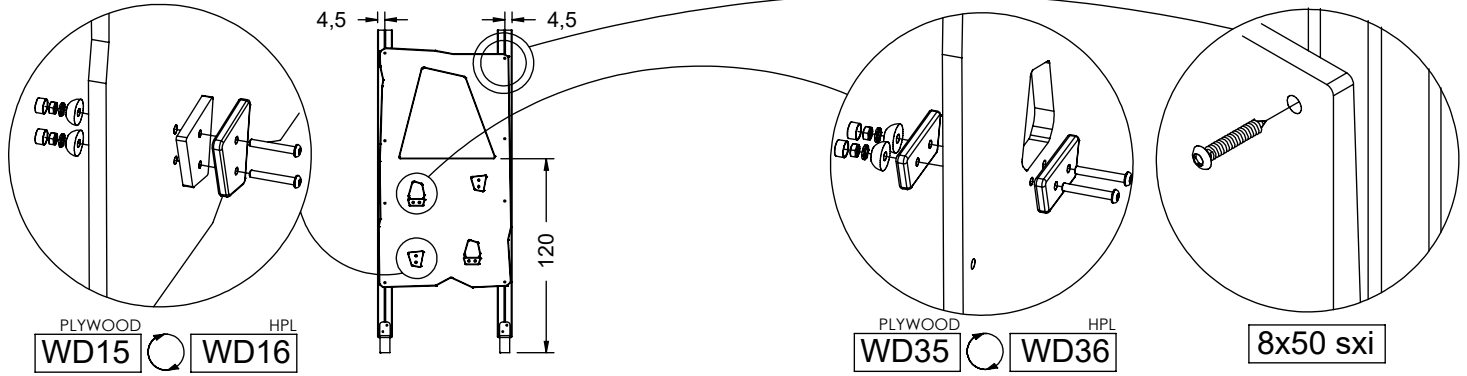
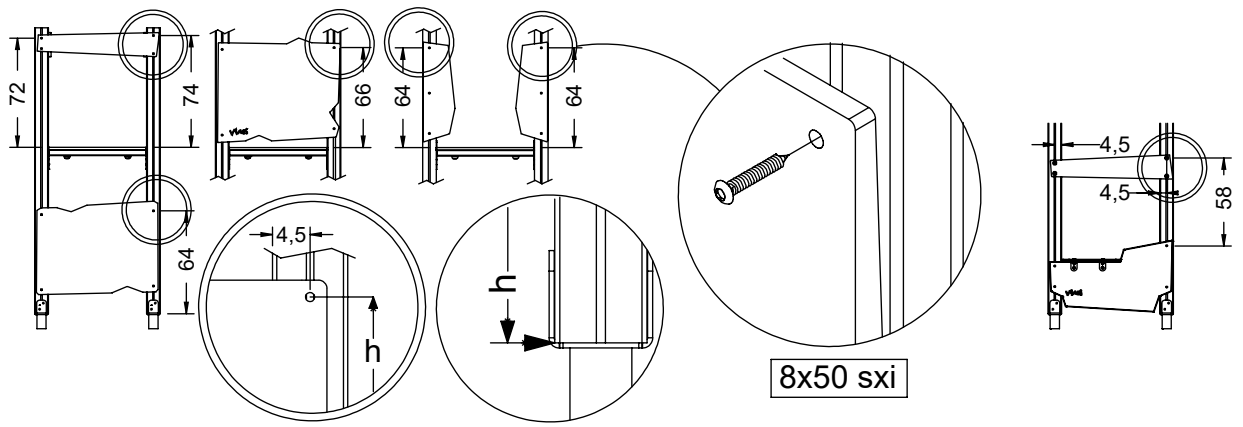


HDPE
CE6 ○ HPL
CL6

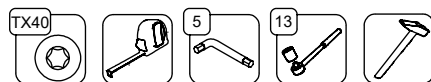
[cm]



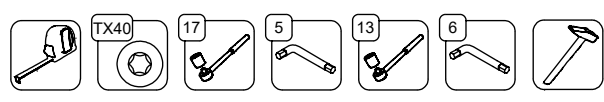
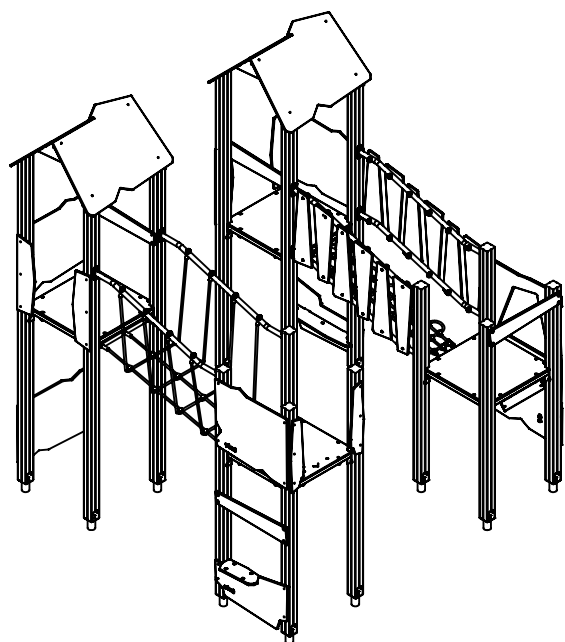
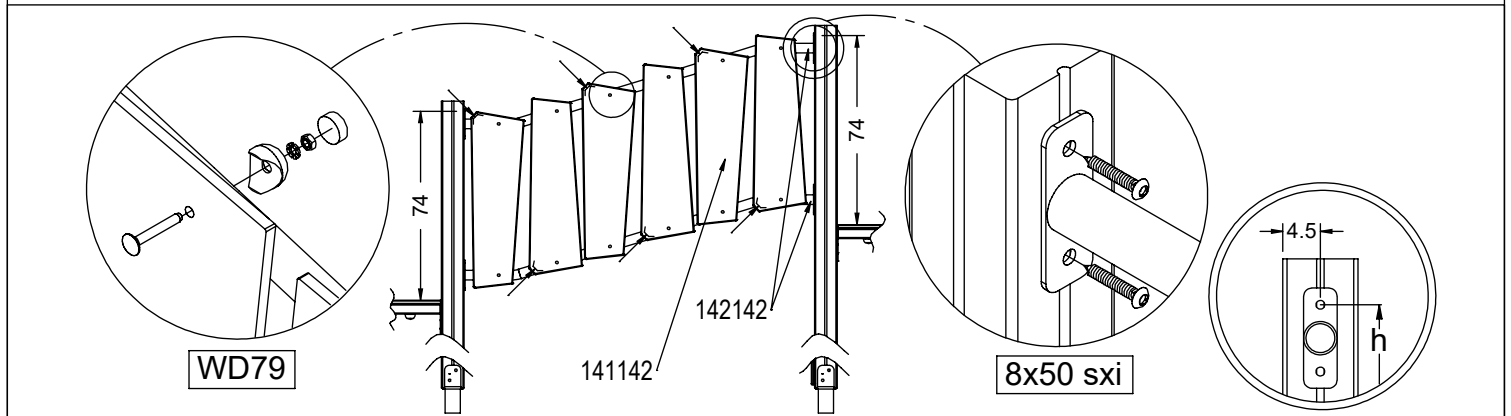
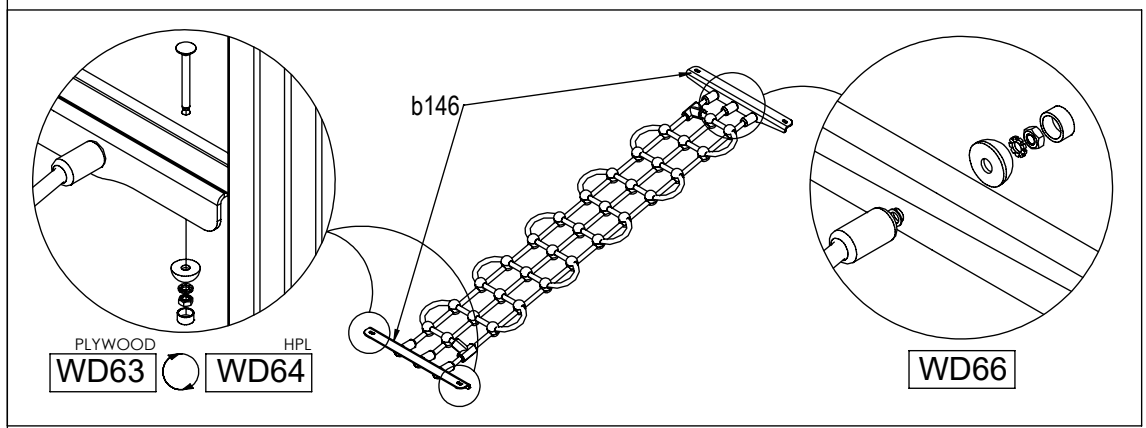
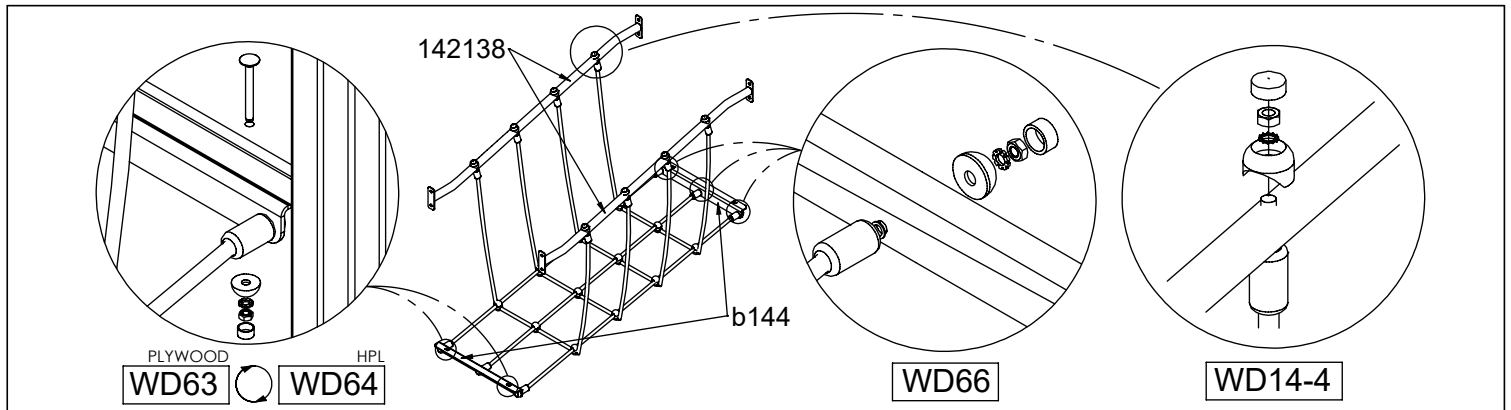
vinci
play



[cm]

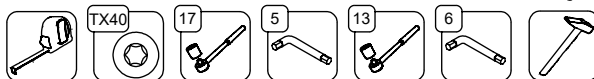
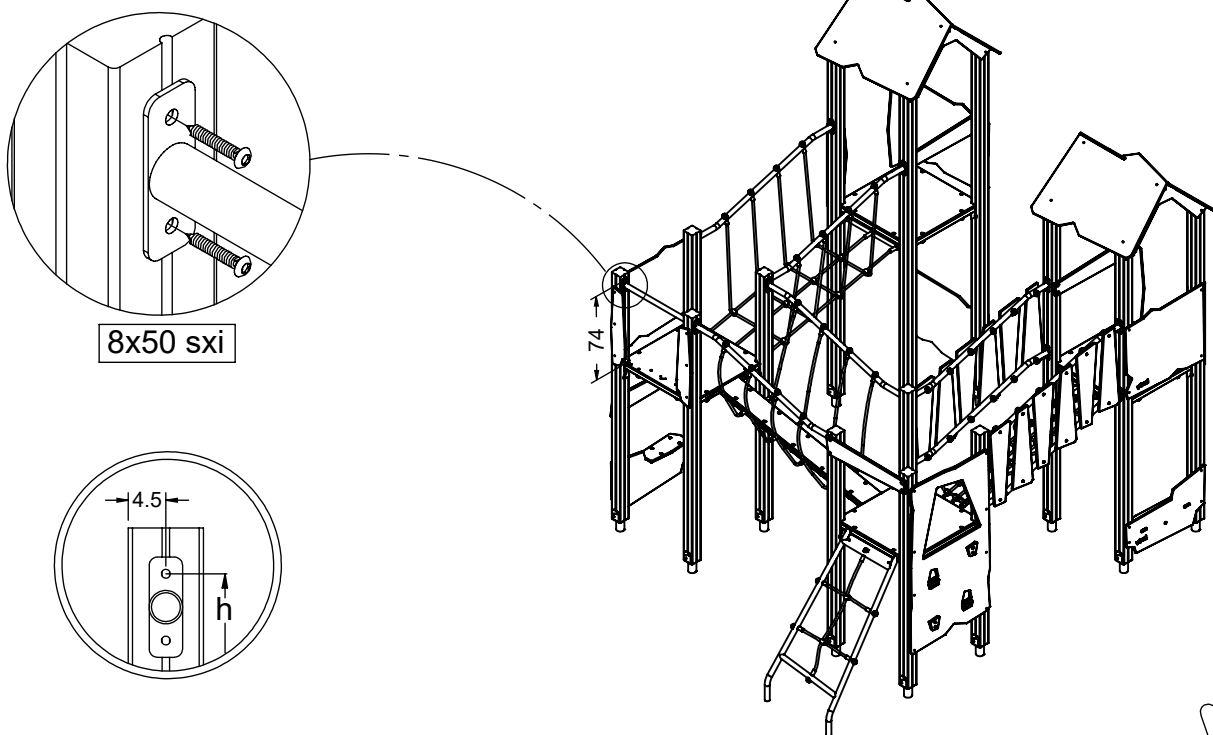
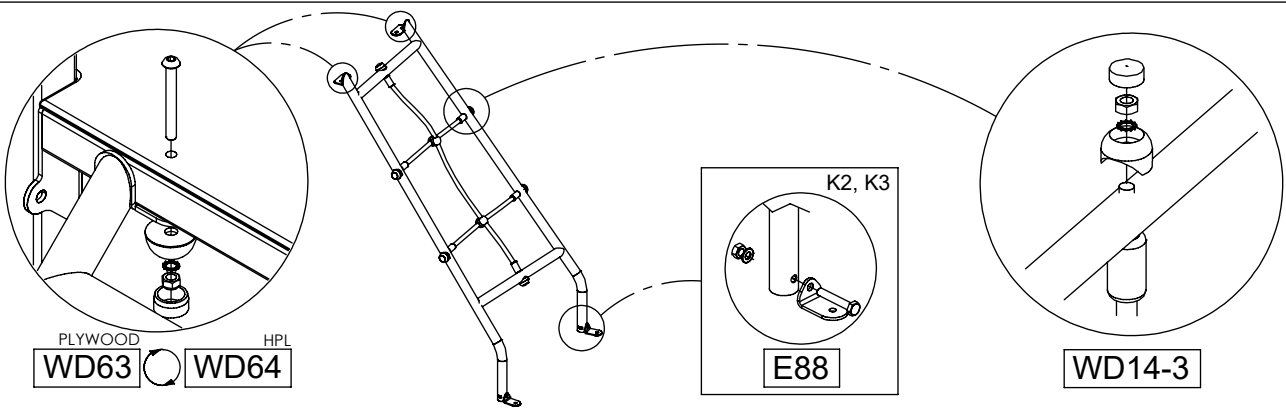
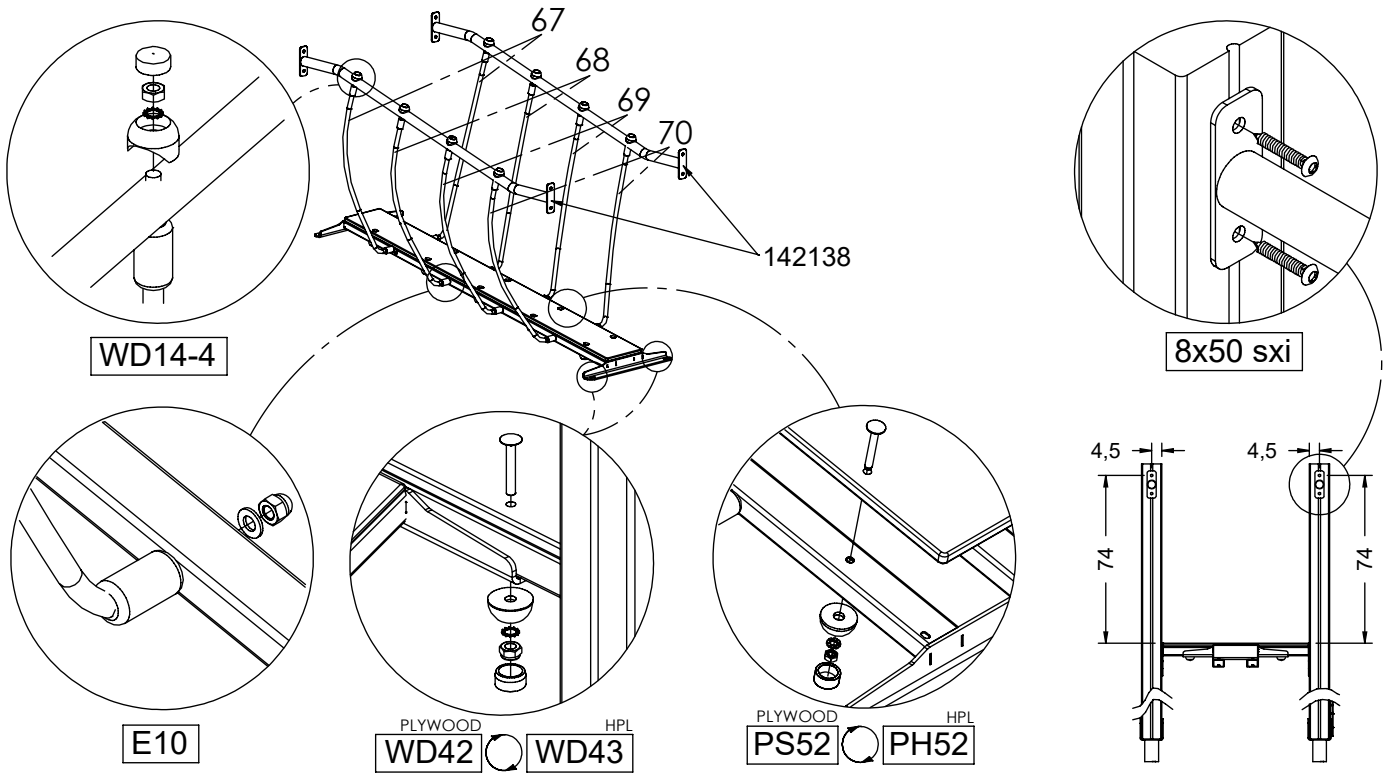


vinci
play



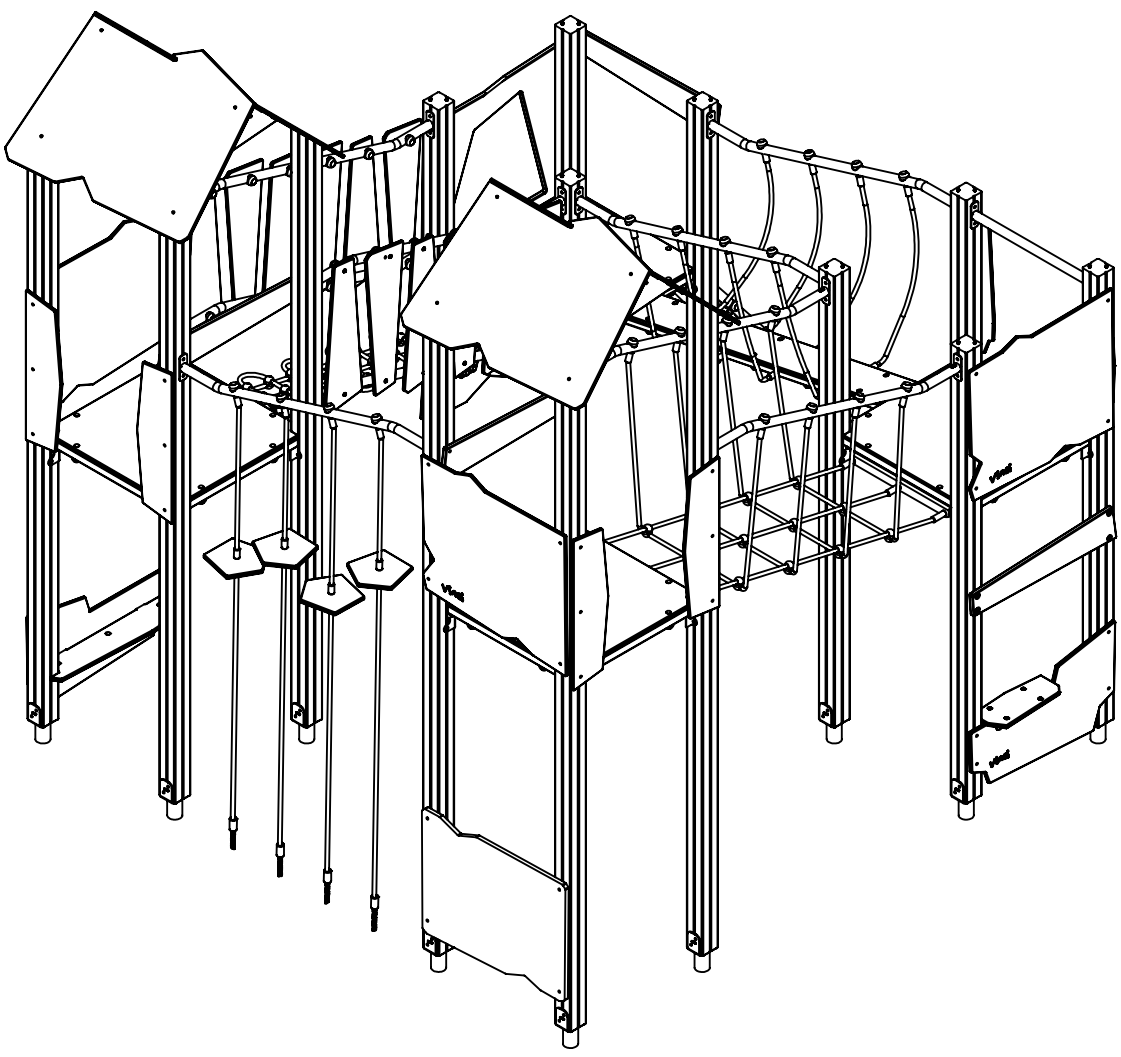
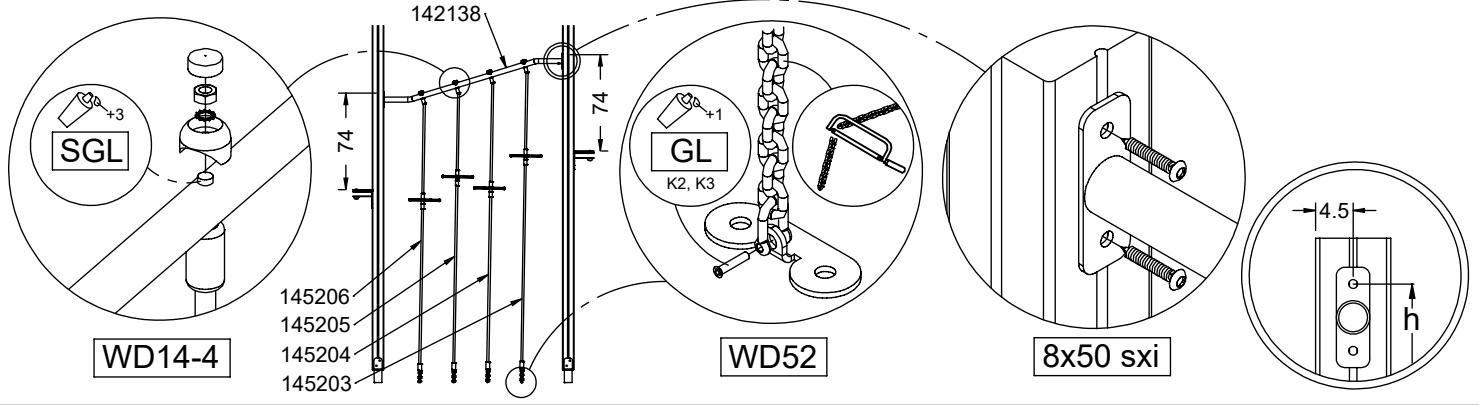
[cm]

vinci
play

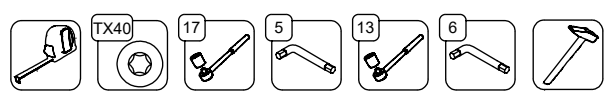


[cm]

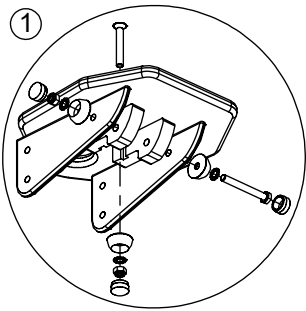
vinci
play



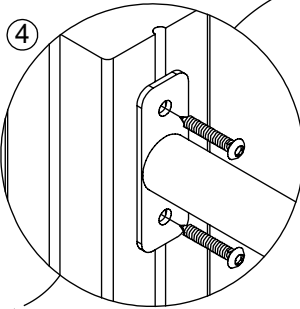
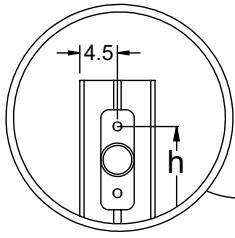
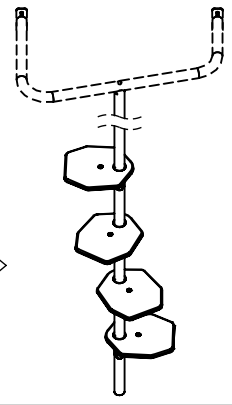
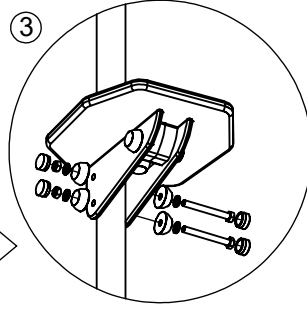
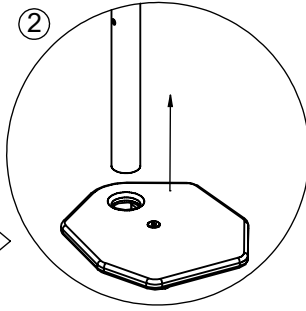
[cm]



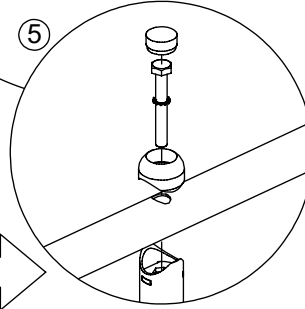
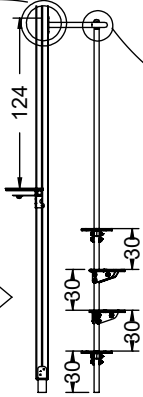
vinci
play



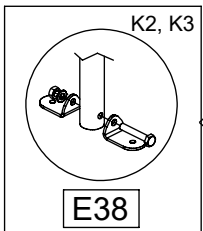
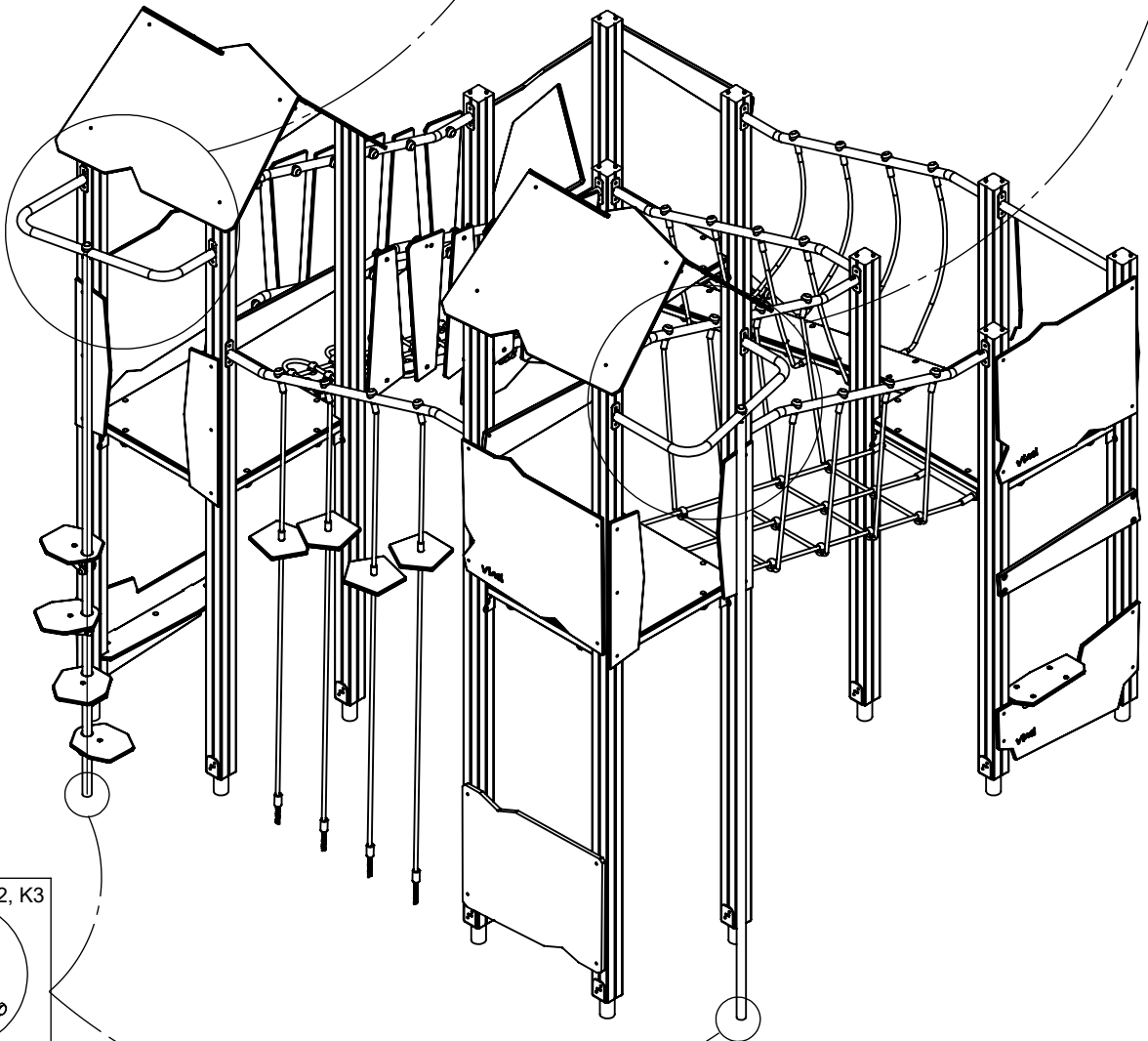
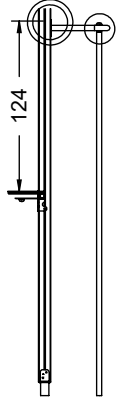
WD67 WD68



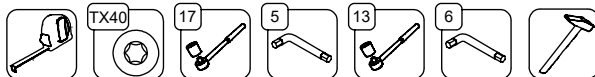
8x50 sxi



E39

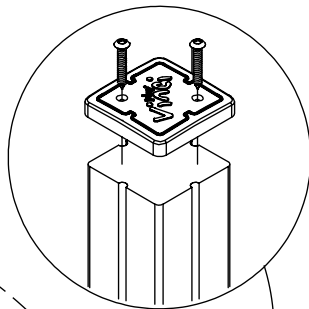
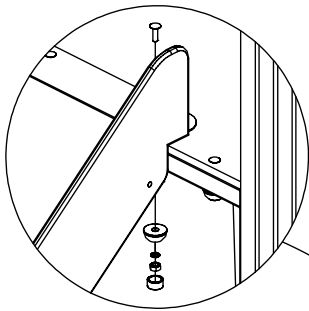


E38



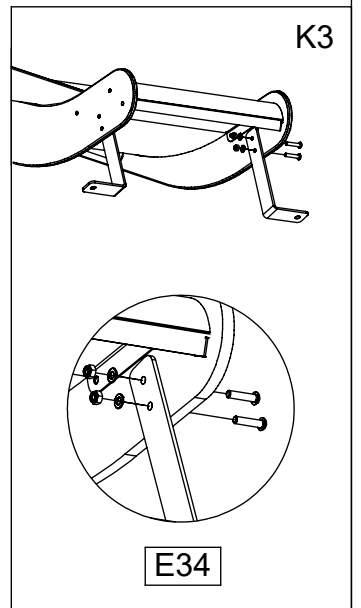
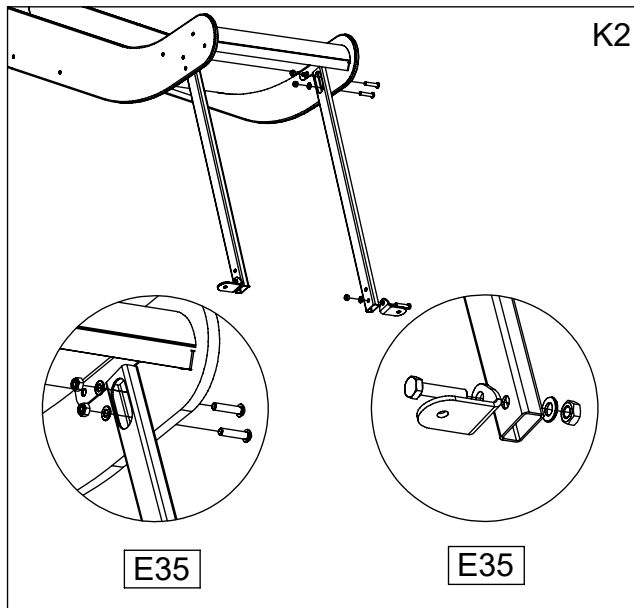
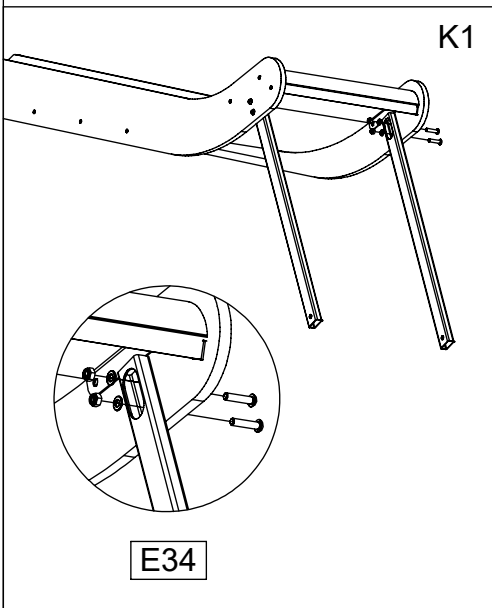
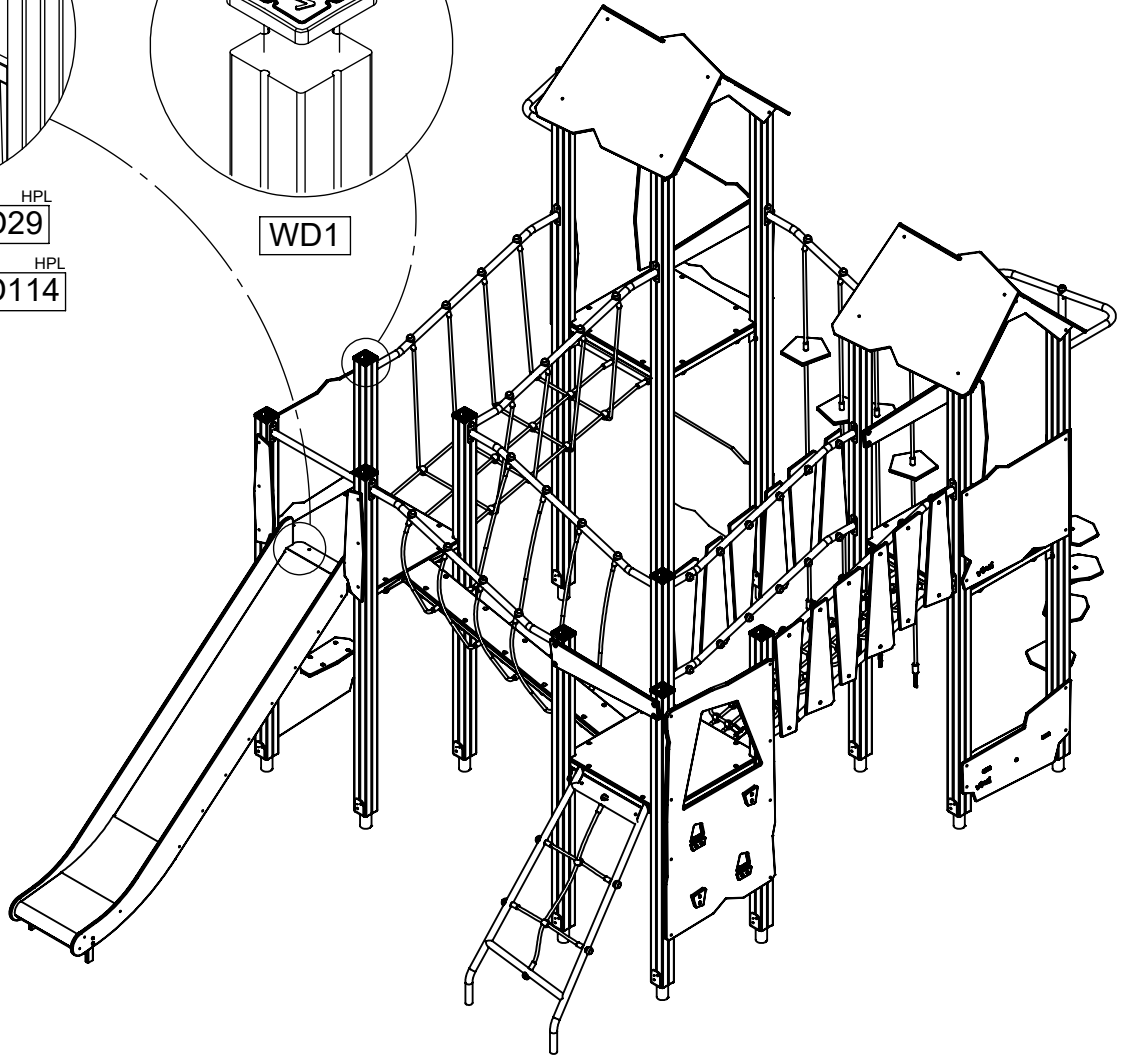
[cm]

vinci play



PLYWOOD HPL
WD28 (S1) **WD29**
 PLYWOOD HPL
WD113 (S6) **WD114**

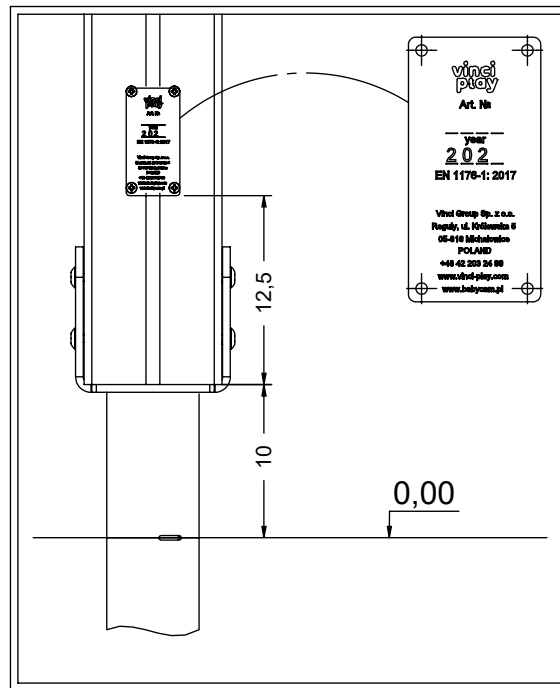
WD1



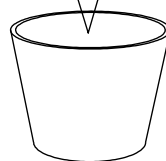
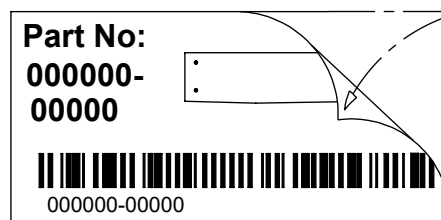
[cm]



vinci
 play



V001



[cm]



vinci
play