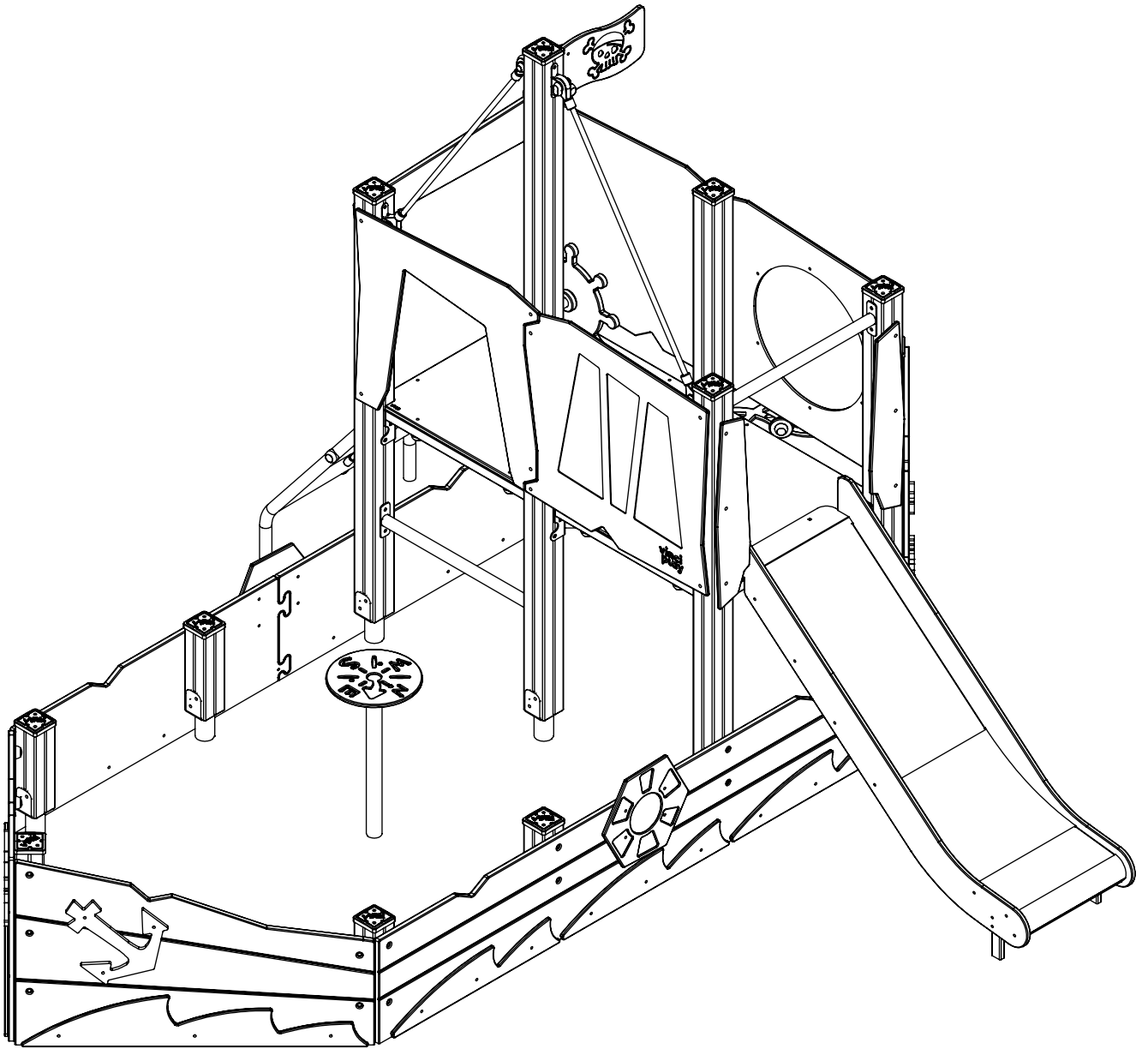
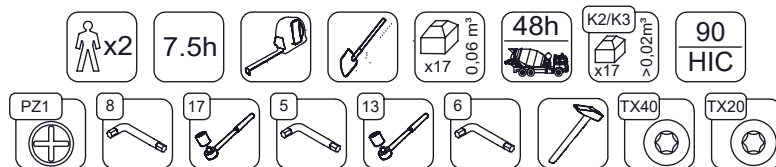


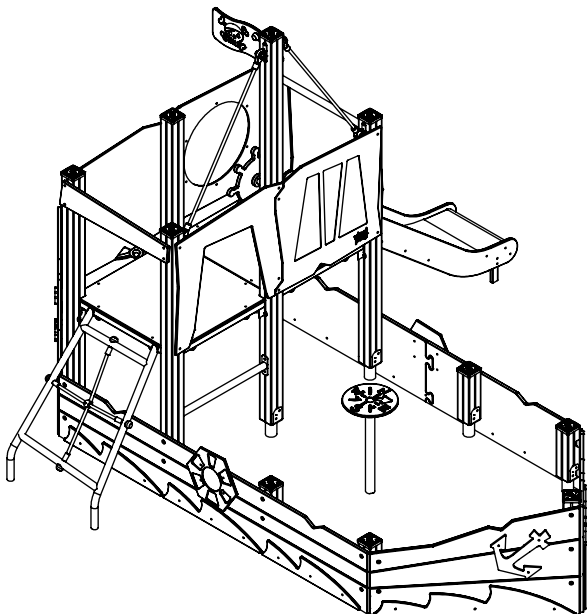
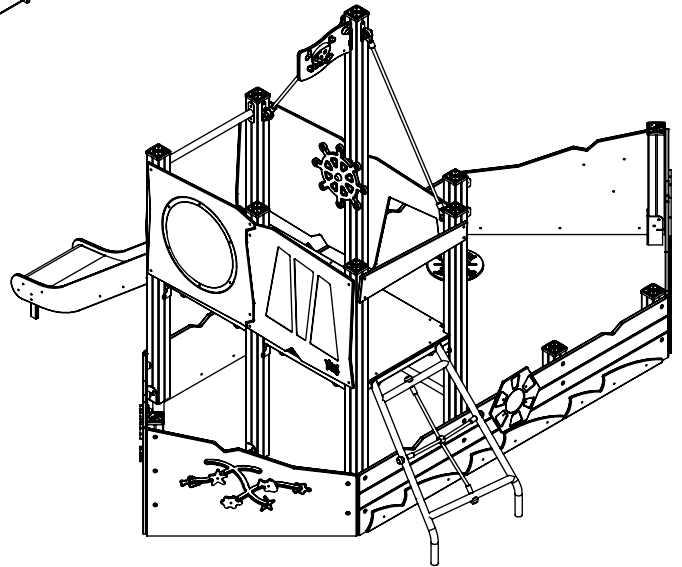
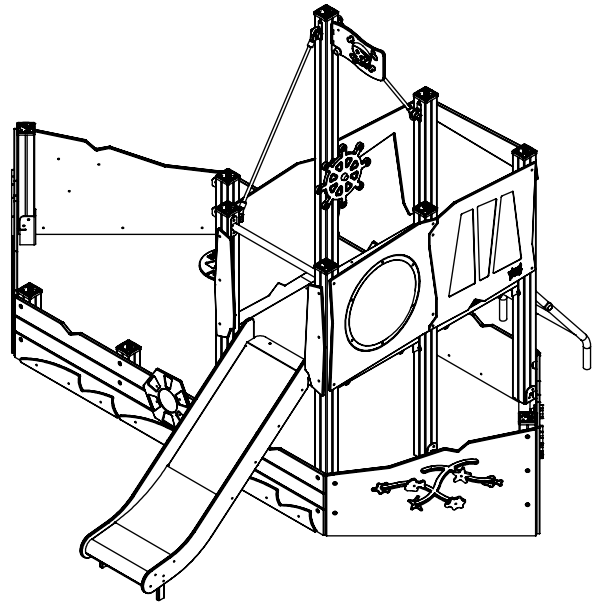
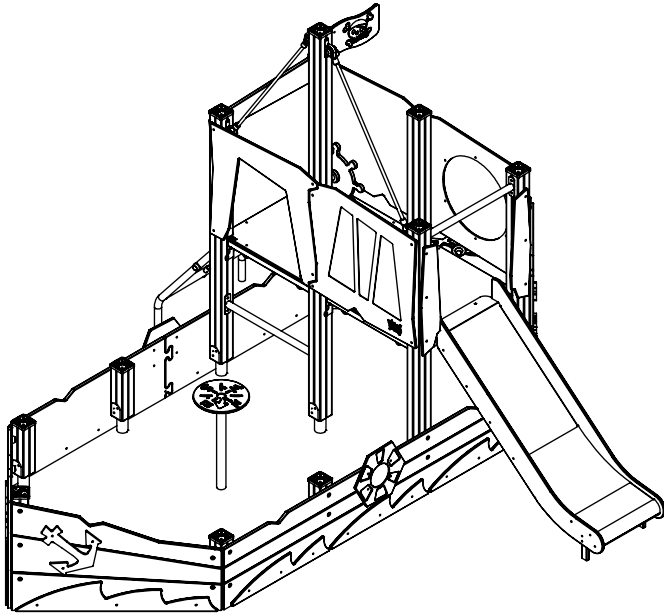
WD1414



v016
26.09.2022
B.N.
[cm]

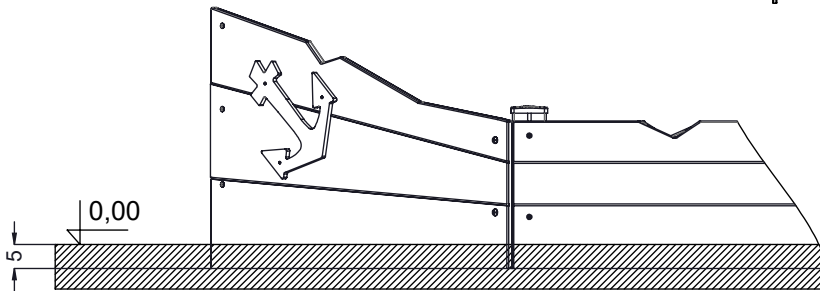
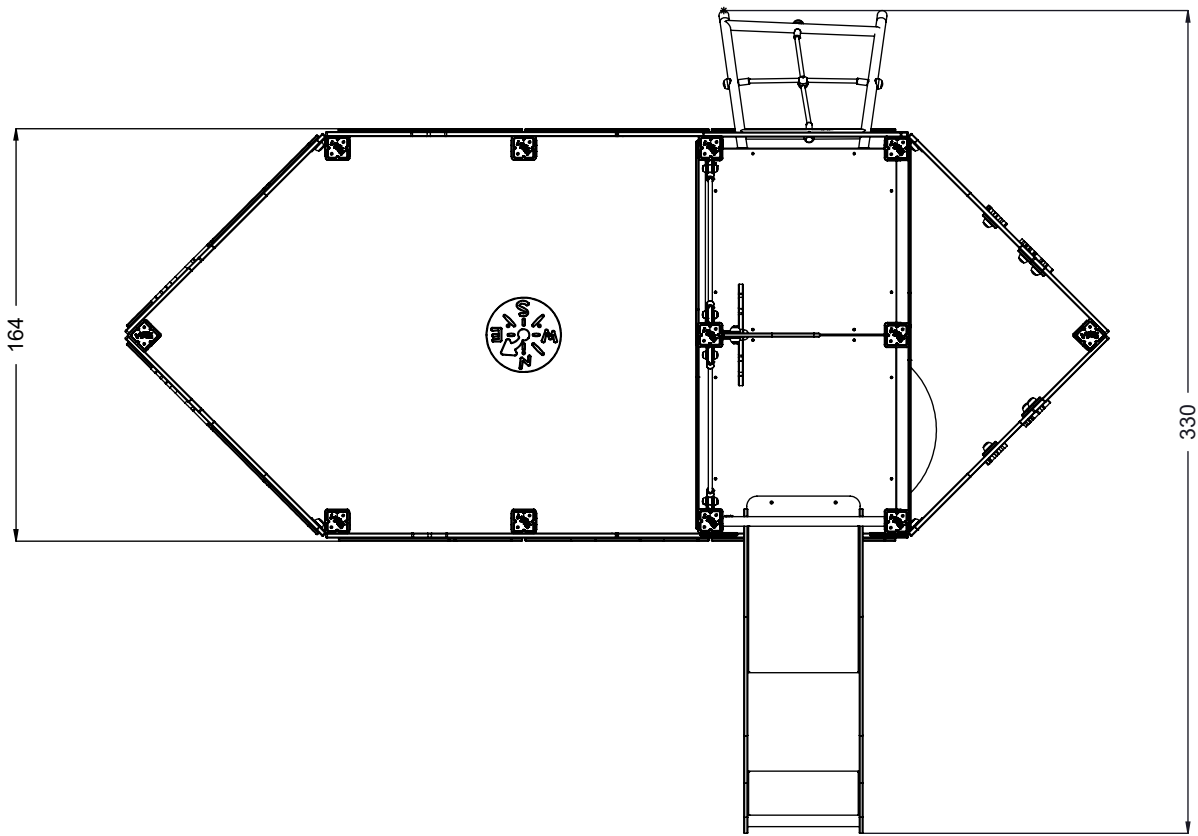
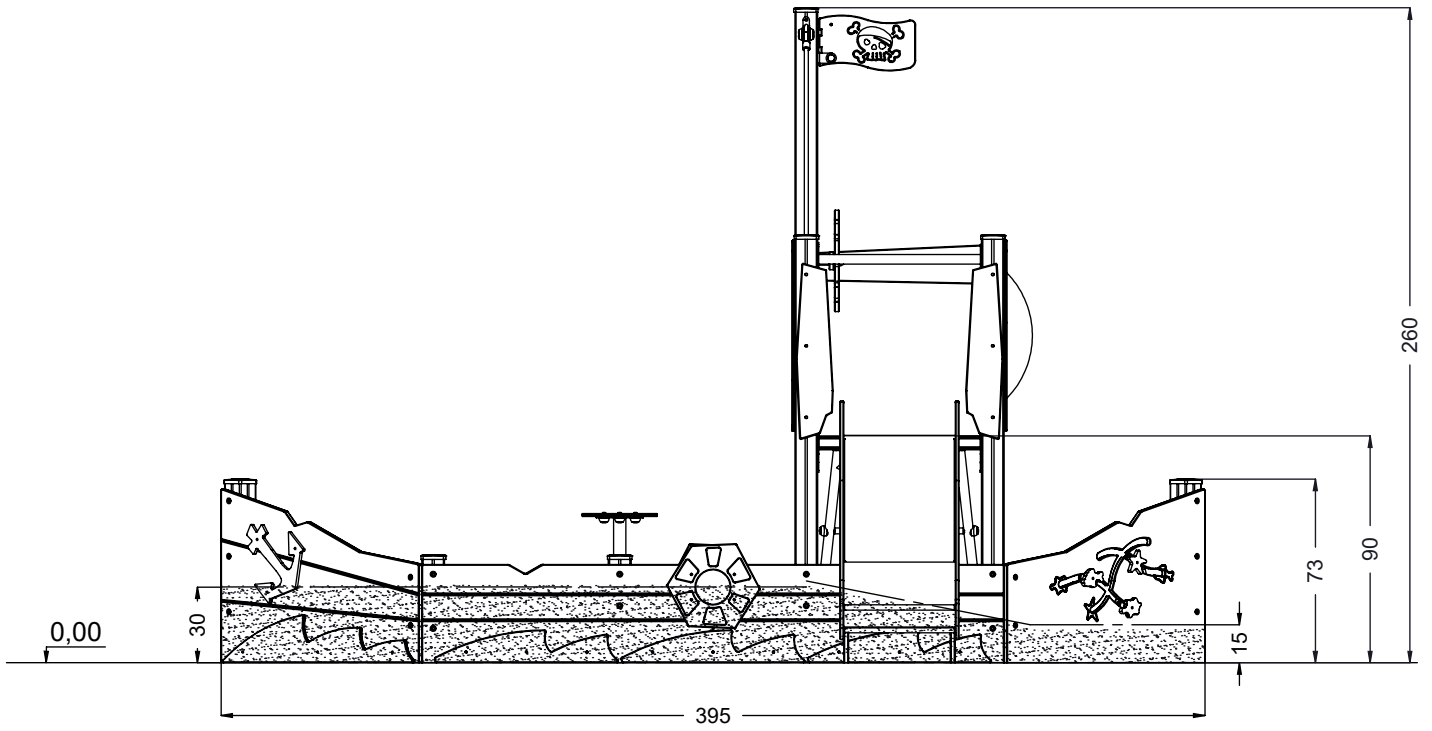


vinci
play



[cm]

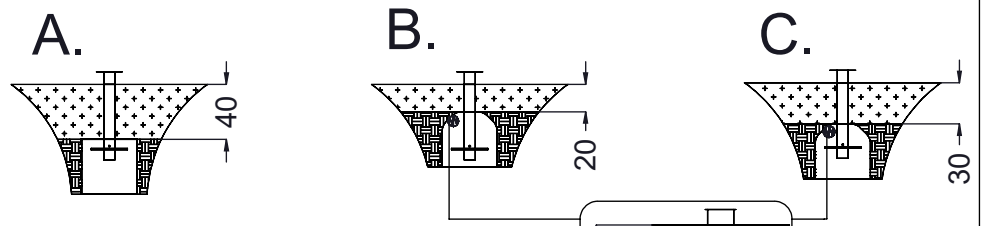
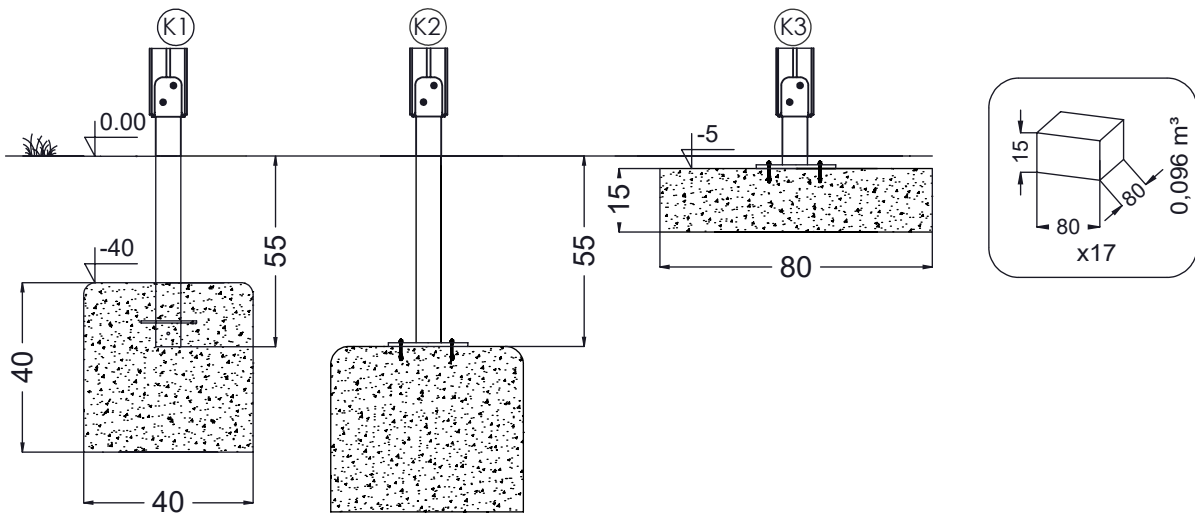
vinci
play






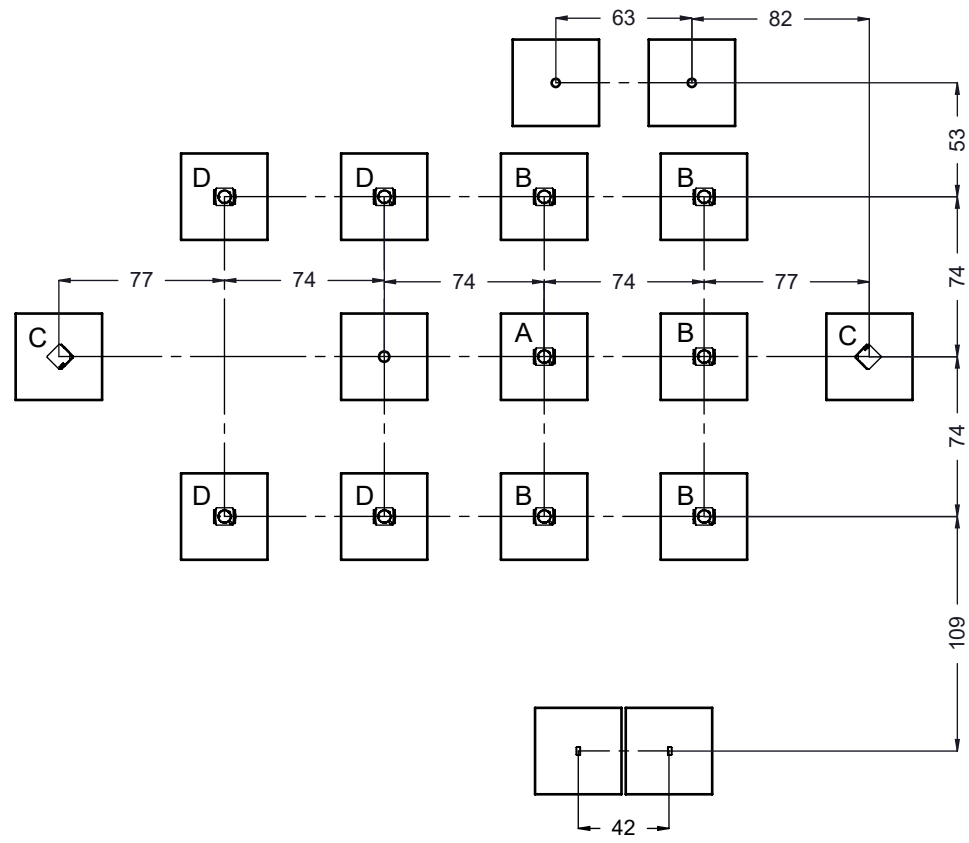
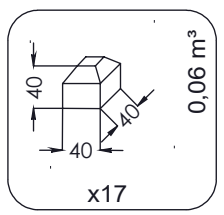
[cm]



vinci
play



- | | |
|---|---|
| 52x M10x120 (K2) | 4x M8x120 (K2) |
| 54x M10x120 (K3) | 4x M8x120 (K3) |
|  |  |
|  |  |
| NOT INCLUDED  | NOT INCLUDED  |



[cm]

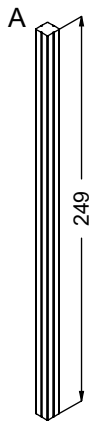




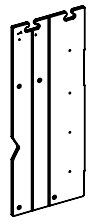




vinci play



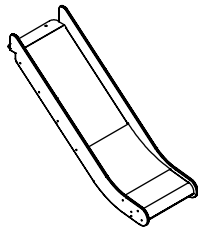
14724990
x1



141375
x2



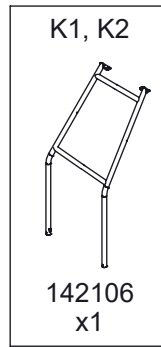
141376
x2



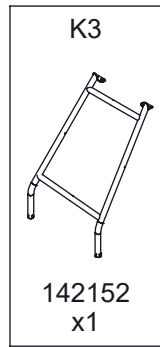
994103
x1



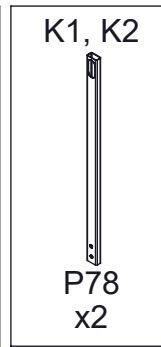
995137
x2



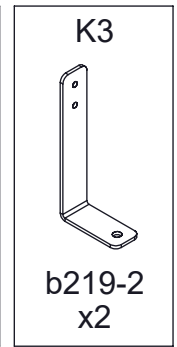
K1, K2
142106
x1



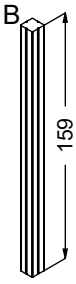
K3
142152
x1



K1, K2
P78
x2



K3
b219-2
x2



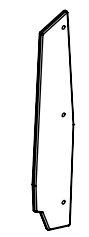
14715990
x5



141160
x2



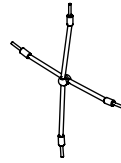
141132
x1



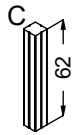
141133
x2



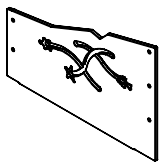
141372
x6



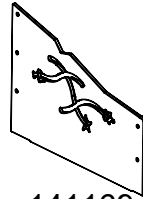
145113
x1



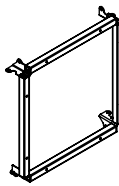
14706290
x2



141168
x1



141169
x1



142109
x2



142117
x2



i171
x4



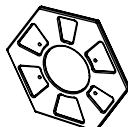
14703290
x4



141155
x2



991105
x1



141379
x2



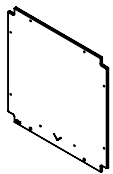
141267
x1



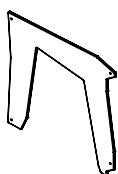
994123
x1



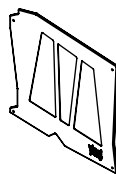
141100
x1



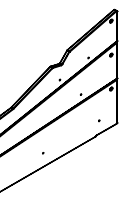
141101
x1



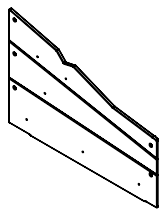
141154
x1



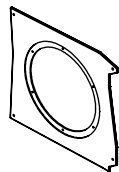
141129
x2



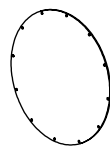
141165
x1



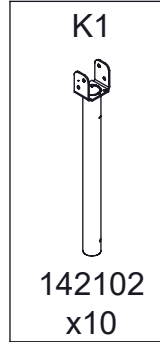
141164
x1



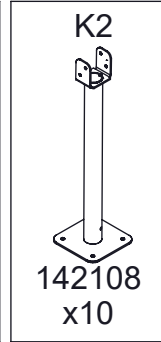
141130
x1



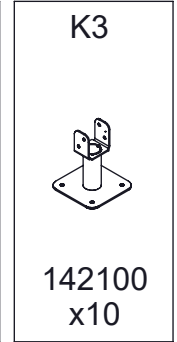
141167
x1



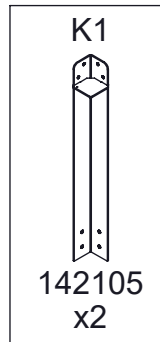
K1
142102
x10



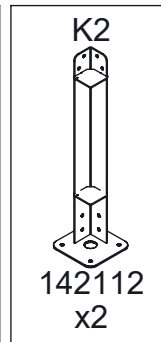
K2
142108
x10



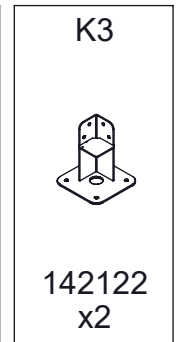
K3
142100
x10



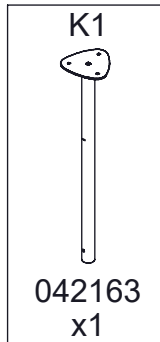
K1
142105
x2



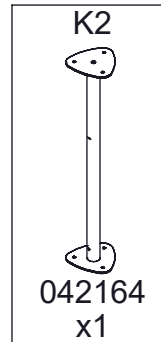
K2
142112
x2



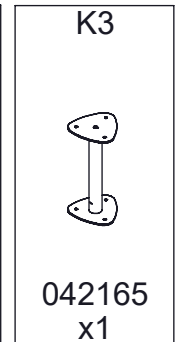
K3
142122
x2



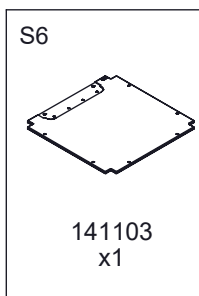
K1
042163
x1



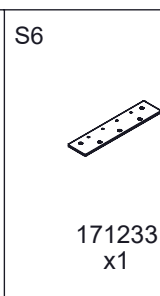
K2
042164
x1



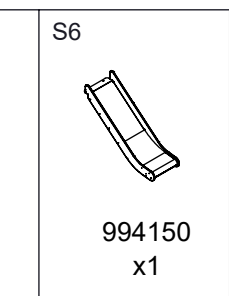
K3
042165
x1



S6
141103
x1

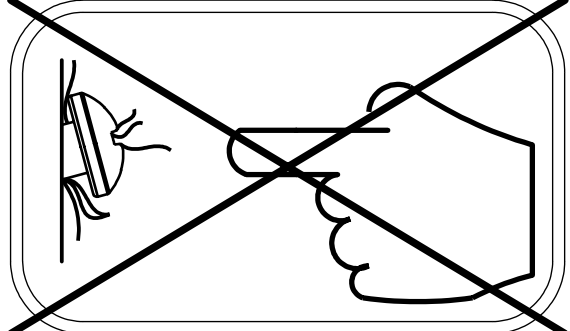
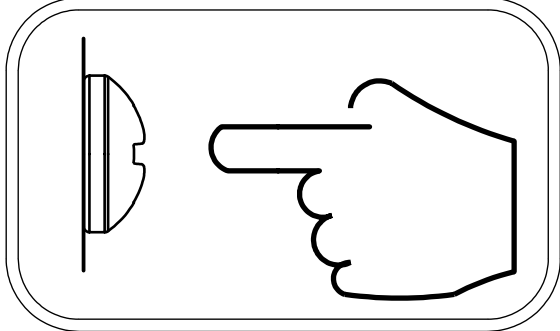
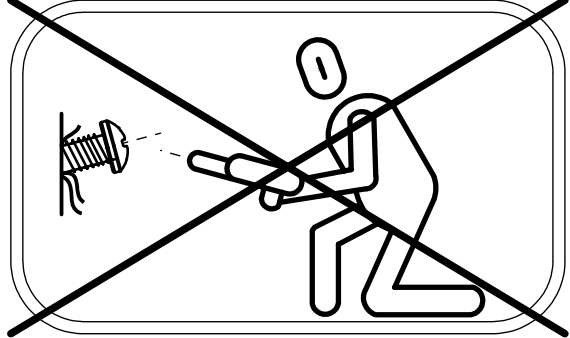
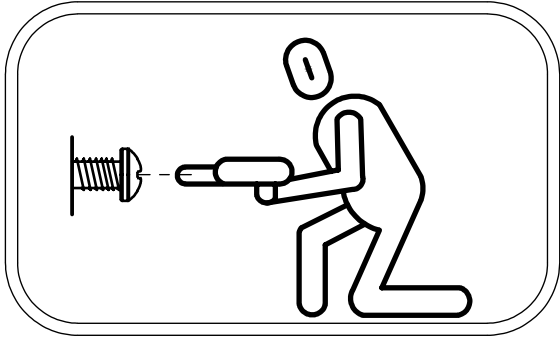


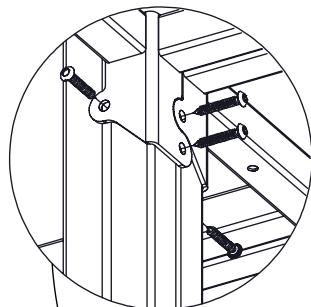
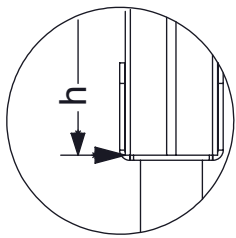
S6
171233
x1



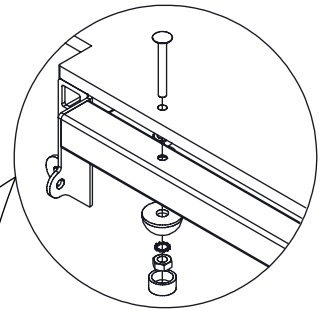
S6
994150
x1

		PLYWOOD / HDPE		HPL	
136x	8x50 sxi	2x	WD74	2x	WD75
1x	E150	1x	CE9	1x	CL9
12x	WD1	1x	WD63	1x	WD64
1x	E34 (K1, K3)	10x	CE60	10x	CL60
1x	E35 (K2)	2x	CE53	2x	CL53
1x	V001	1x	WD28 (S1)	1x	WD28 (S1)
1x	WD27	4x	WD93	4x	WD99
1x	E88 (K2, K3)	1x	WD116	1x	WD117
2x	E170	2x	WD85	2x	WD86
		1x	WD113 (S6)	1x	WD114 (S6)
				1x	P061 S6

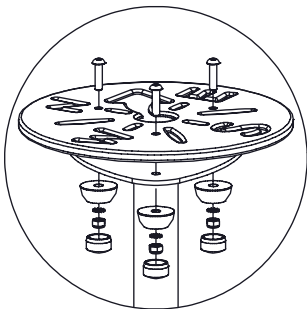




8x50 sxi



PLYWOOD
WD74 ○ HPL
WD75



HDPE
WD116 ○ HPL
WD117

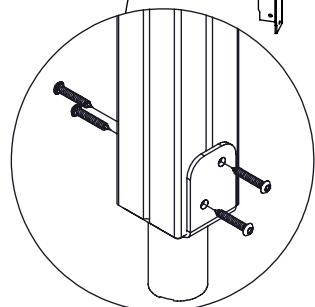
141100

141101

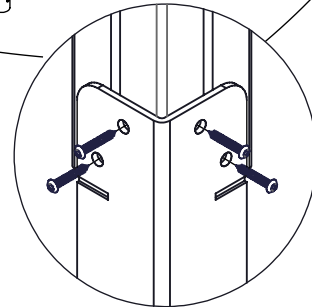
80

D

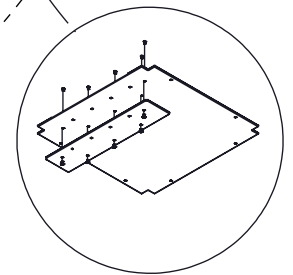
C



8x50 sxi



8x50 sxi

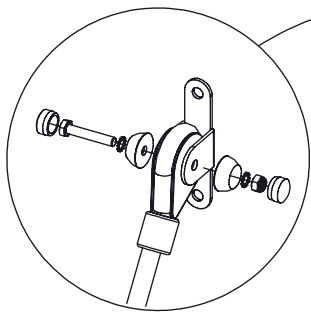


1x P061 S6

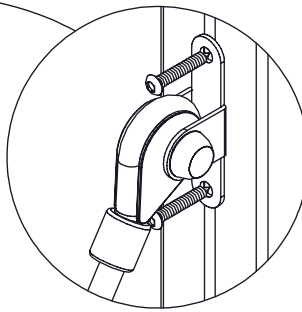
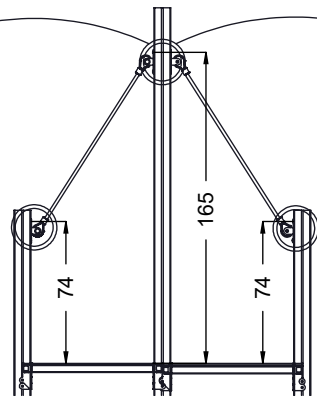
[cm]



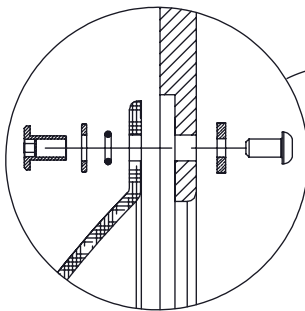
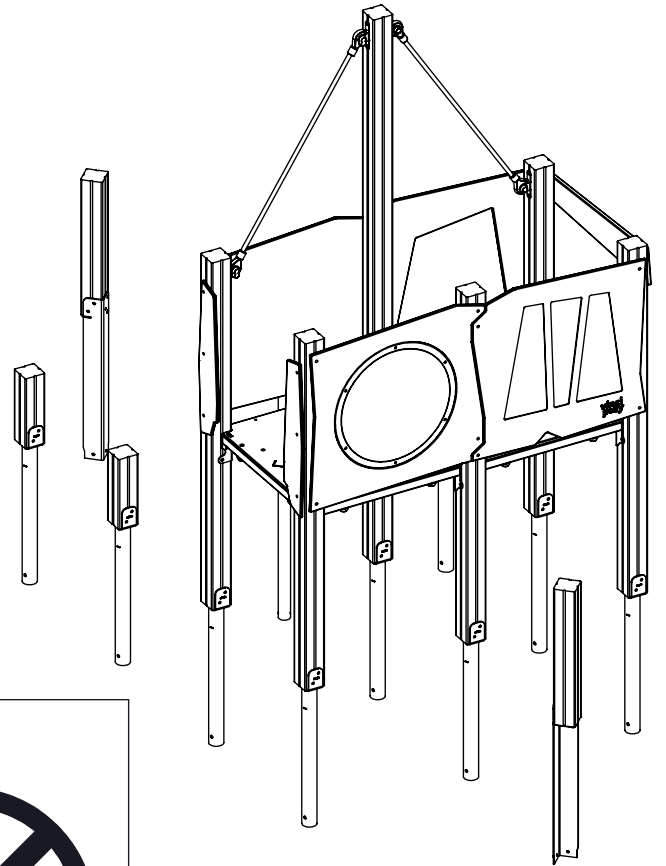
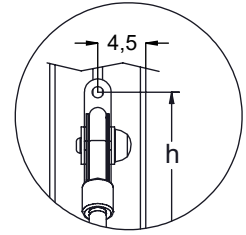
vinci
play



E170

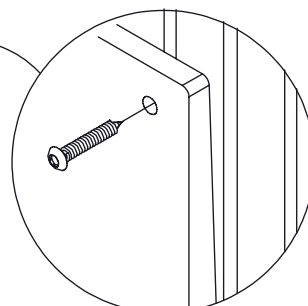
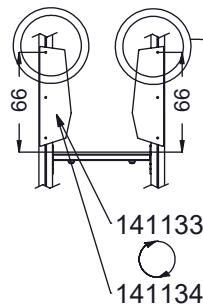
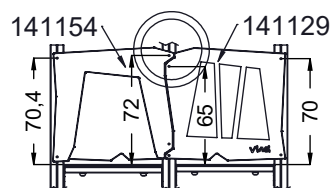
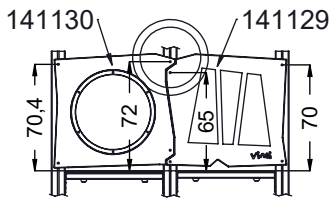
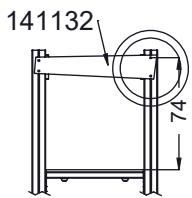
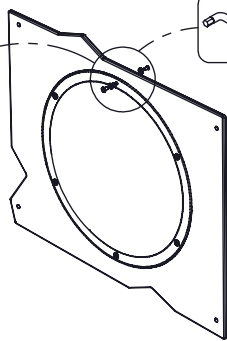


8x50 sxi

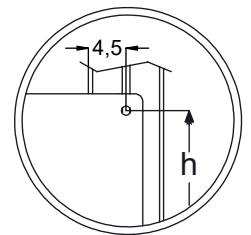


HDPE
CE9

HPL
CL9



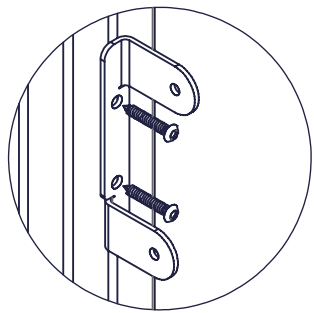
8x50 sxi



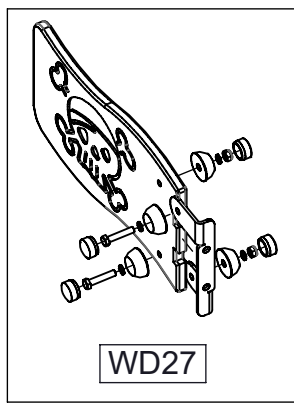
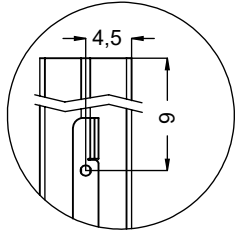
[cm]



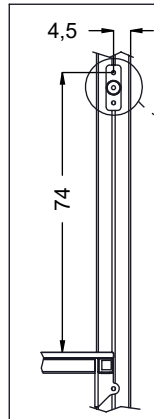
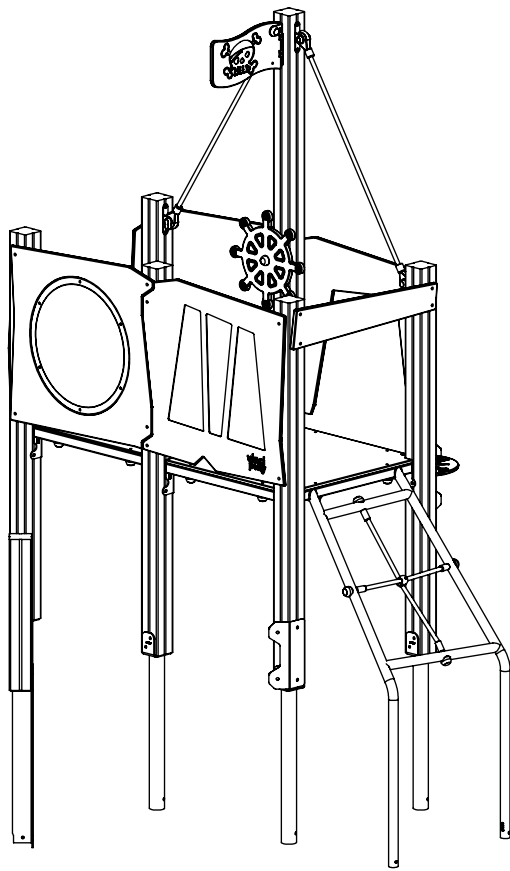
vinci
play



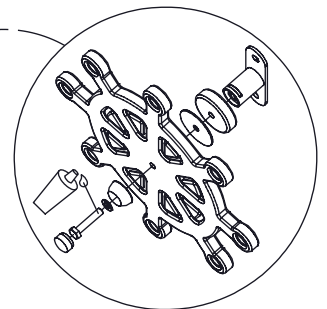
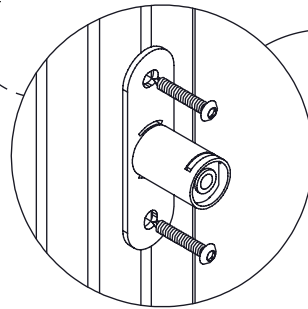
8x50 sxi



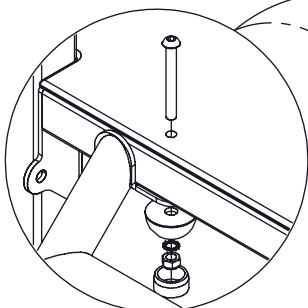
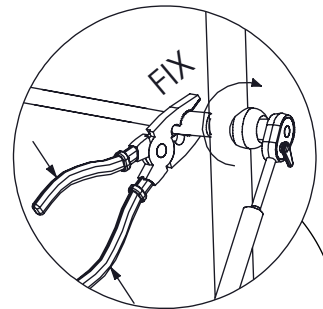
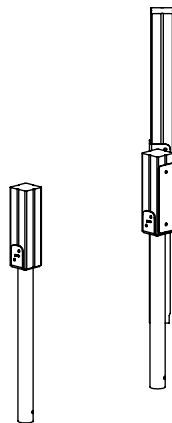
WD27



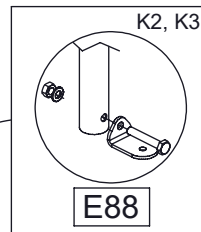
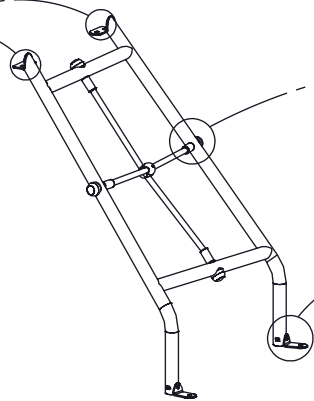
8x50 sxi



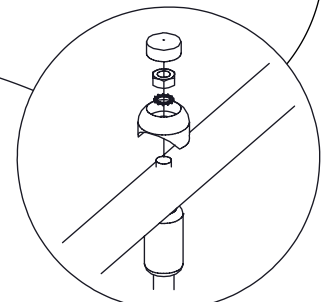
E150



PLYWOOD
WD63



E88

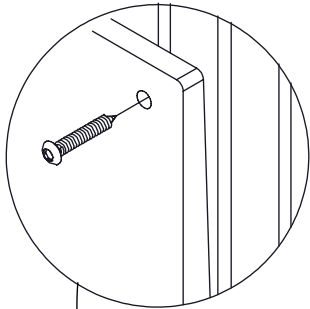


WD14-4

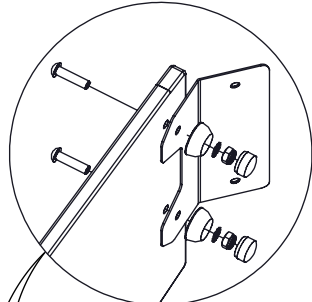
[cm]



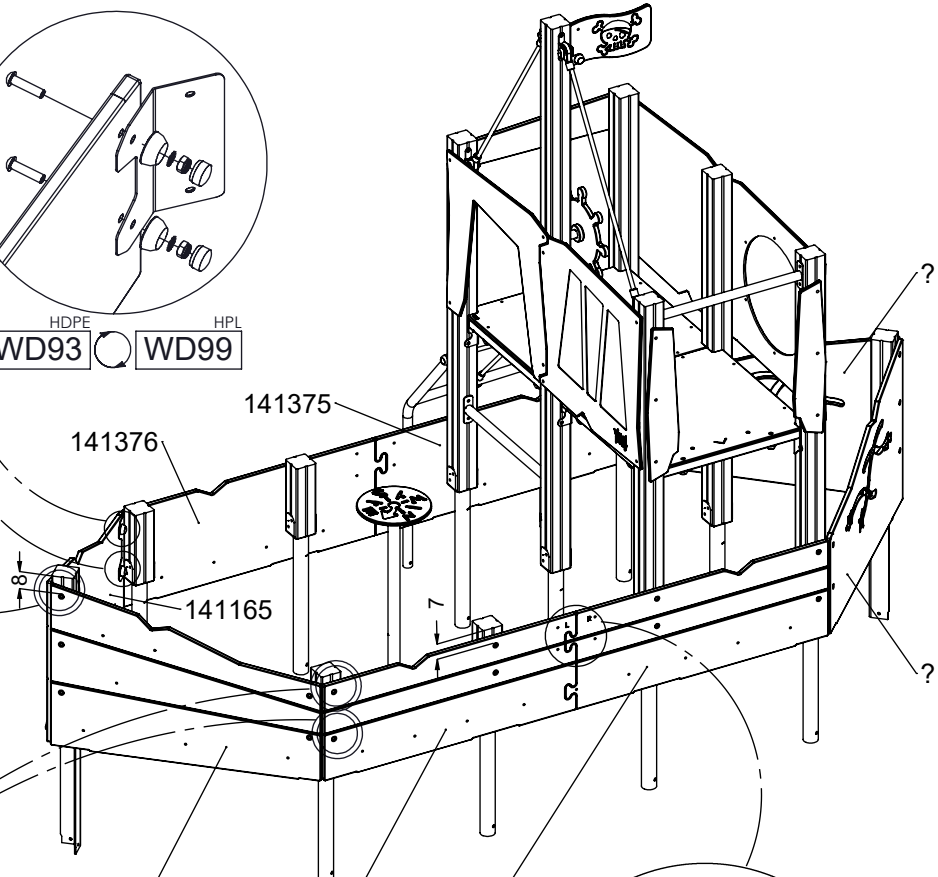
vinci
play



8x50 sxi



HDPE WD93 HPL WD99



141376

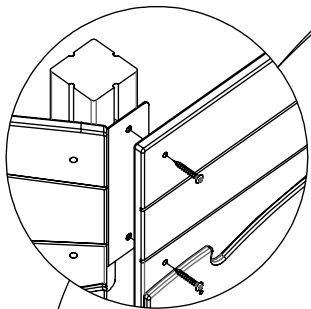
141375

141165

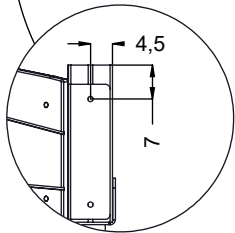
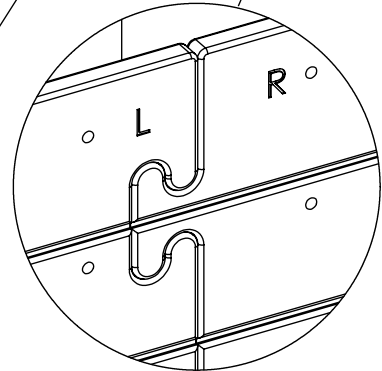
141164

141375

141376



8x50 sxi



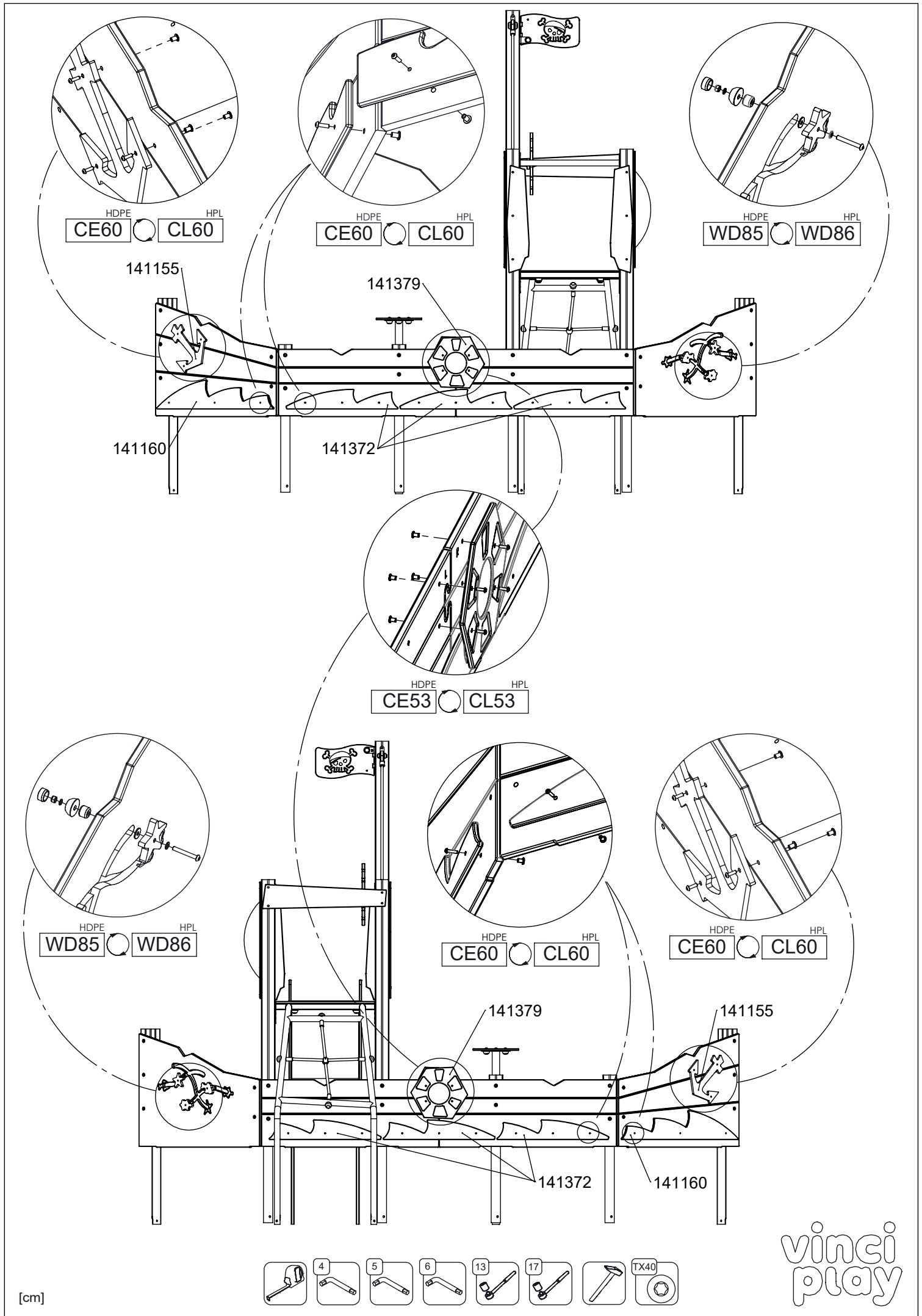
4,5

7



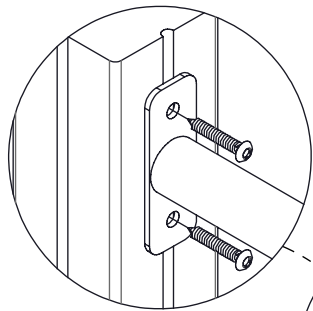
[cm]

vinci play

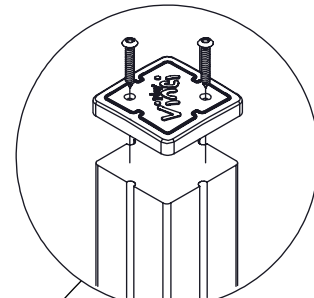
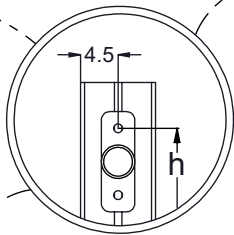
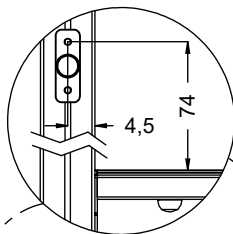


[cm]

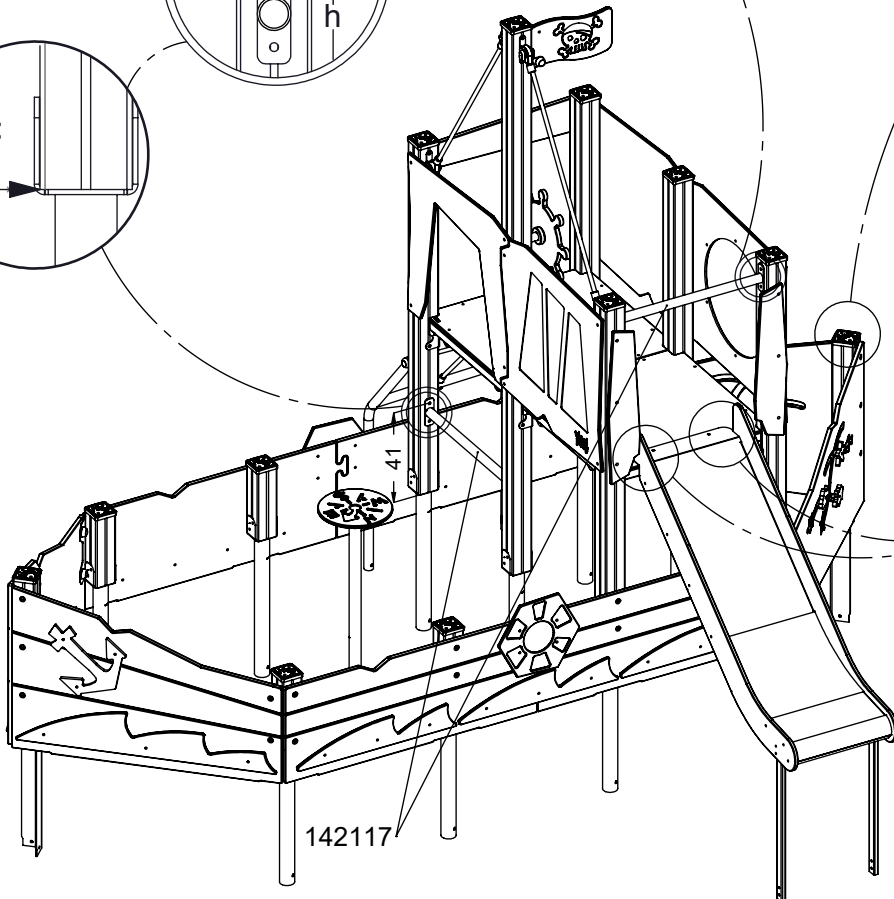
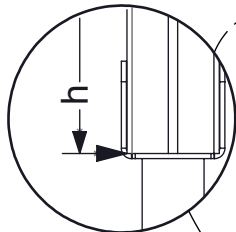
vinci
play



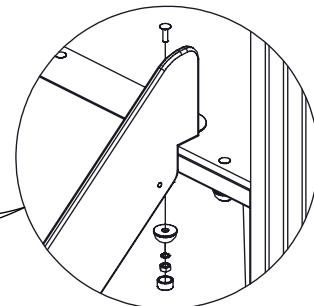
8x50 sxi



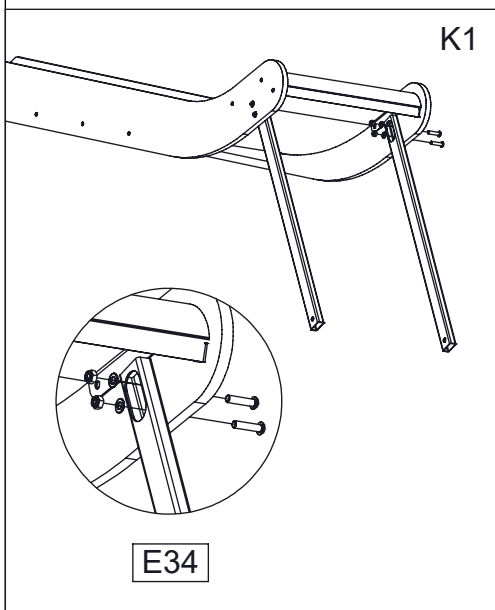
WD1



142117

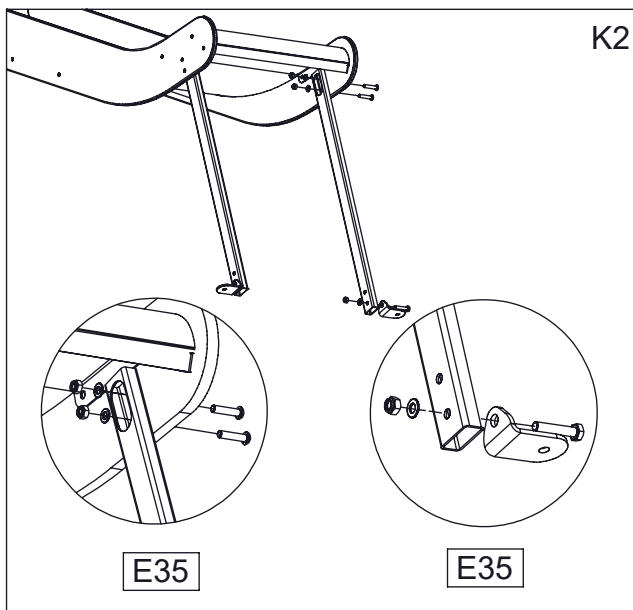


PLYWOOD		HPL
WD28	S1	WD29
PLYWOOD		HPL
WD113	S6	WD114



K1

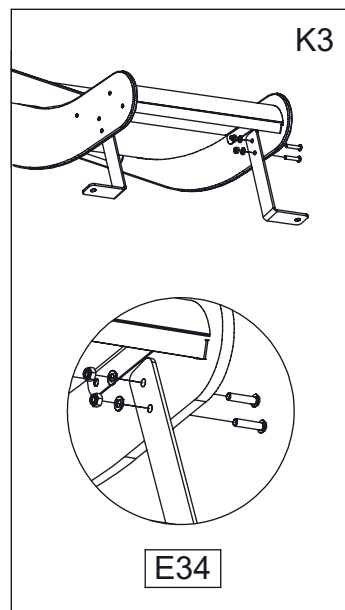
E34



K2

E35

E35



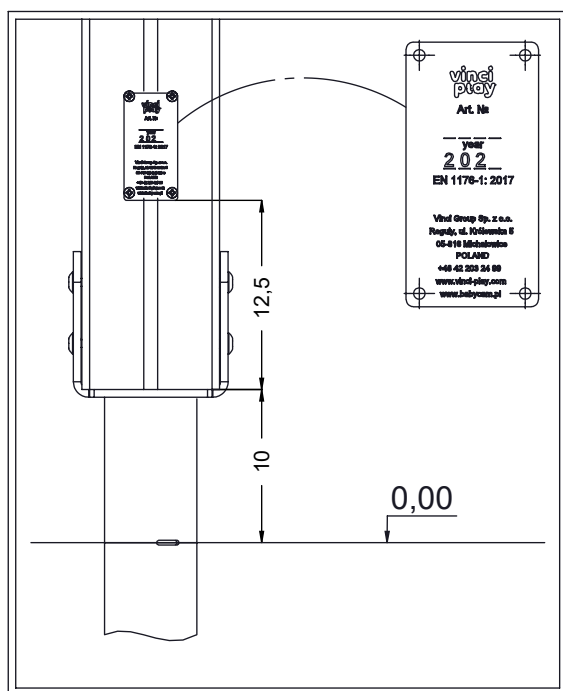
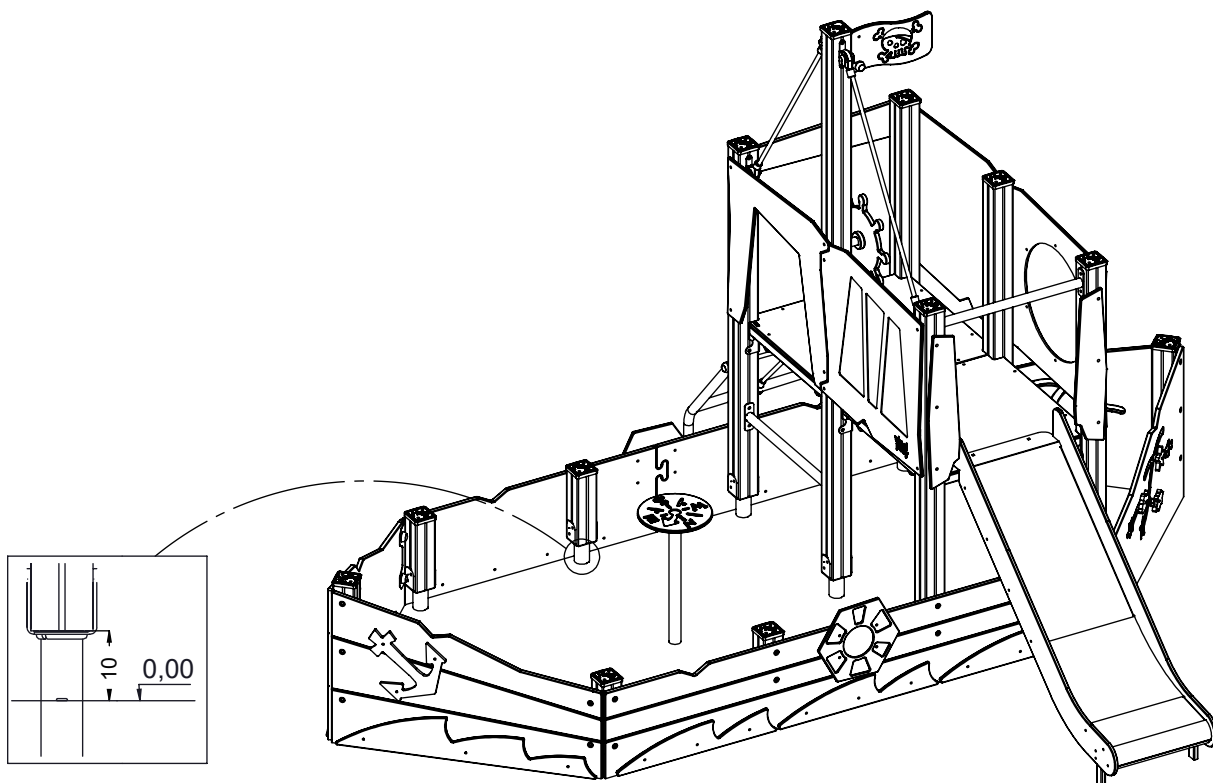
K3

E34

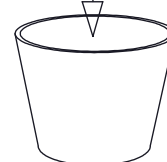
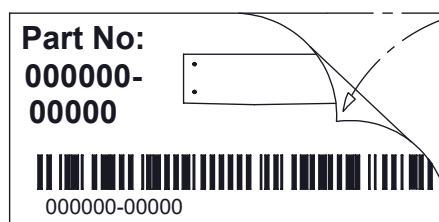
[cm]



vinci play



V001



[cm]



vinci
play