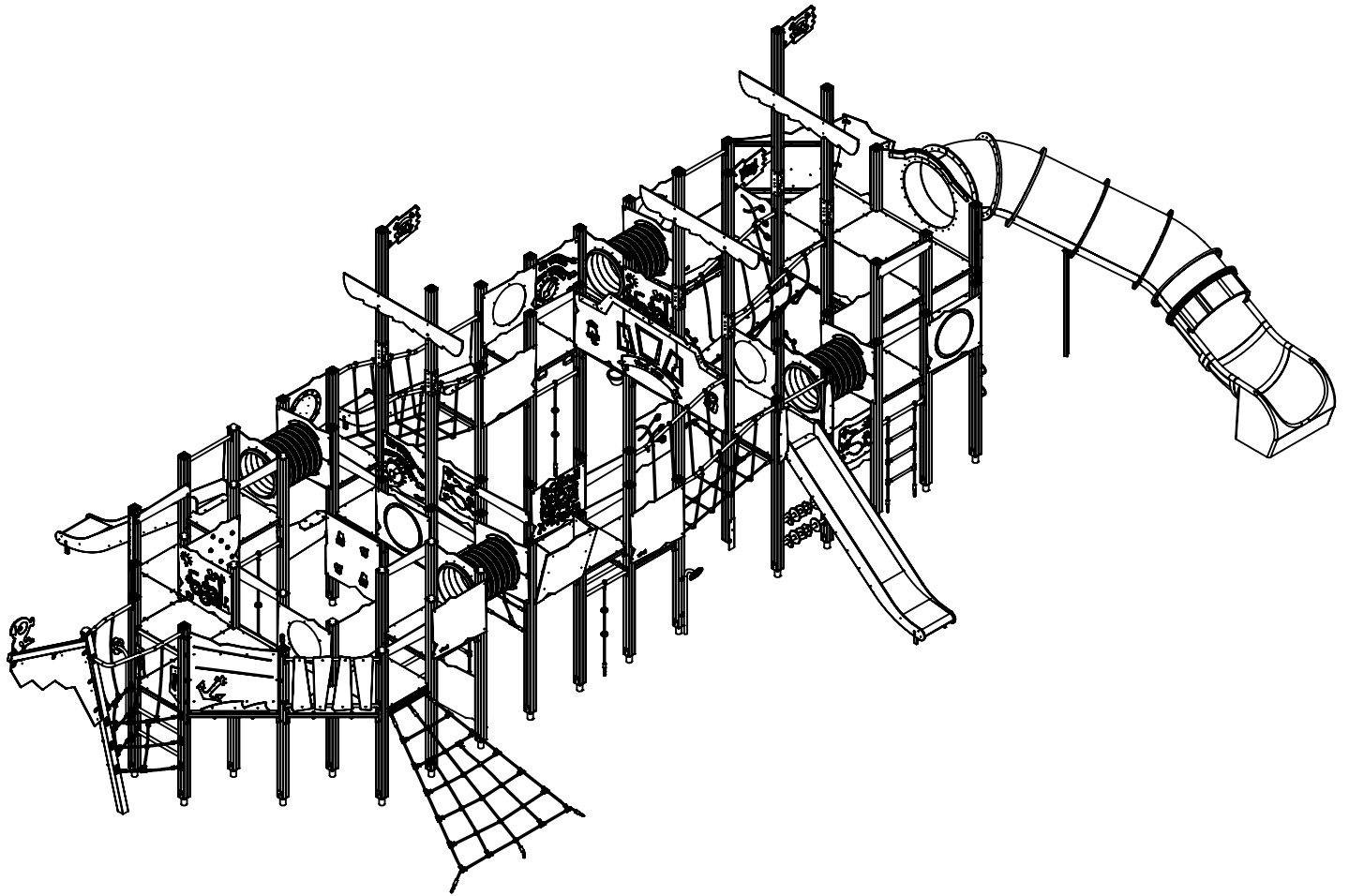
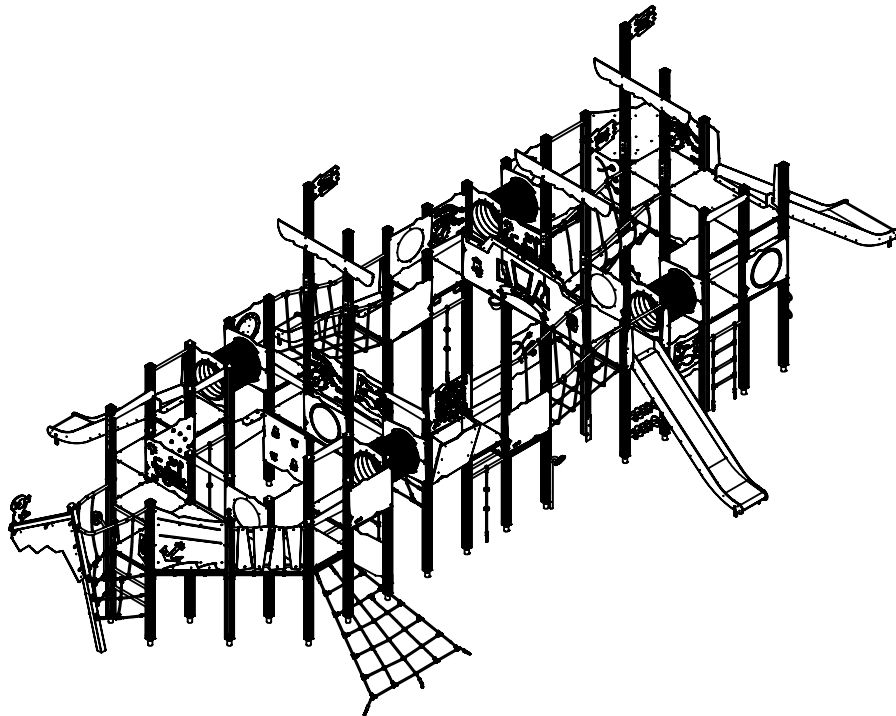


WD1418-1

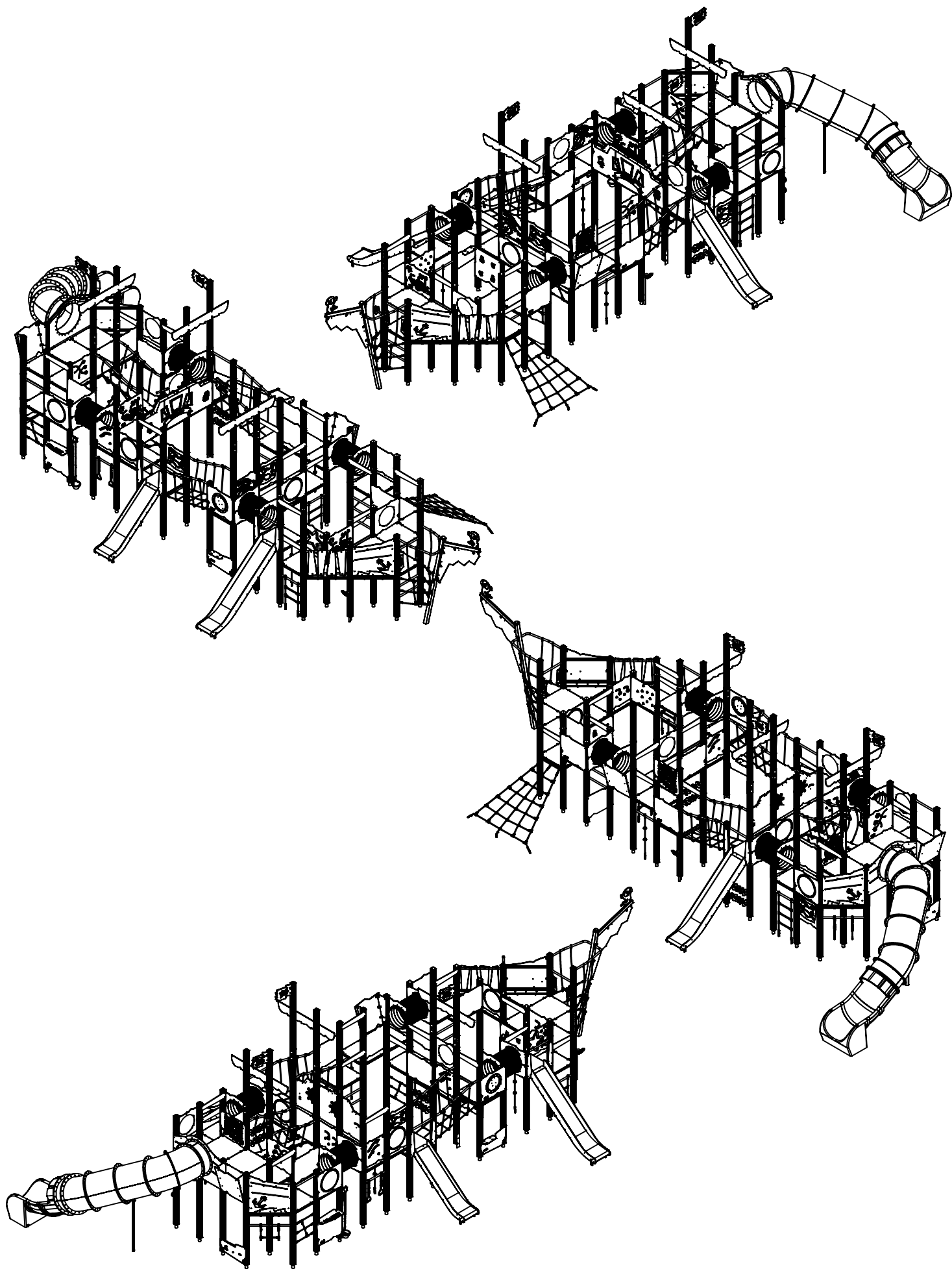


WD1418-1S1



v010
10.02.2022
A.D.
[cm]

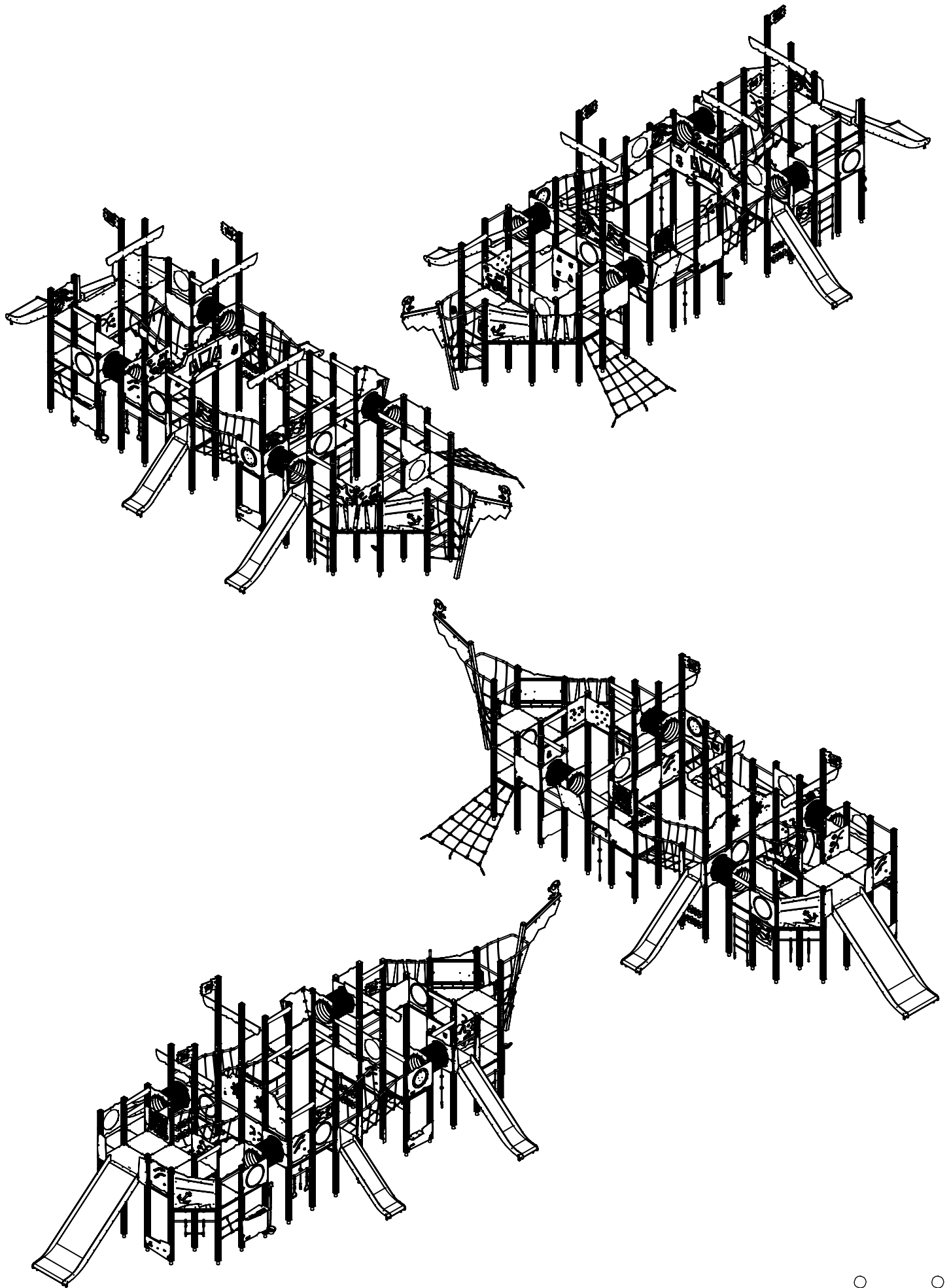
vinci
play



[cm]

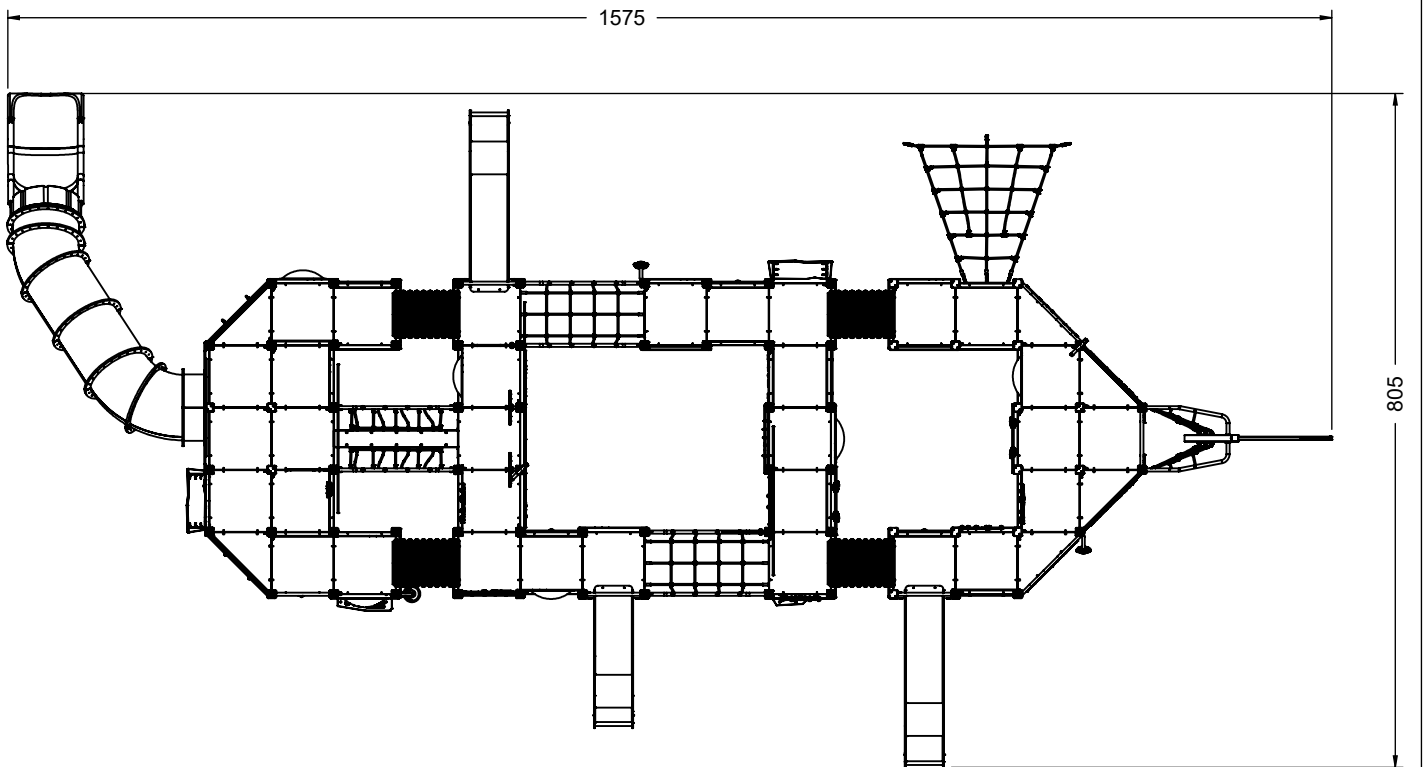
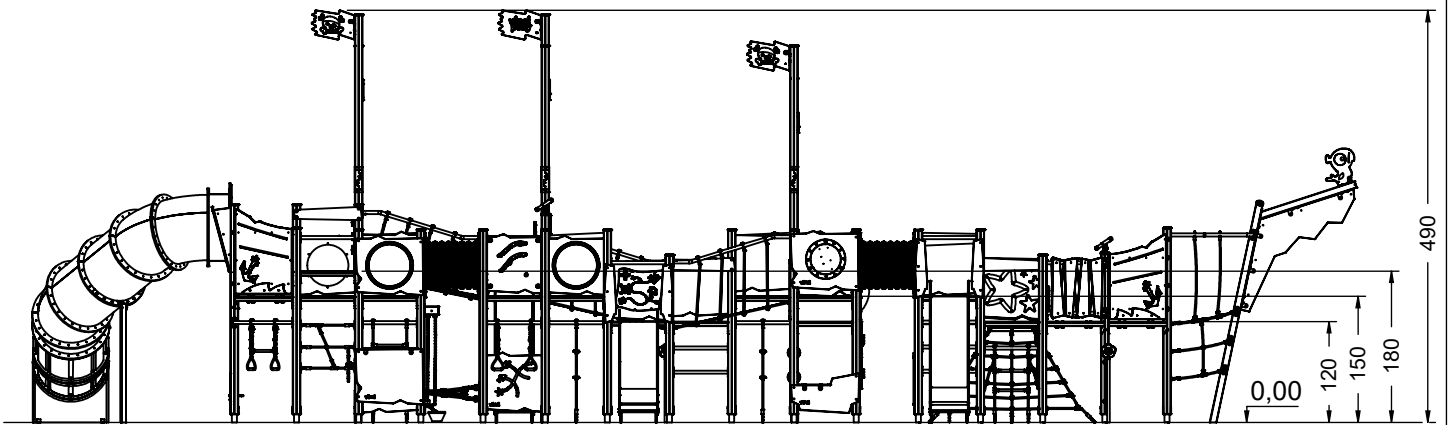
vinci
play

WD1418-1S1



[cm]

vinci
play

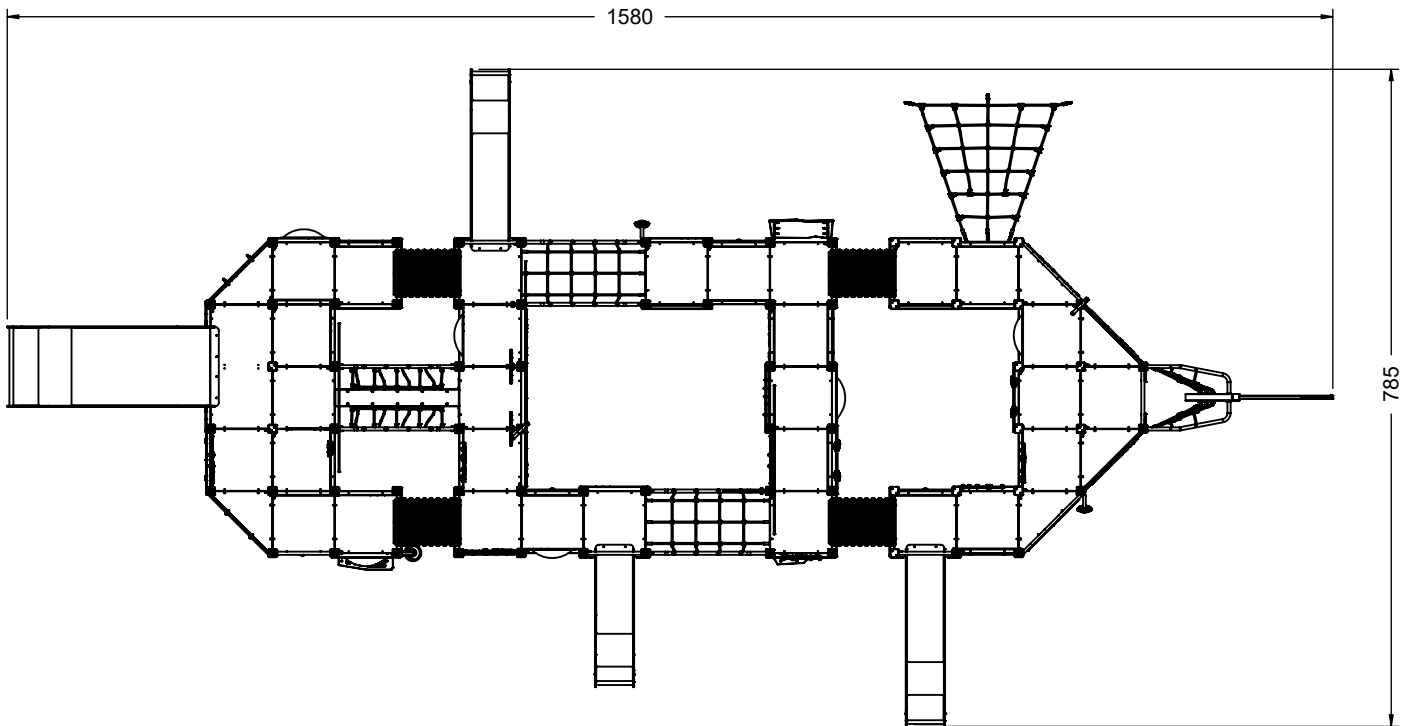
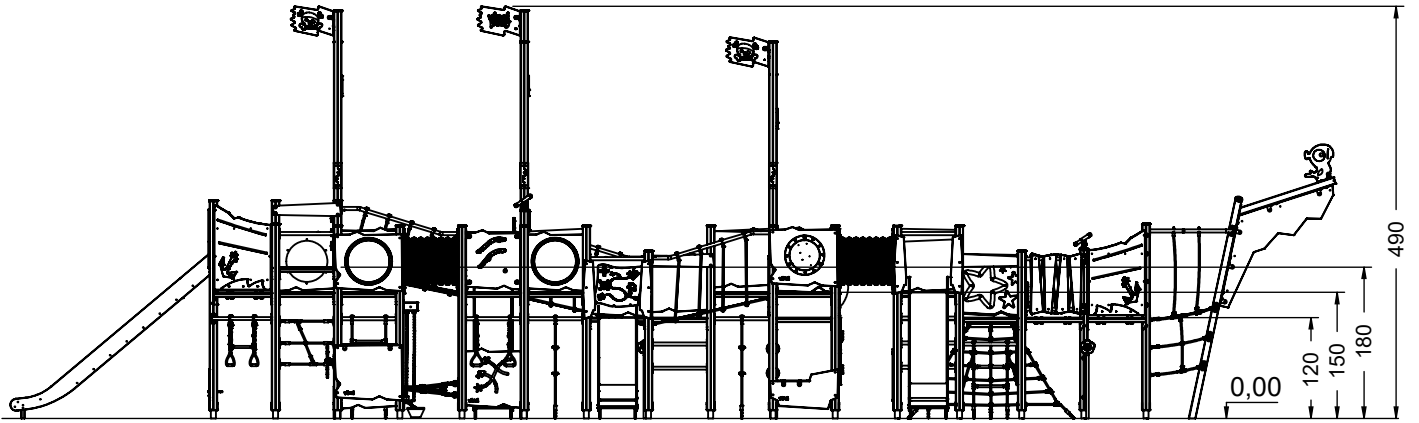


[cm]



vinci
play

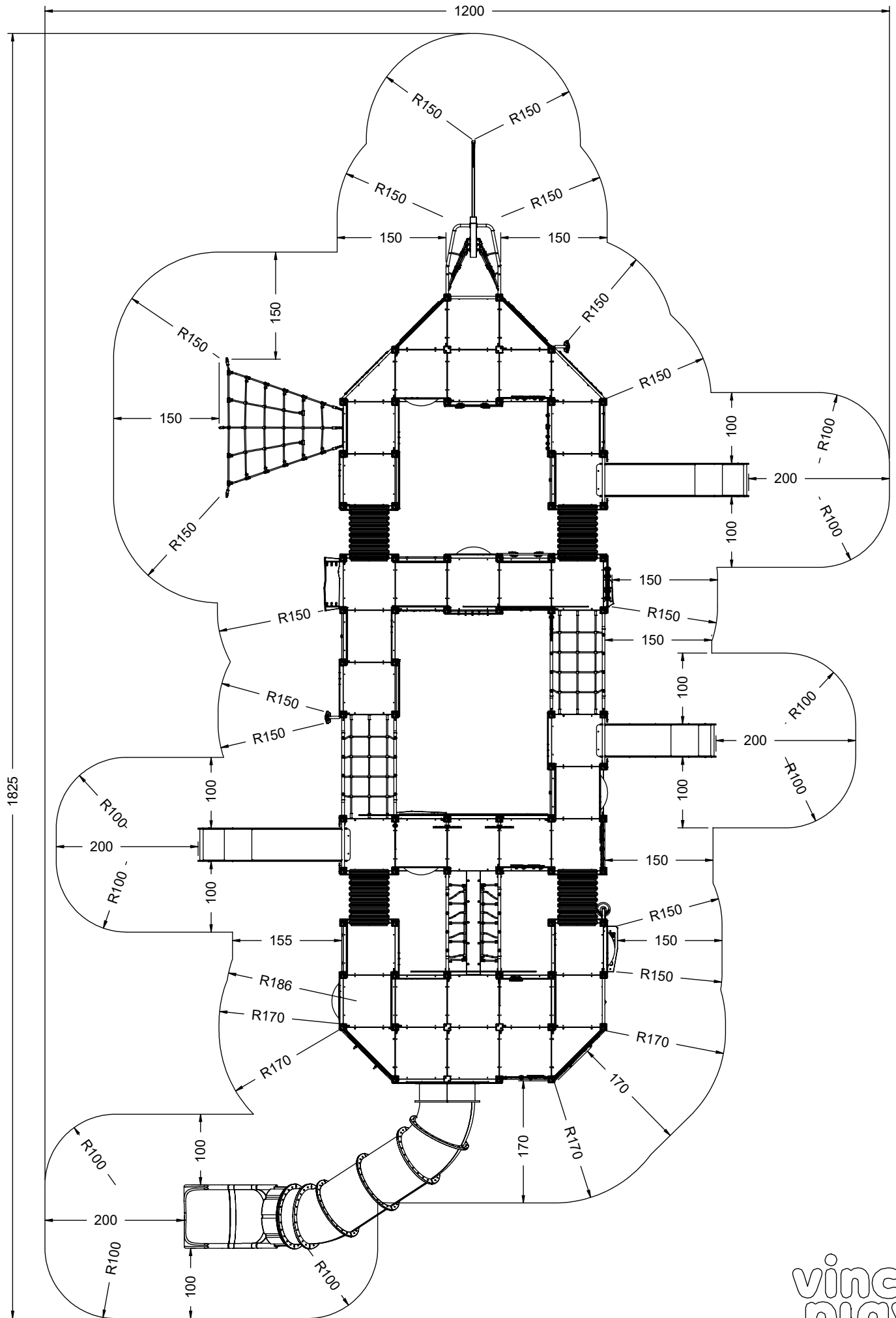
WD1418-1S1



[cm]



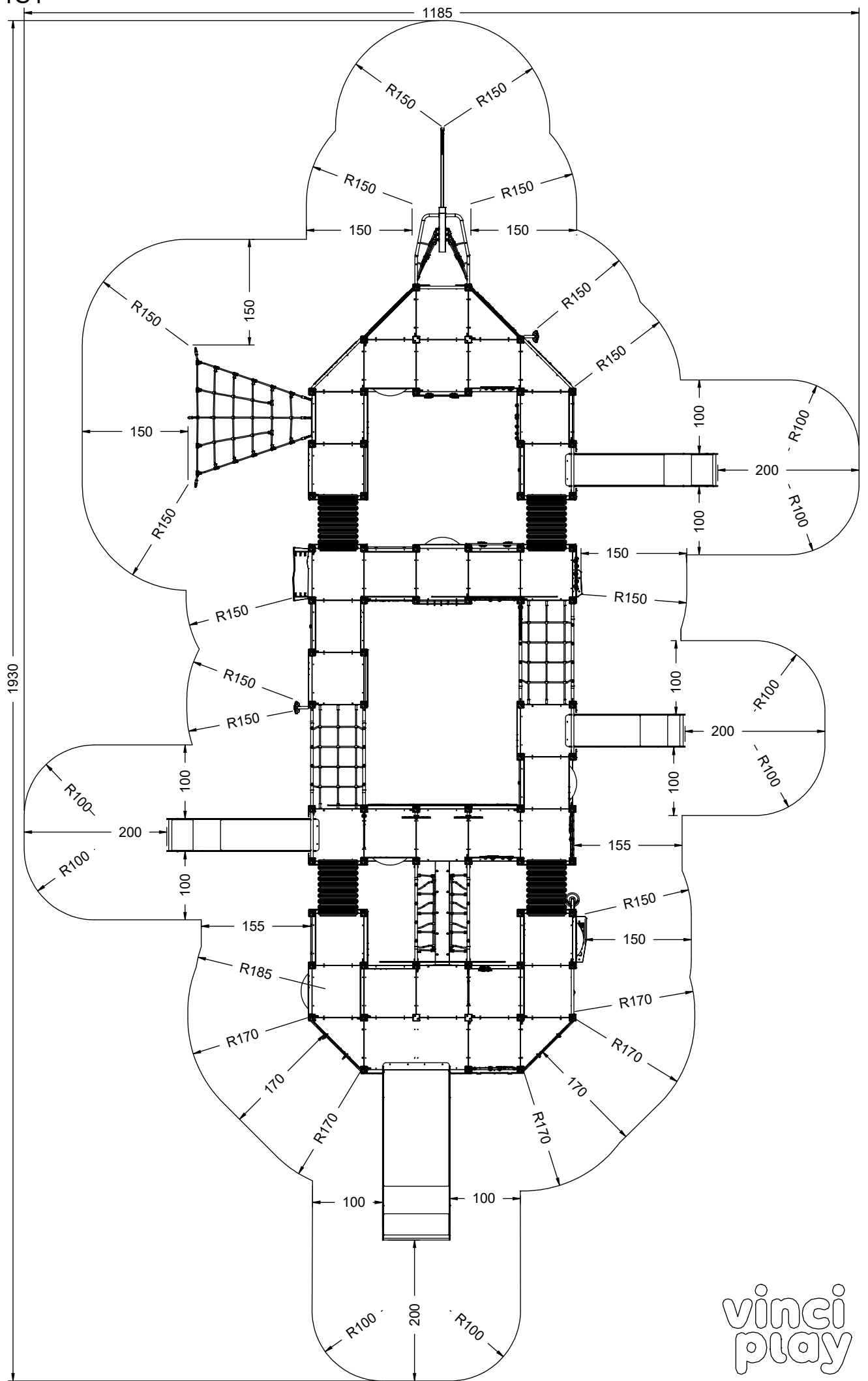
vinci
play



[cm]

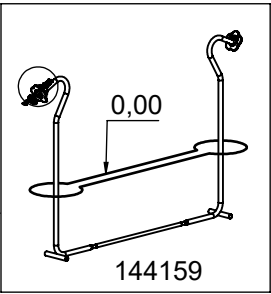
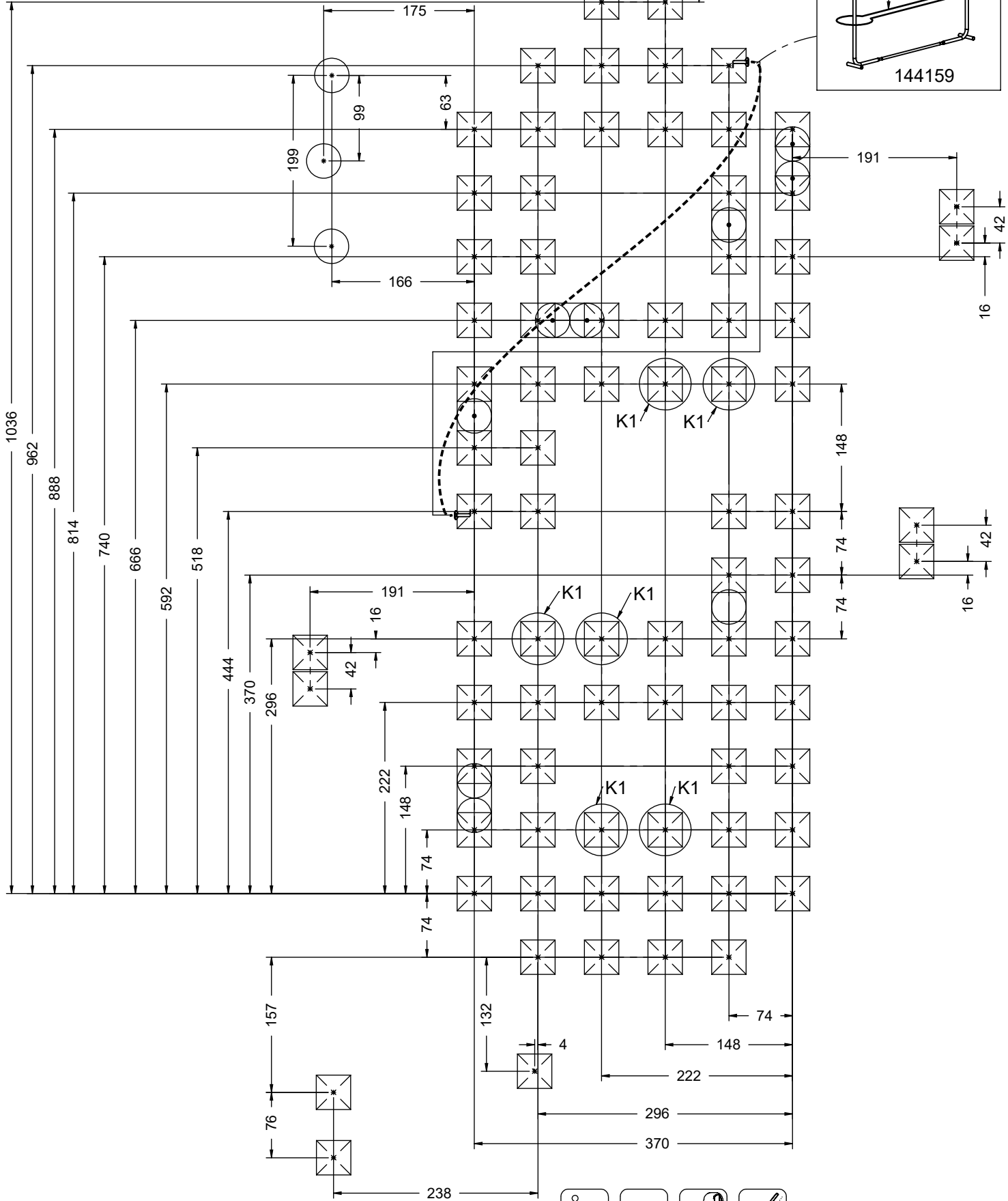
vinci
play




WD1418-1S1


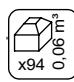



[cm]

vinci
play



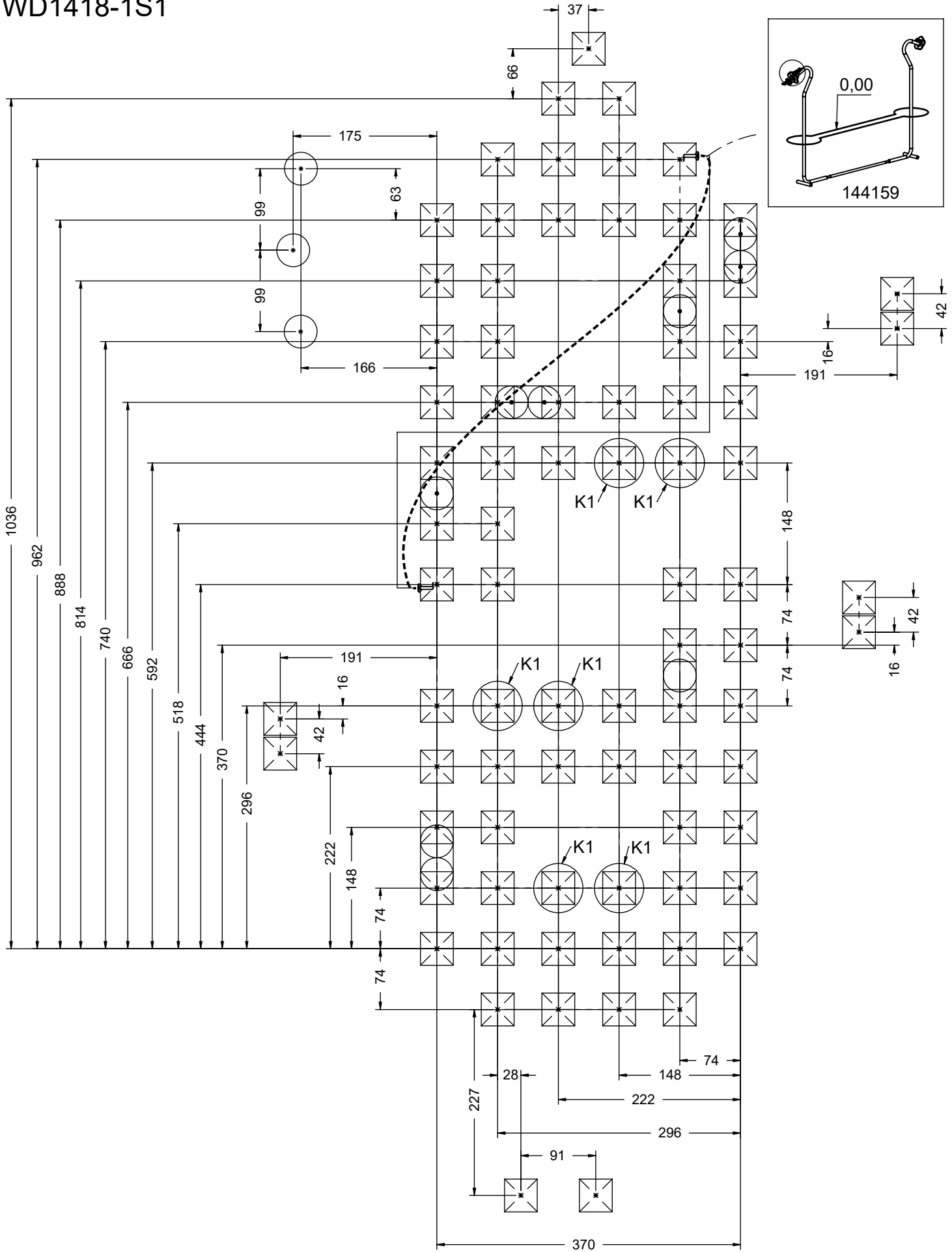
 x2 24h  

 48h  x94 0,06 m²  K2/K3 x94 >0,02m²







vinci
play

[cm]

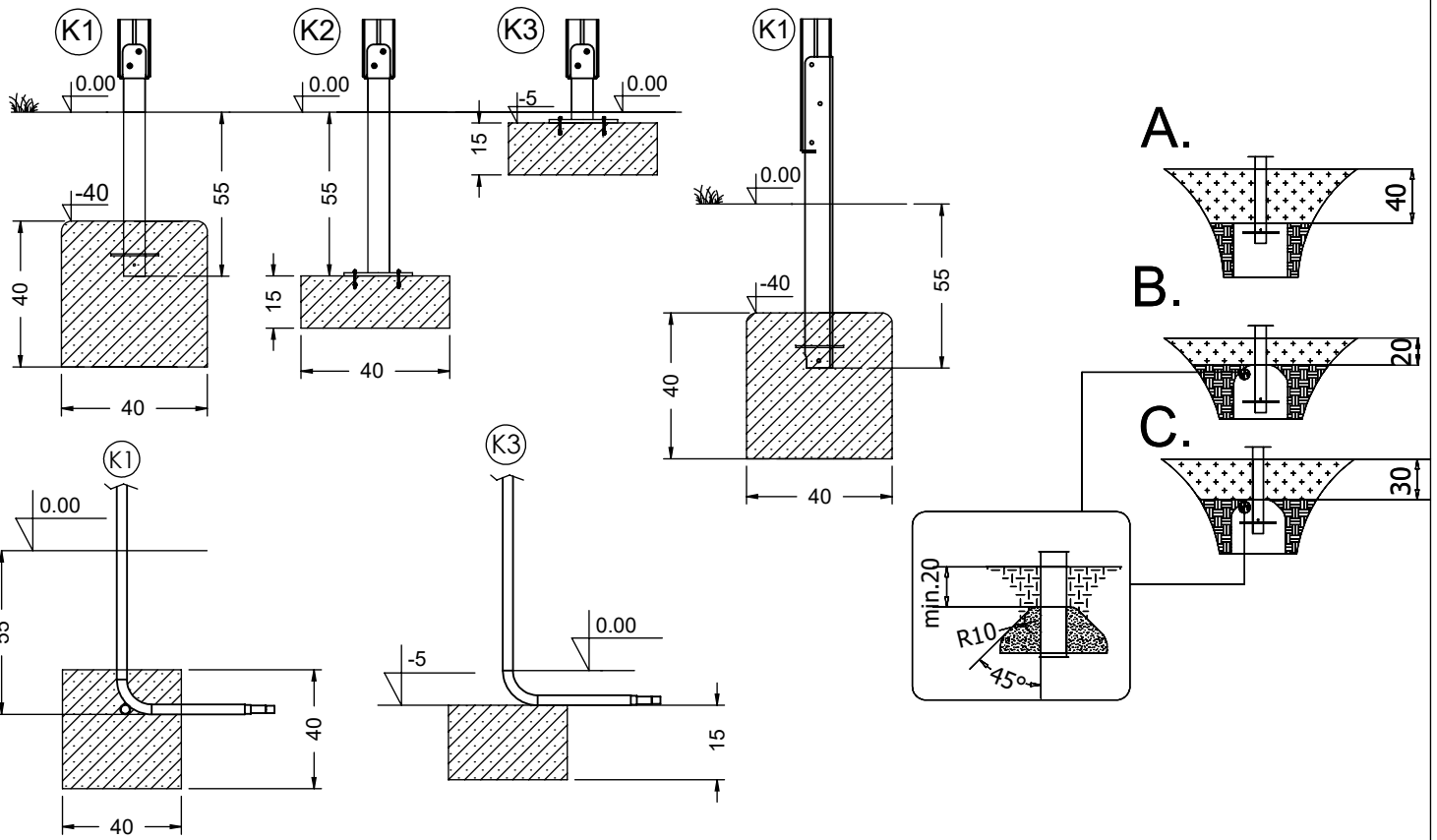
WD1418-1S1



[cm]

 x2	24h		
 x93	48h	 0,06 m ³	 K2/K3 x93 >0,02m ³

vinci
play



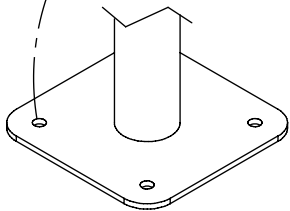
WD1418-1S1

6x M8x120 (K2)

NOT INCLUDED

292x M10x120 (K2)
298x M10x120 (K3)

NOT INCLUDED



x93 0,06 m³

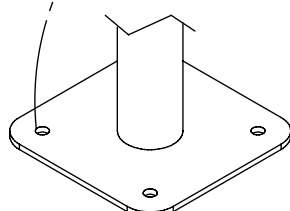
WD1418-1S2

8x M8x120 (K2)

NOT INCLUDED

292x M10x120 (K2)
300x M10x120 (K3)

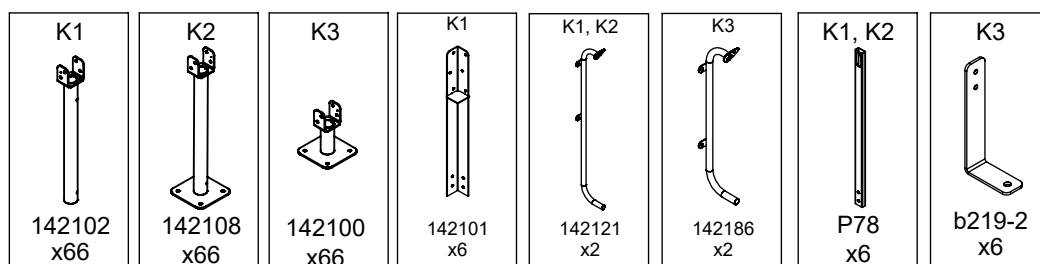
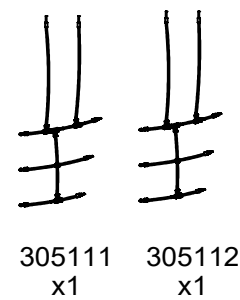
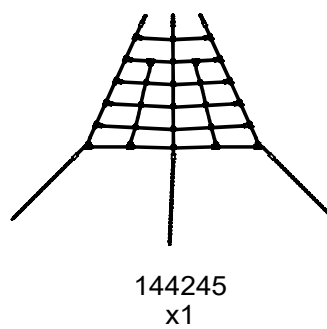
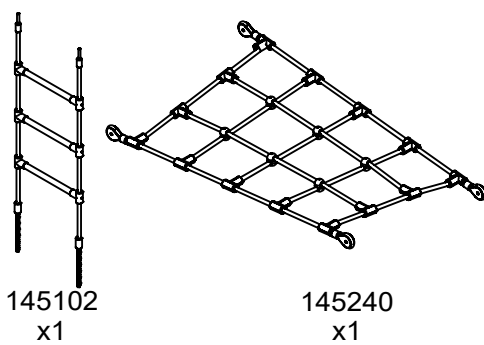
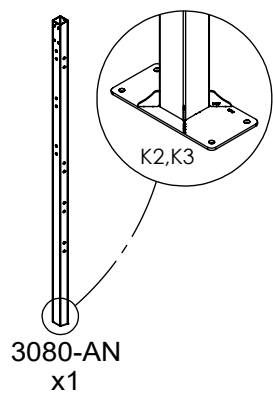
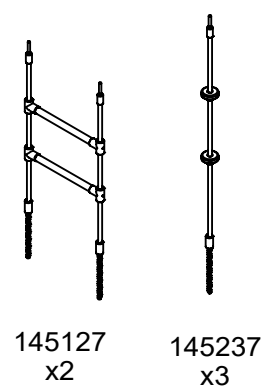
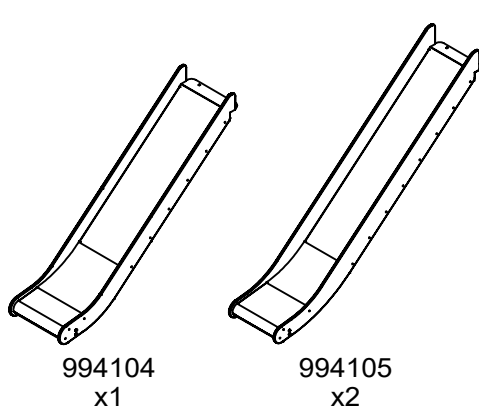
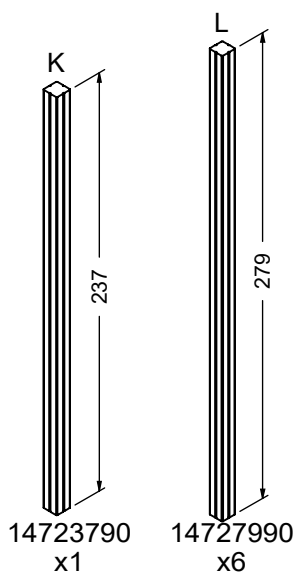
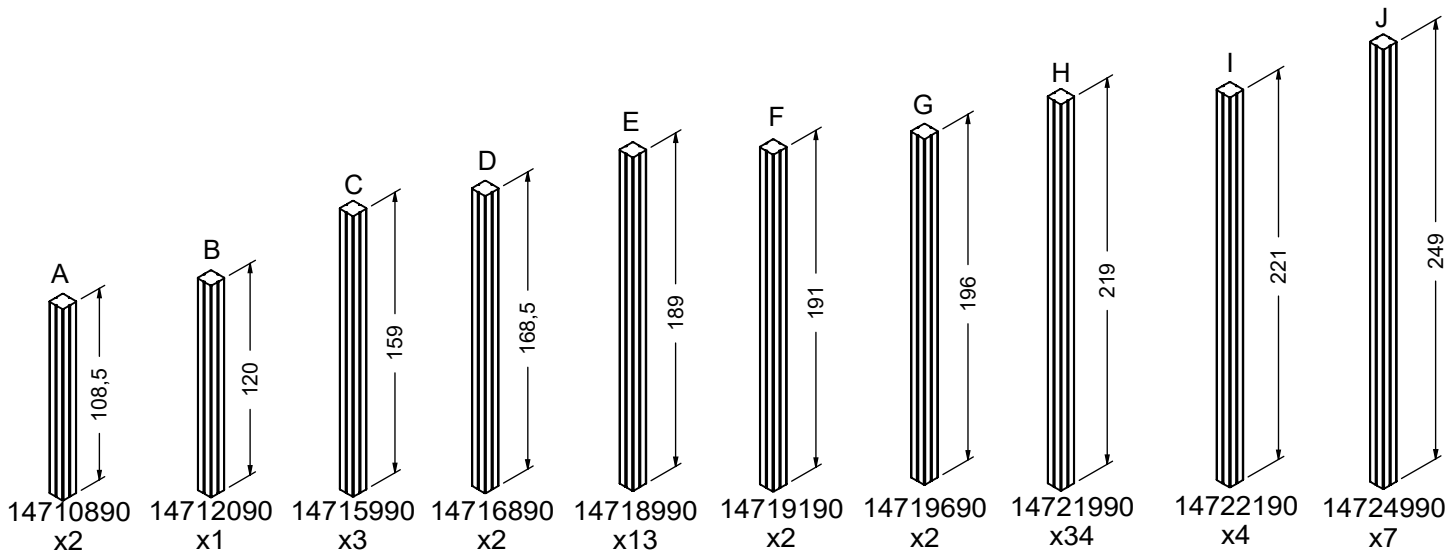
NOT INCLUDED



x94 0,06 m³

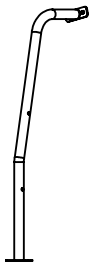
[cm]

vinci play



[cm]

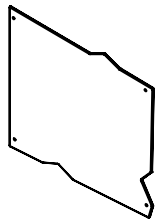
vinci play



302141
x1



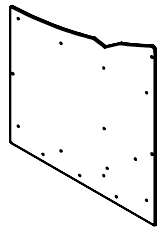
302142
x1



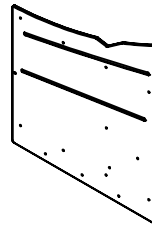
141125
x5



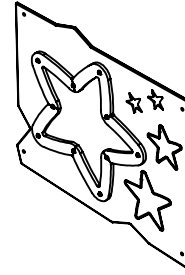
141155
x4



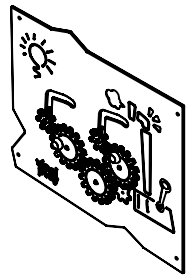
141444
x2



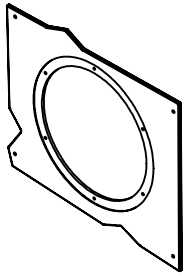
141445
x2



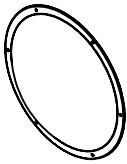
141233
x1



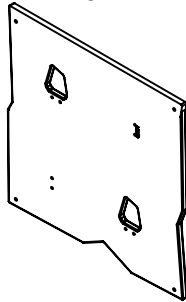
141232
x2



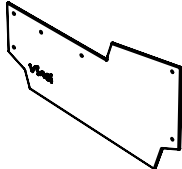
141128
x6



996184
x6



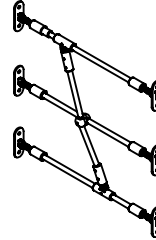
141108
x2



141135
x1



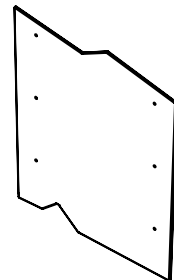
141136
x1



145121
x2



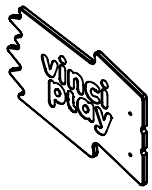
141137
x2



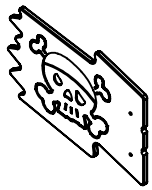
141138
x1



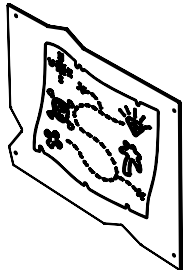
141286
x3



301238
x1



301239
x2



141127
x3



141303
x2



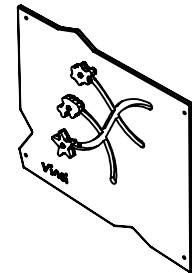
144126
x4



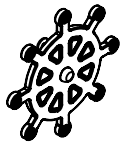
144247
x2



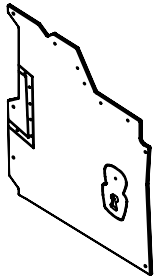
995100
x4



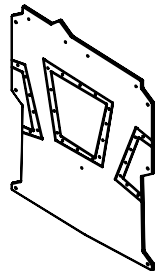
141139
x2



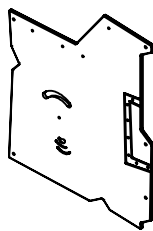
991106
x4



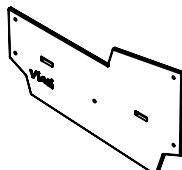
141437
x1



141438
x1



141439
x1



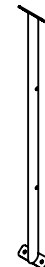
141184
x1



141185
x1



994121
x1



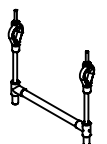
142171
x2



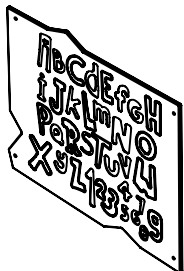
142103
x4



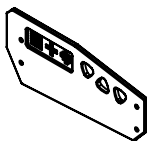
141142
x8



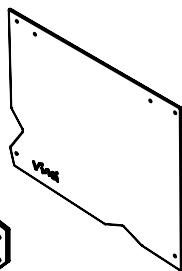
145256
x1



141250
x2



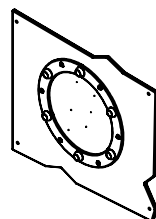
141253
x1



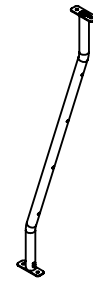
141152
x1



b341
x1



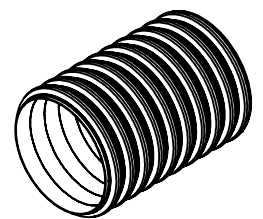
141320
x1



142138
x6



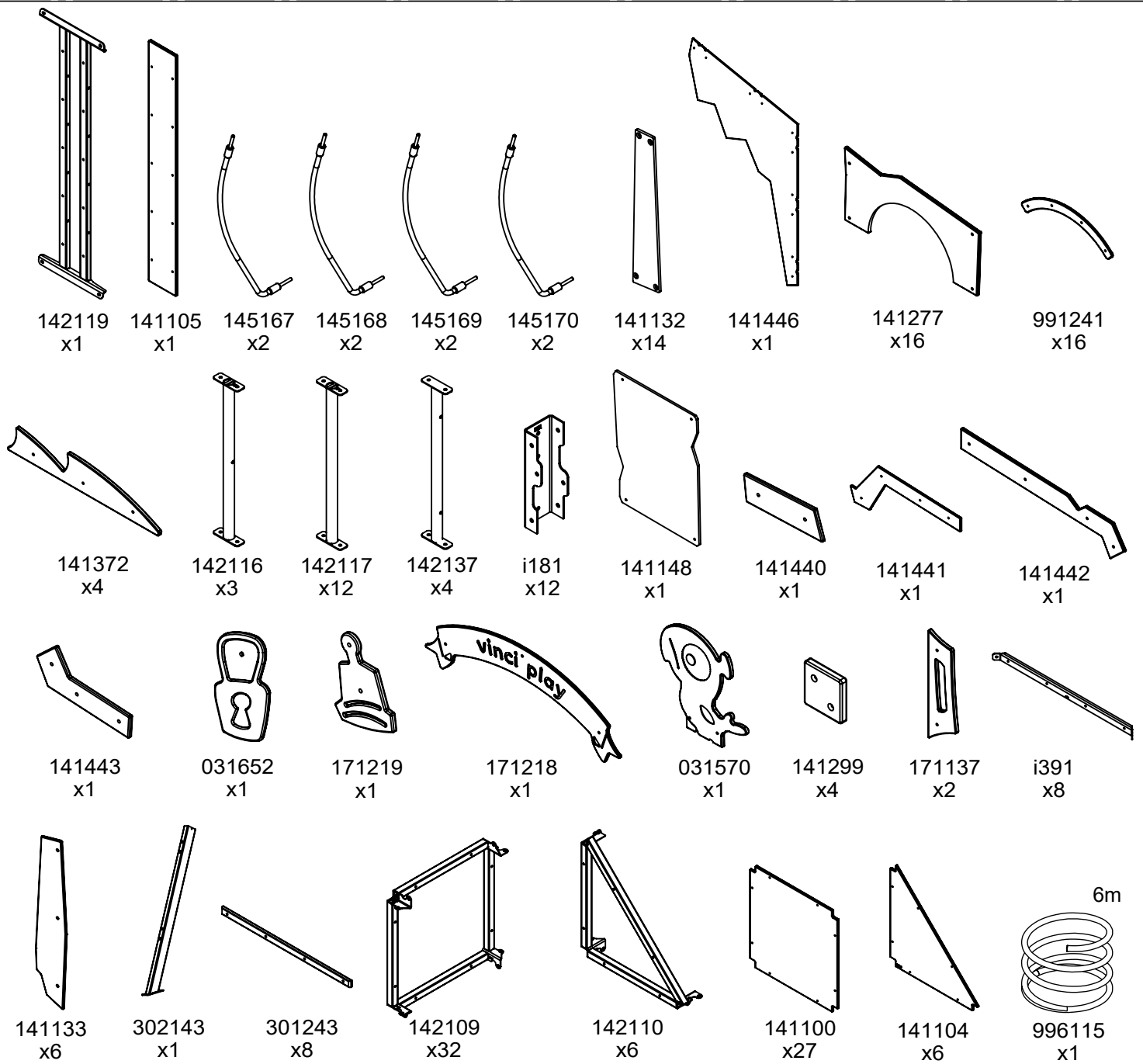
b144
x4



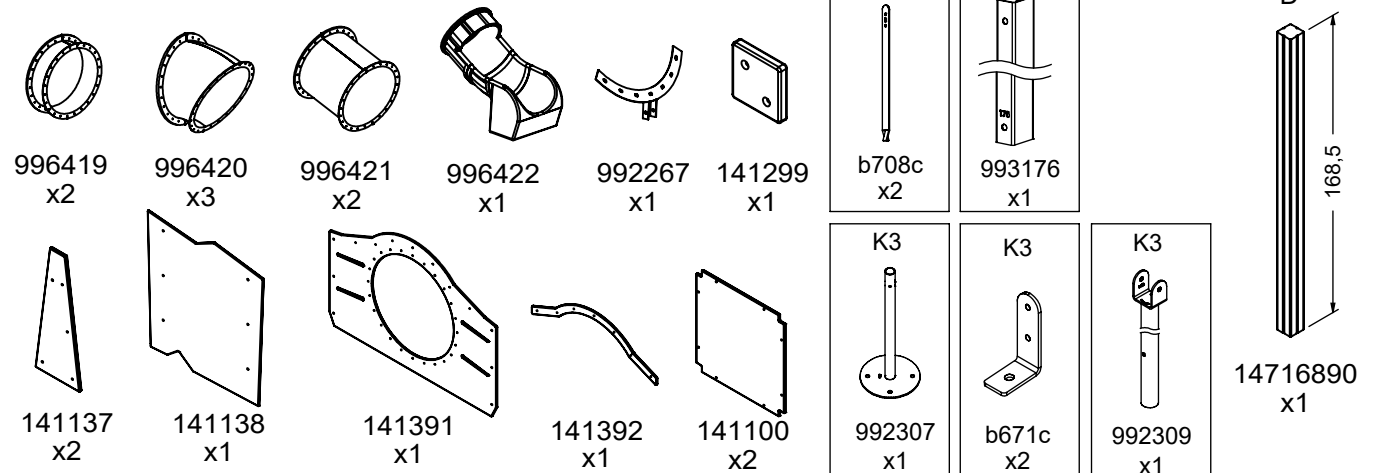
996143
x4

[cm]

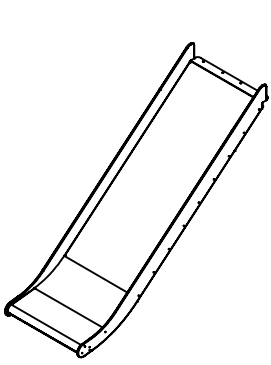
vinci
play



WD1418-1S2



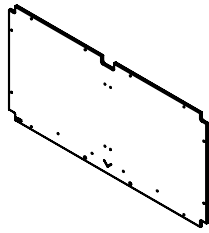
WD1418-1S1



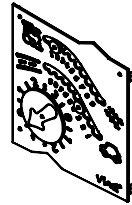
994153
x1



14717040
x1



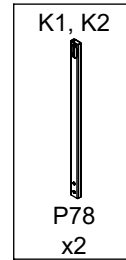
141141
x1



141303
x1

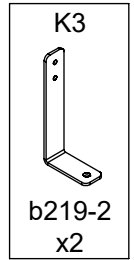


141146
x2



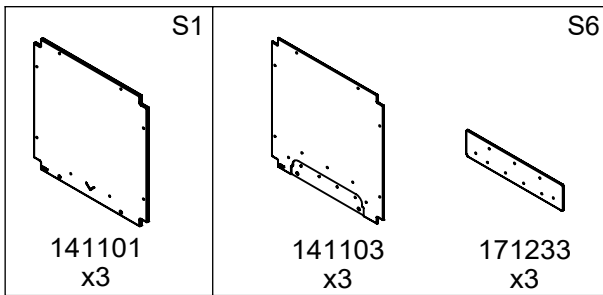
K1, K2

P78
x2



K3

b219-2
x2

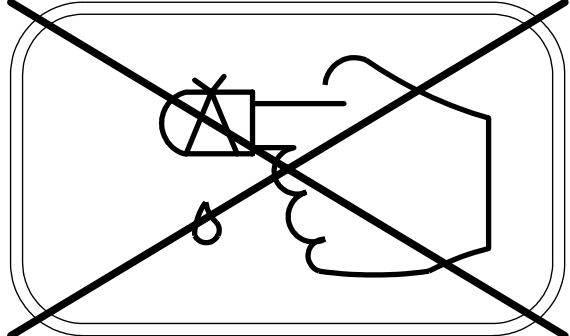
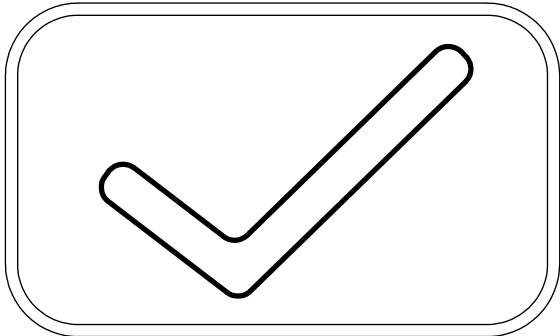
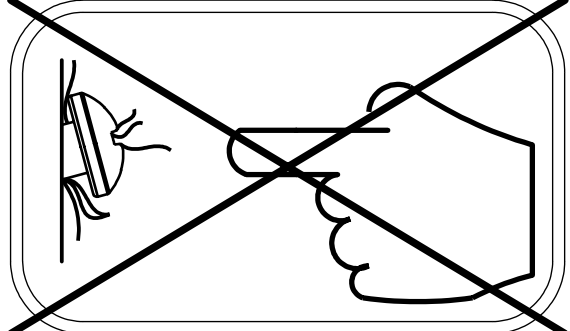
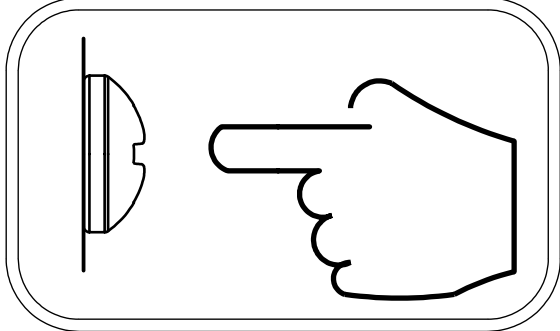
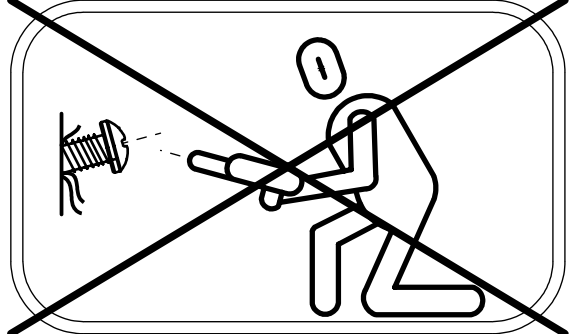
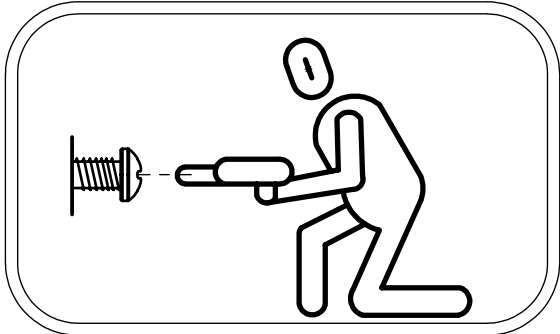


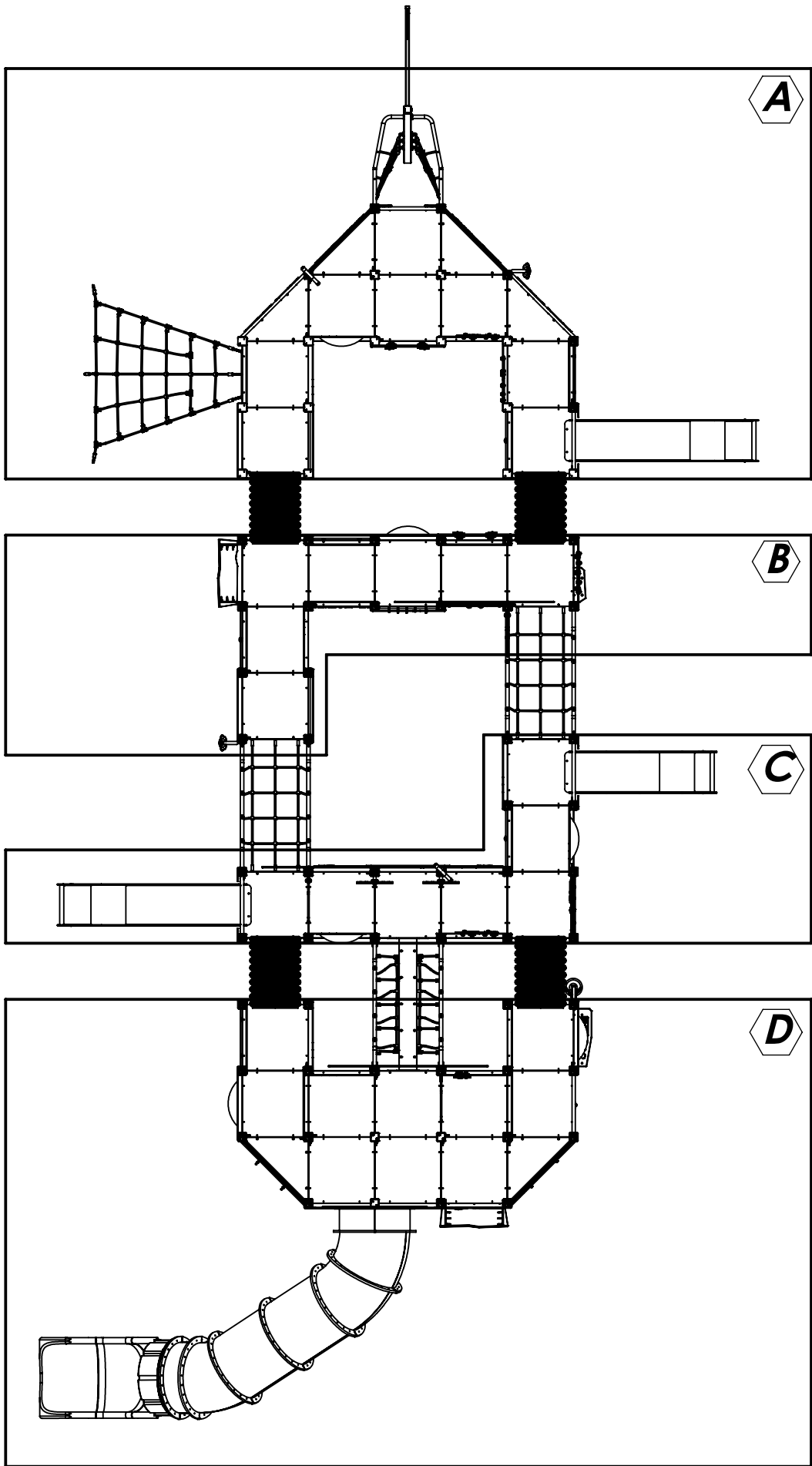
PLYWOOD / HDPE		HPL	
1x	CE6	1x	CL6
2x	CE8	2x	CL8
6x	CE9	6x	CL9
2x	CE83	2x	CL83
1x	PS52	1x	PH52
3x	WD28 _(S1)	3x	WD29 _(S1)
1x	WD40	1x	WD41
1x	WD42	1x	WD43
5x	WD63	5x	WD64
2x	WD72	2x	WD73
12x	WD74	12x	WD75
22x	WD76	22x	WD77
1x	WD65	1x	WD90
1x	WD112	1x	WD137
3x	WD113 _(S6)	3x	WD114 _(S6)
2x	WE125	2x	WL125
4x	WE126	4x	WL126
1x	WD132	1x	WD133
2x	WD182	2x	WD181
1x	c084	1x	WD252
1x	c086	1x	WD253
8x	c080	3x	c074
		8x	E130
		9x	WD213
		3x	17p061 _(S6)

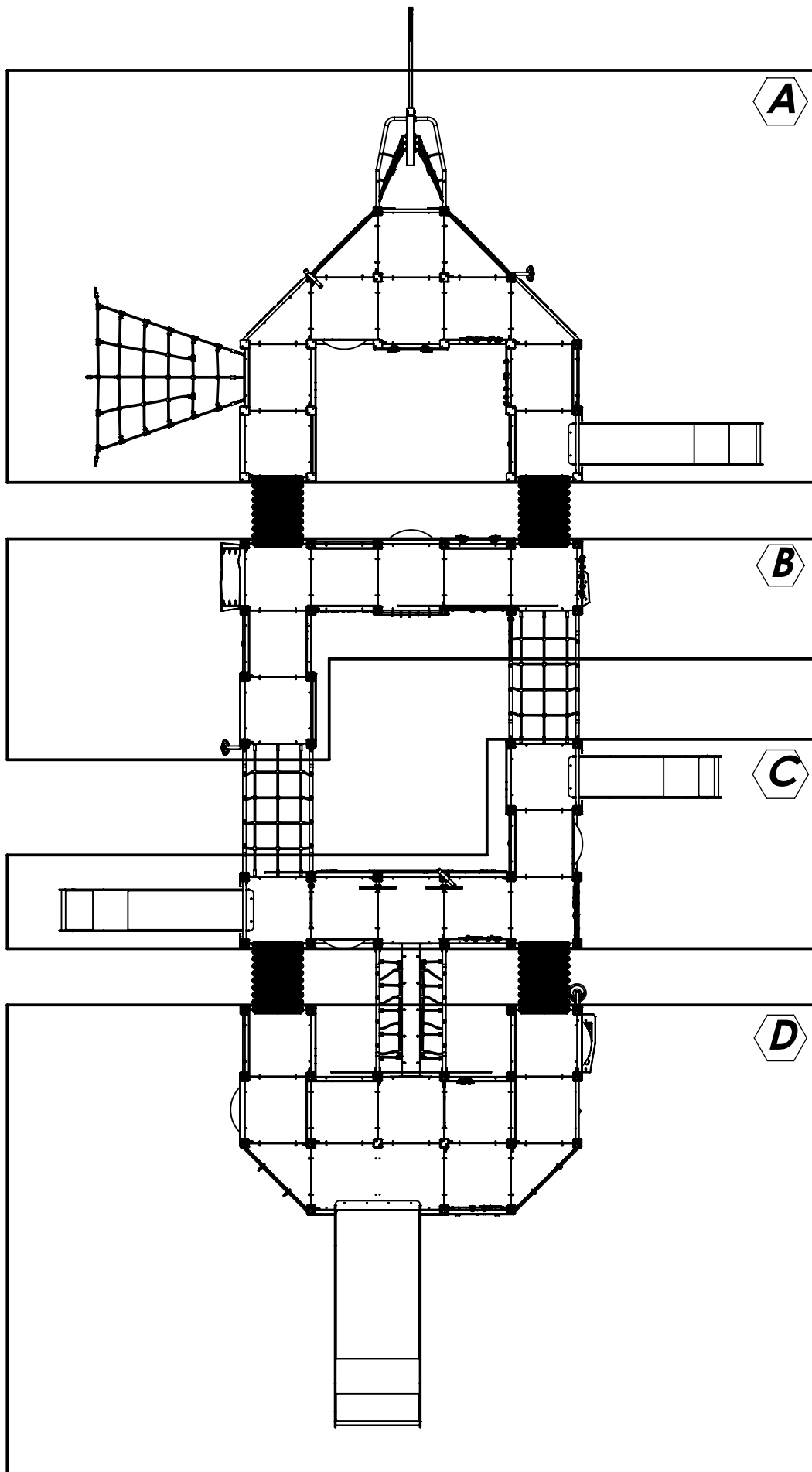
ST/INOX	
12x	6x50 sxs
4x	6x80 sxi
1264x	8x50 sxi
20x	10x25ikl
16x	10pp
1x	c002
4x	c140
1x	E10
3x	E34 _(K1,K3)
3x	E35 _(K2)
4x	E150
1x	E169
3x	i030
1x	i076
8x	i128-1
1x	V001
65x	WD1
2x	WD2
3x	WD14-1
6x	WD14-2
7x	WD14-4
12x	WD52
12x	WD50
2x	WD66
1x	WD254
2x	Z18
6x	30e030

WD1418-1S2					
ST/INOX		PLYWOOD / HDPE		HPL	
1x	c080	1x	WD65	1x	WD90
1x	c164	2x	WD76	2x	WD77
5x	30e090	1x	30c156	1x	30e098
1x	30e091				
1x	30e092				
1x	30e095				
1x	30e093				
1x	30e096 _(K1)				
1x	30e101 _(K3)				

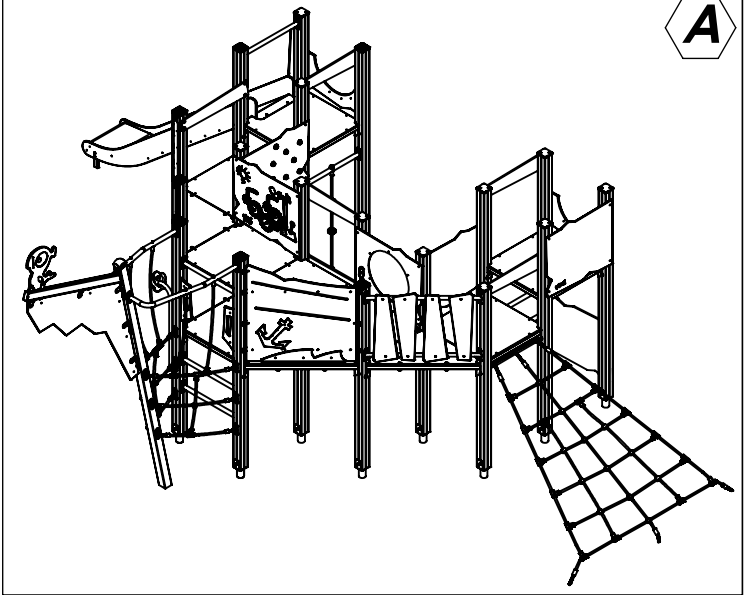
WD1418-1S1					
ST/INOX		PLYWOOD / HDPE		HPL	
1x	E34 _(K1,K3)	1x	CE49	1x	CL49
1x	E35 _(K2)	1x	CE83	1x	CL83
1x	WD1-1	1x	WD74	1x	WD75
4x	i128-1	1x	WD76	1x	WD77
		1x	WD80	1x	WD81
		1x	WE125	1x	WL125
		1x	WE126	1x	WL126







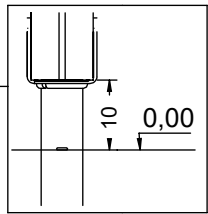
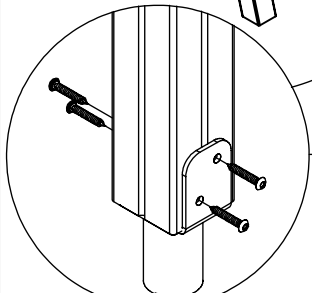
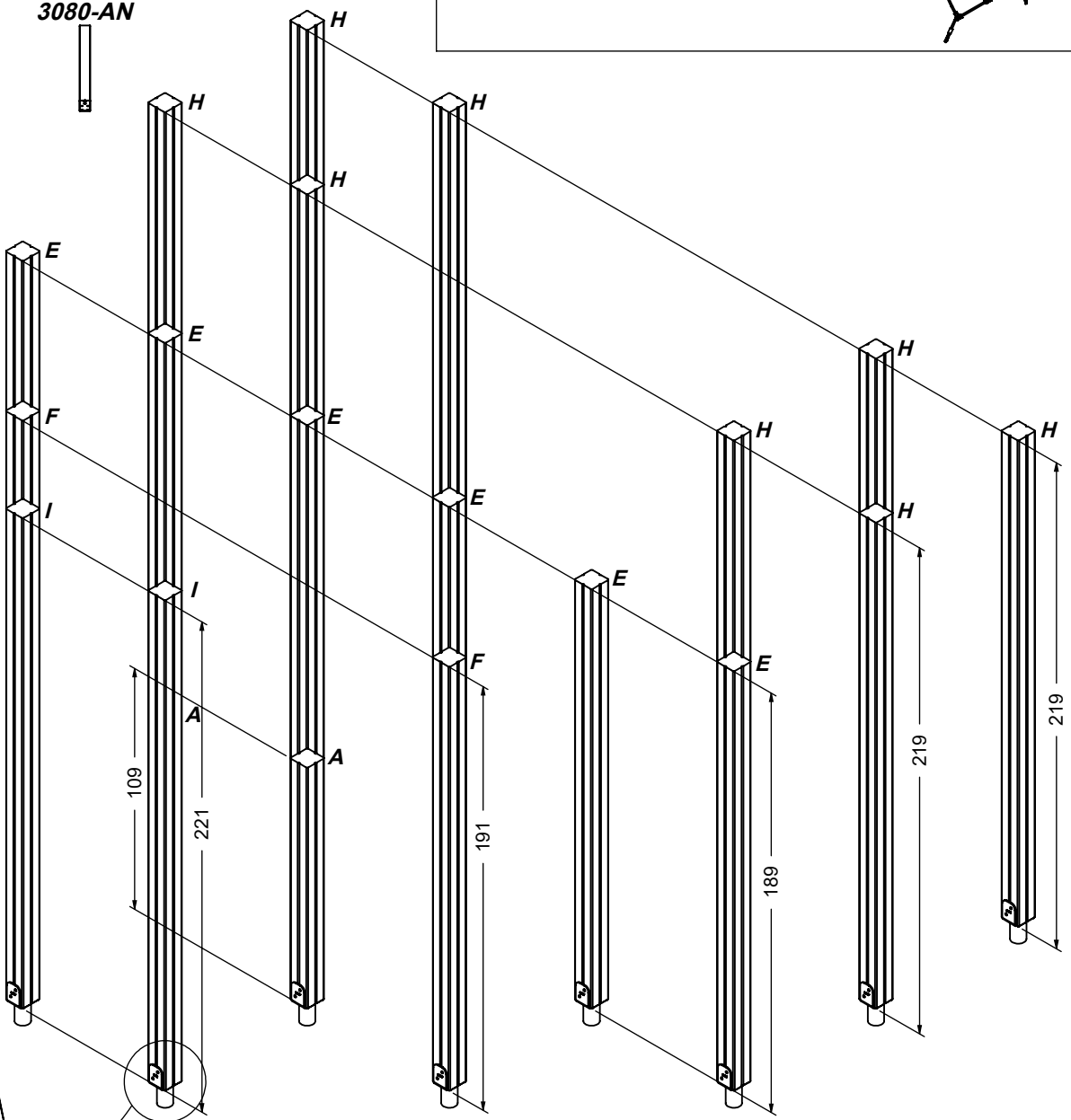
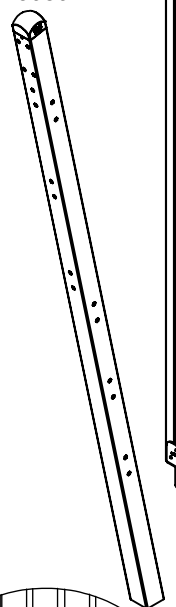
- H □ H □ H □ H □
- H □ H □ H □ H □
- E □ E □ E □ E □ E □ E □
- F □ A □ A □ F □
- I □ I □



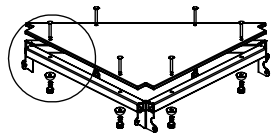
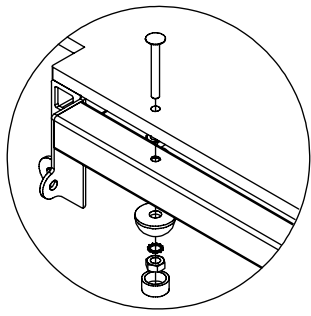
3080-AN



3080-AN

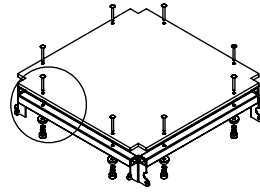
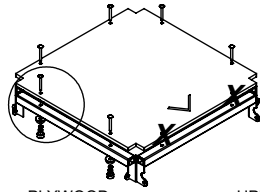


[cm] 8x50sxi



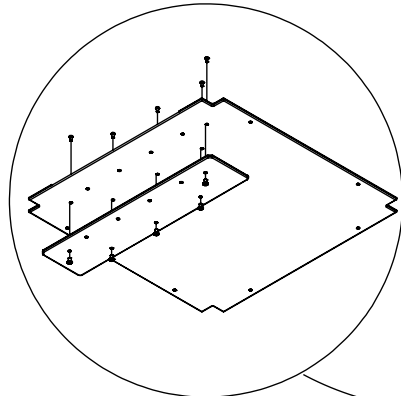
PLYWOOD
WD74

HPL
WD75

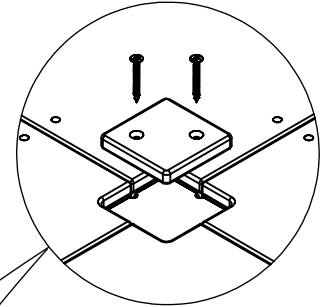


PLYWOOD
WD76

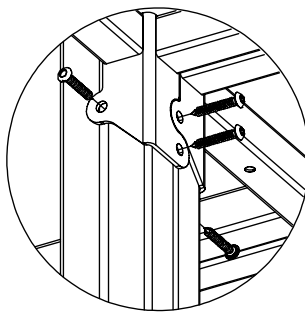
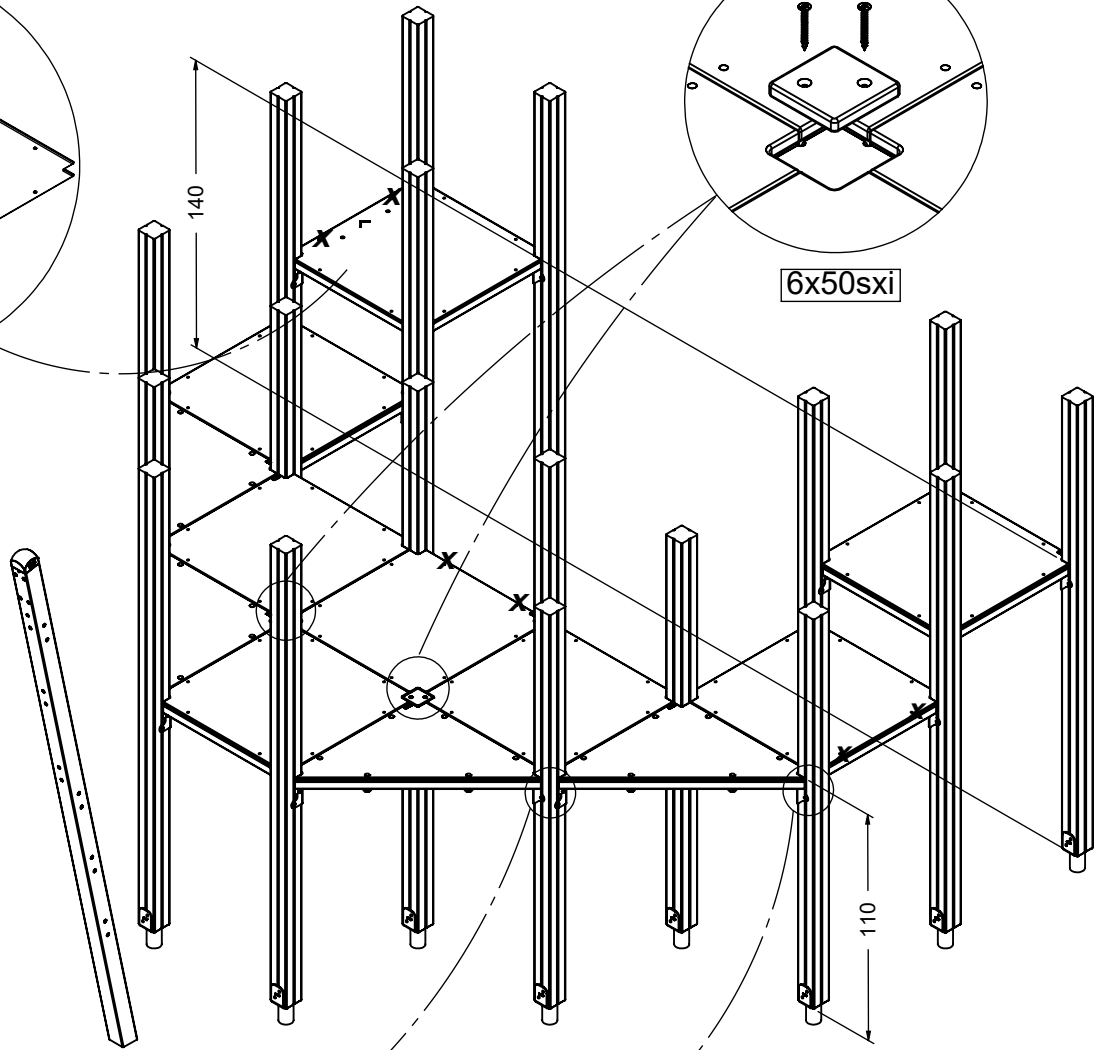
HPL
WD77



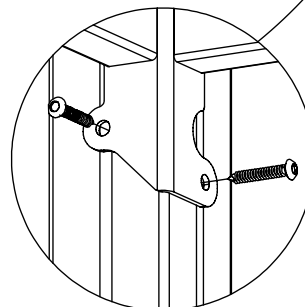
17p061 s6



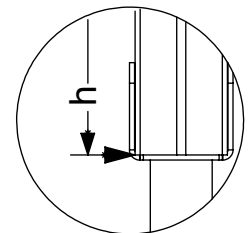
6x50sxi



8x50sxi



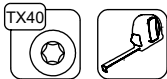
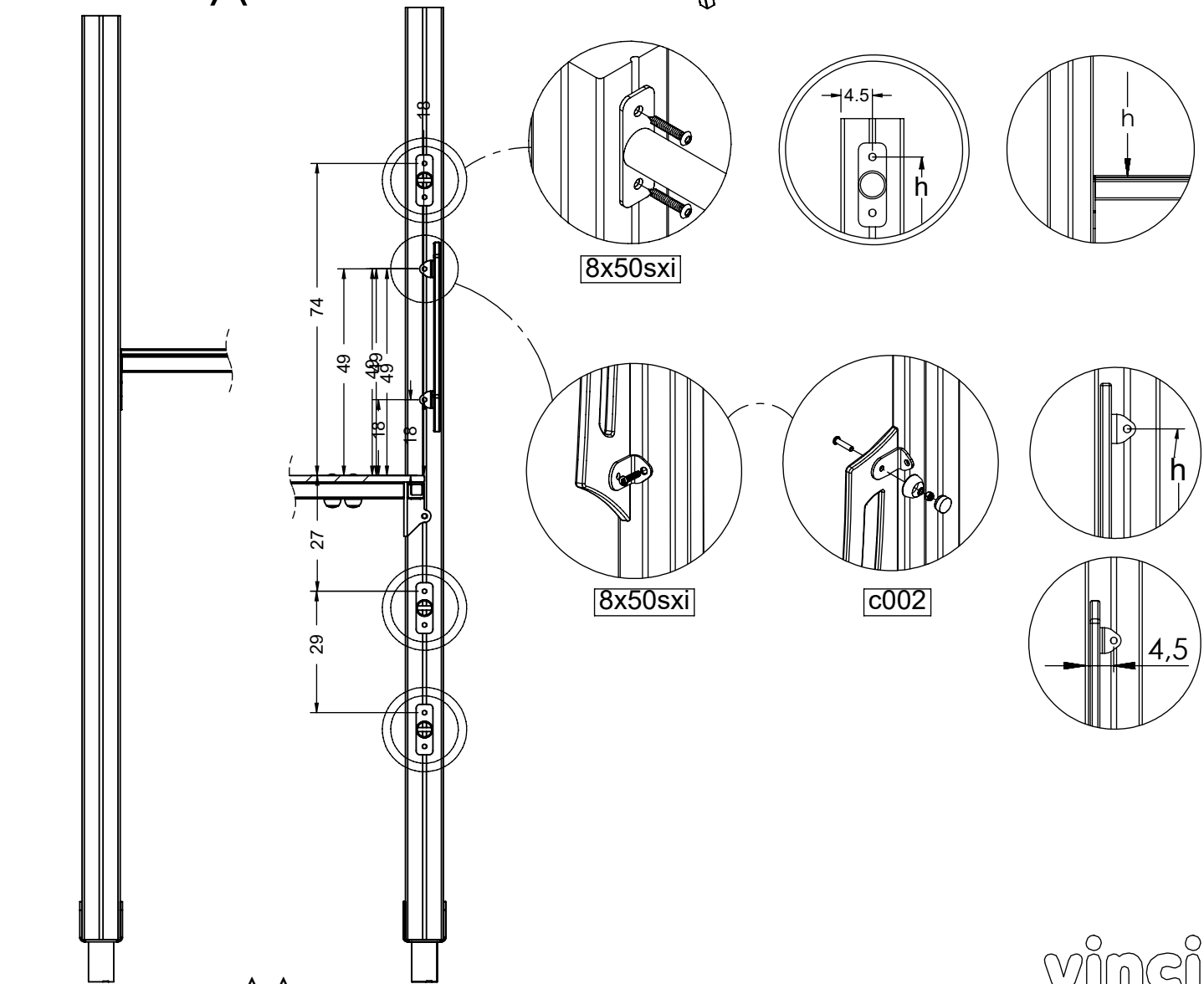
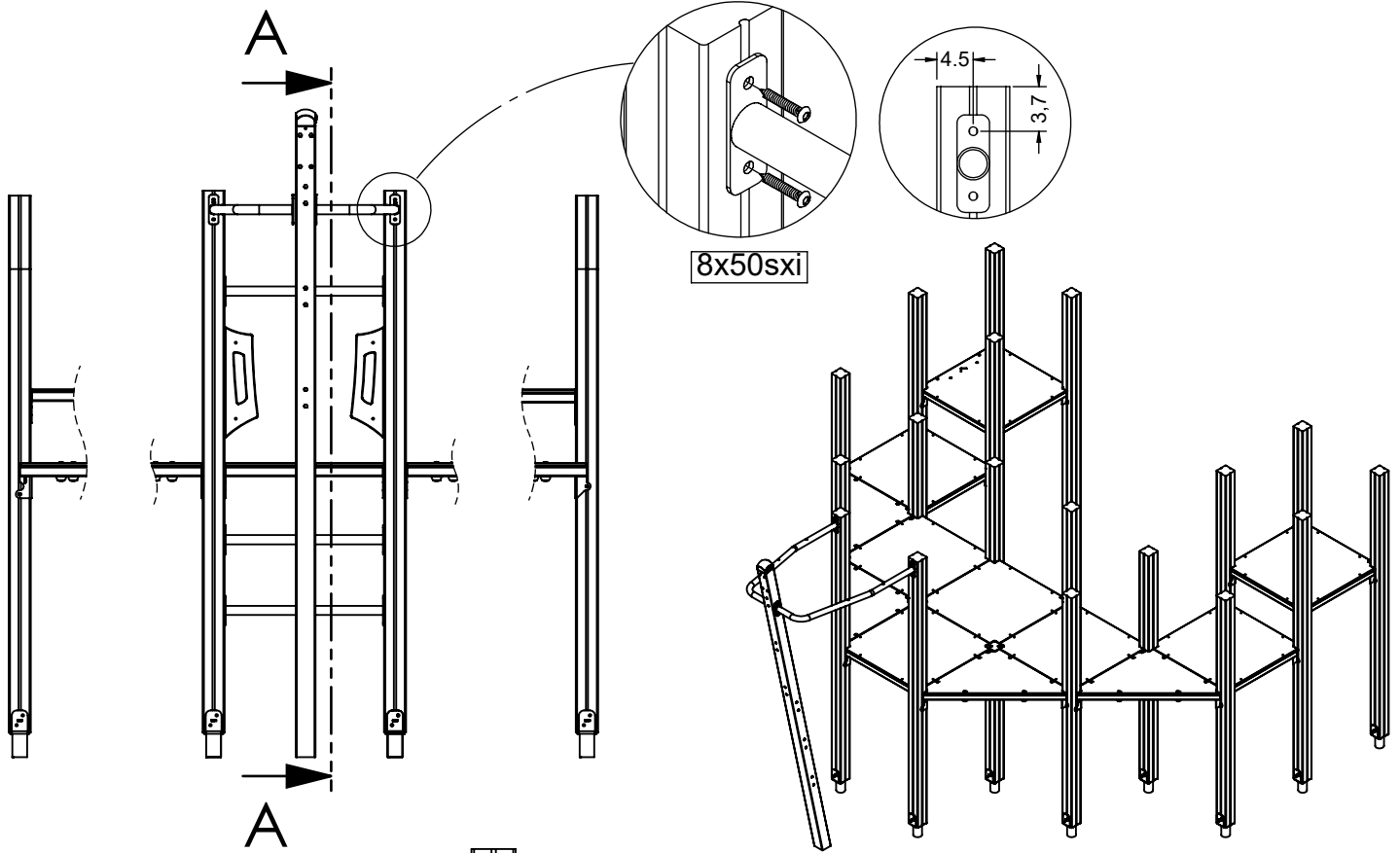
8x50sxi



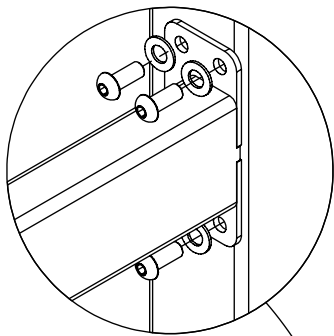
[cm]



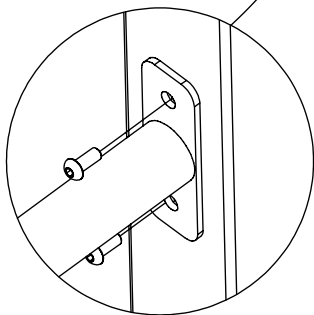
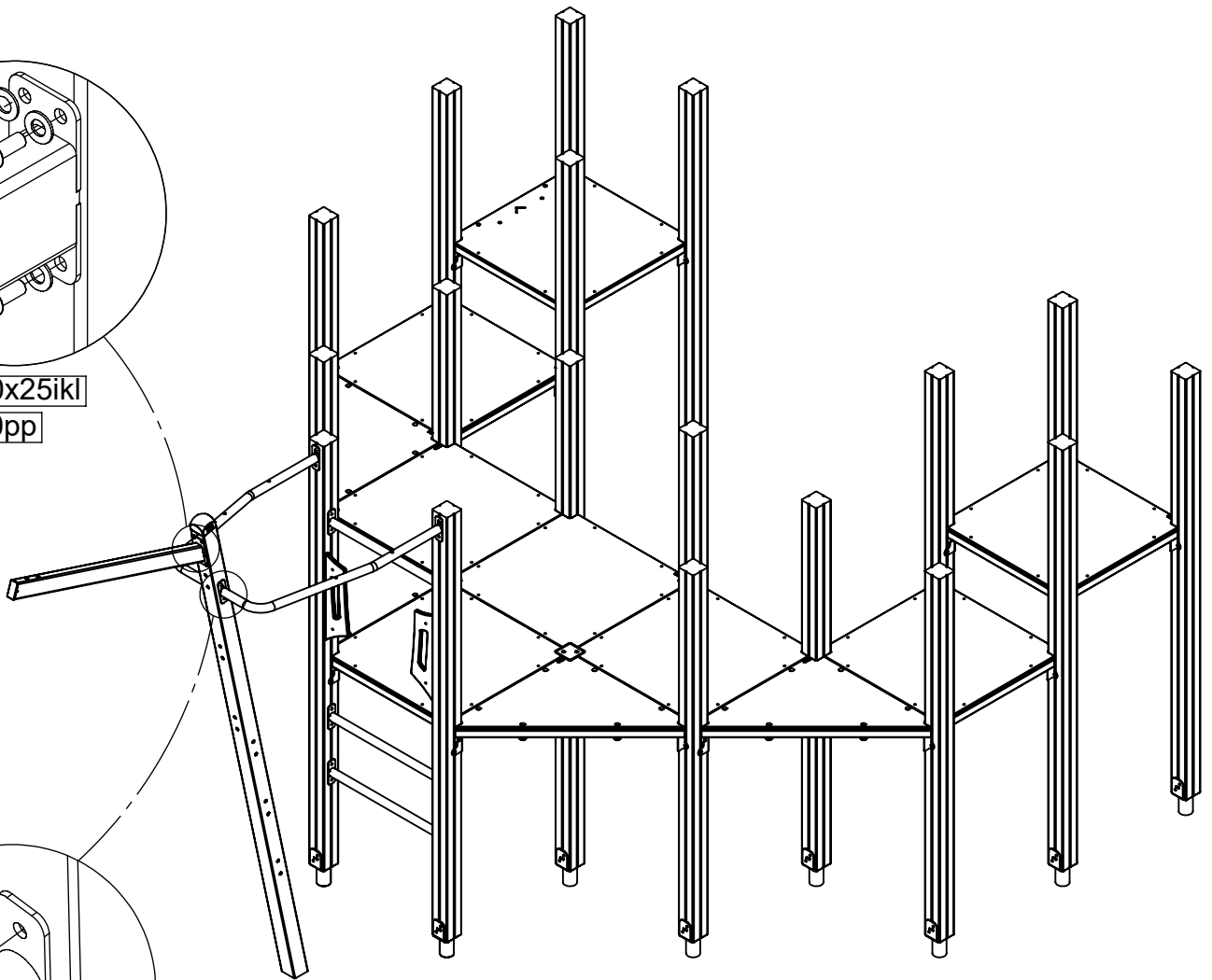
vinci
play



vinci
play



10x25iKl
10pp

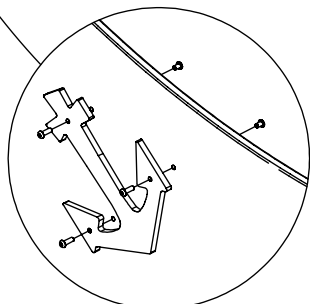
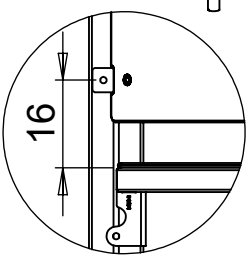
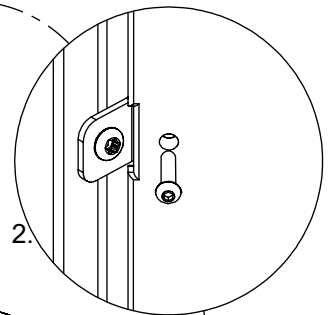
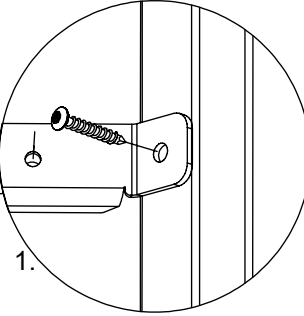
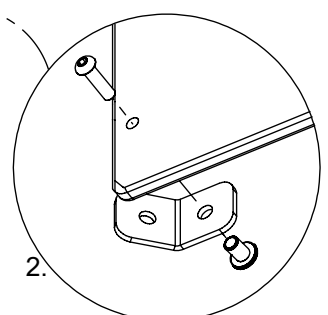
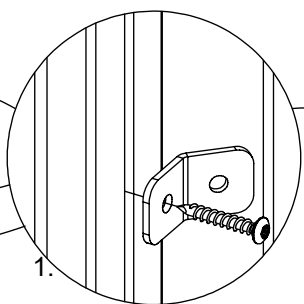
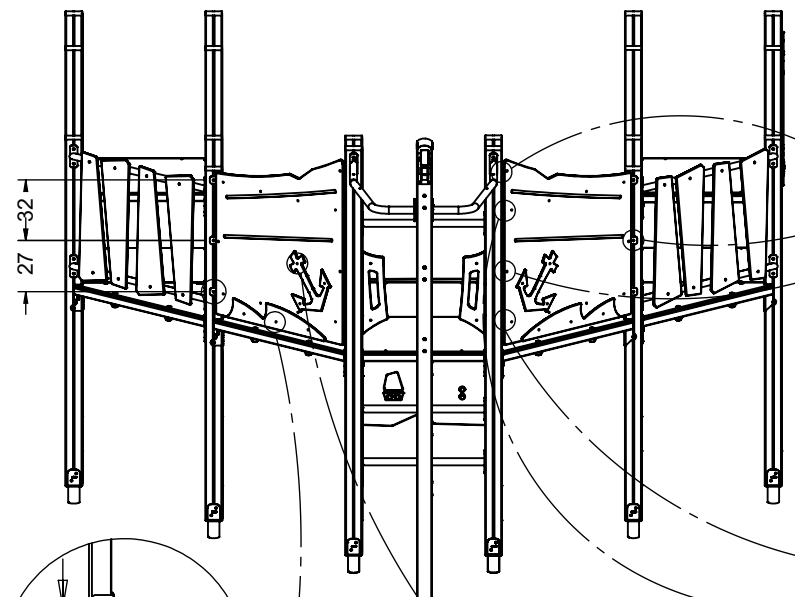
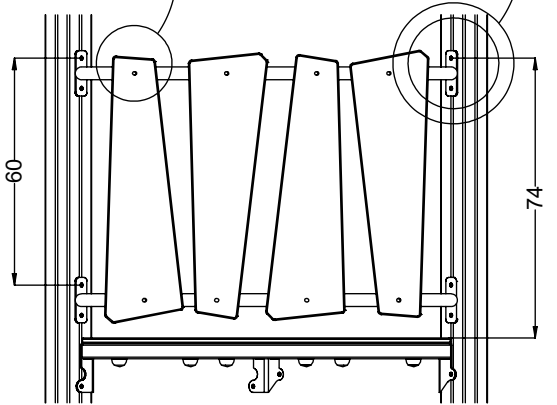
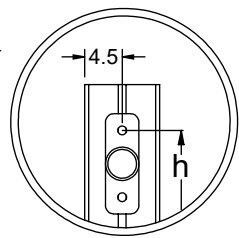
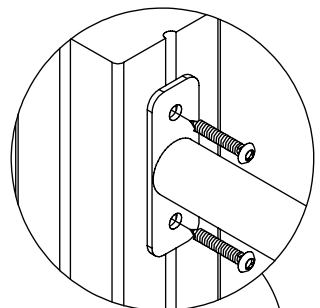
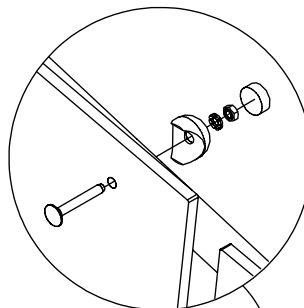
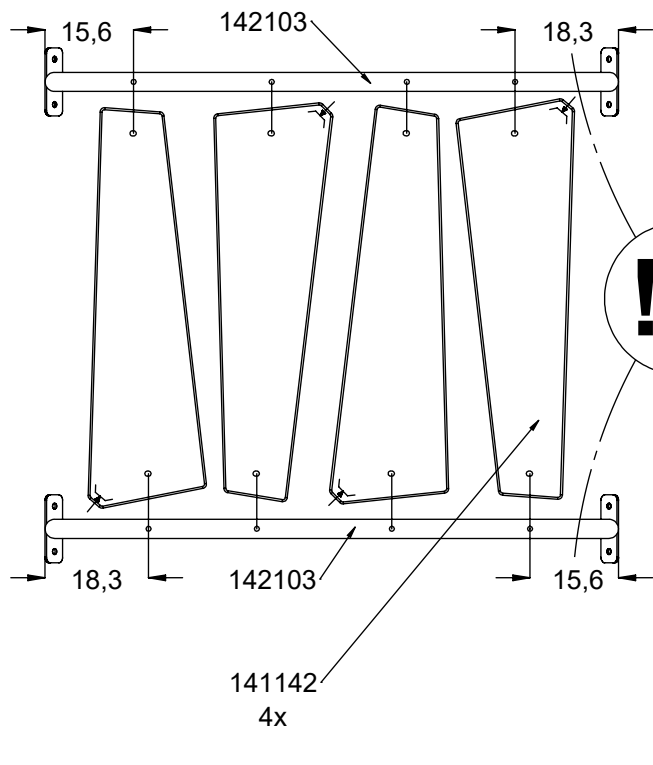


10x25iKl

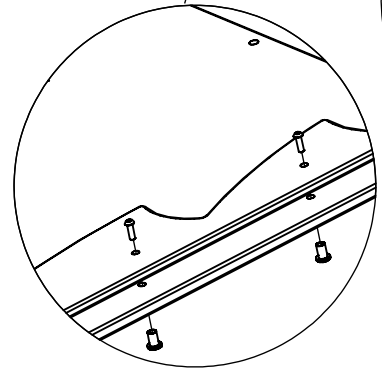
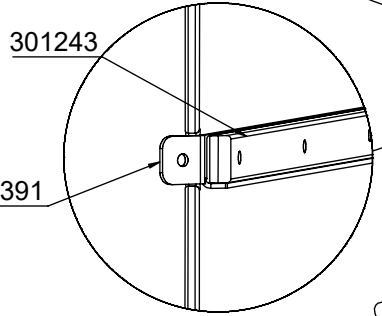
[cm]



vinci
play



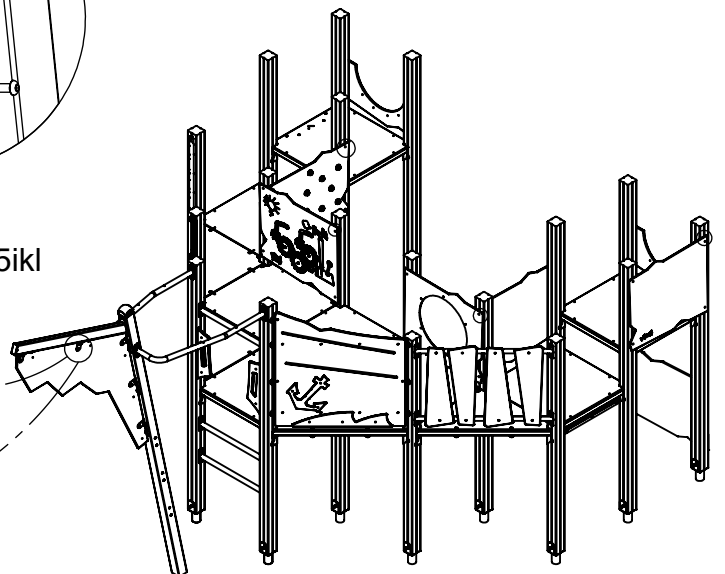
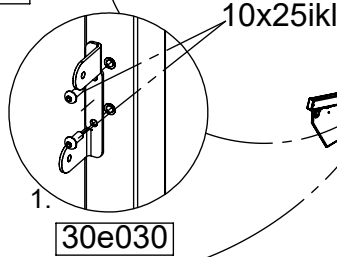
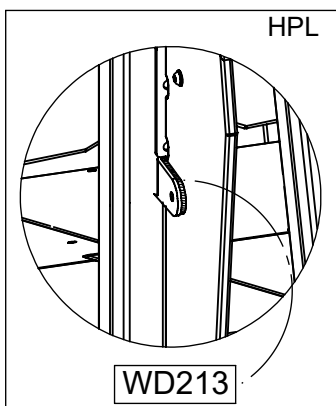
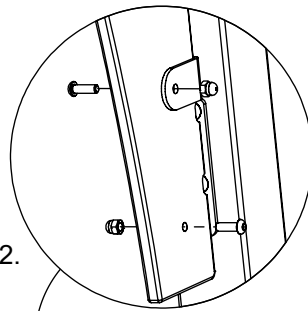
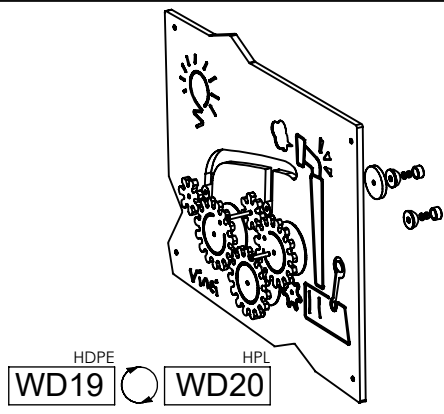
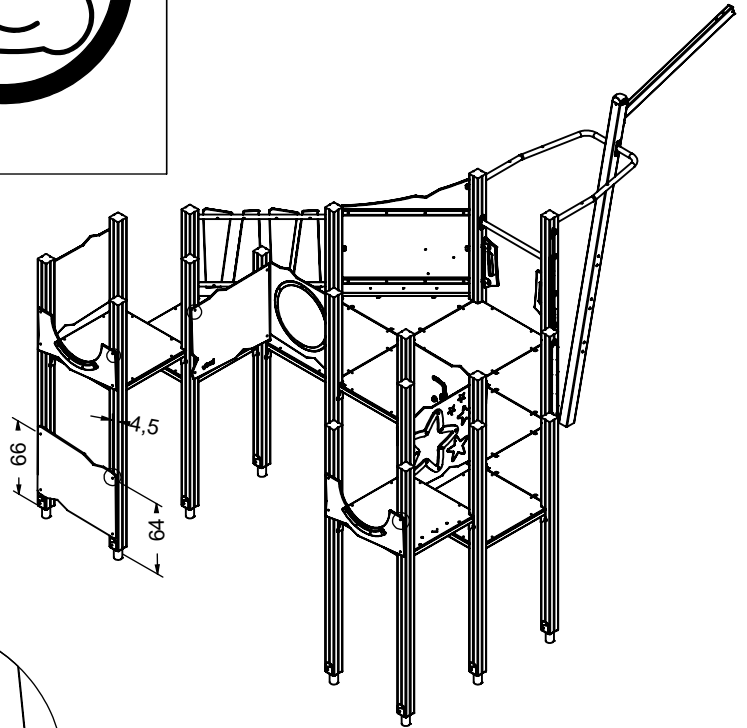
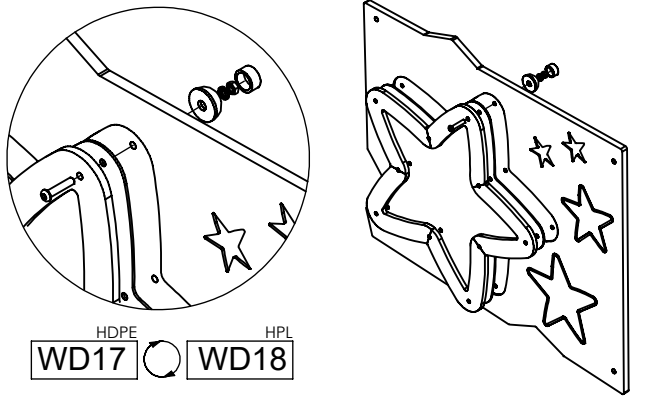
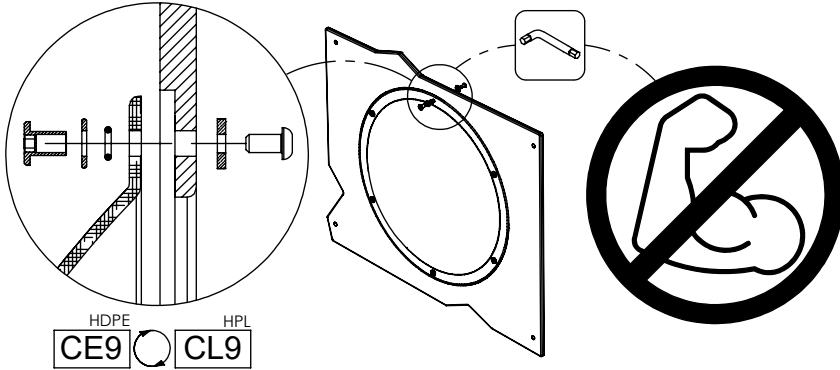
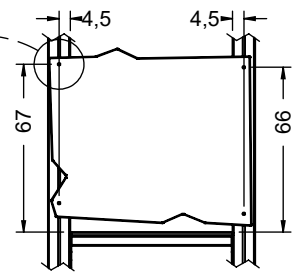
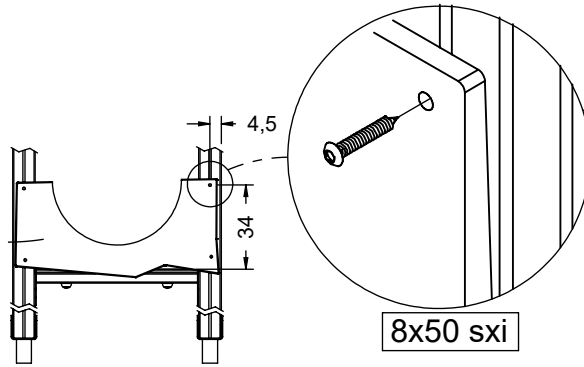
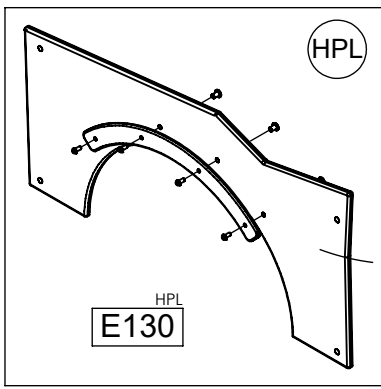
HDPE HPL
c080 c074



[cm]



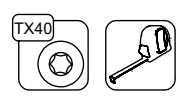
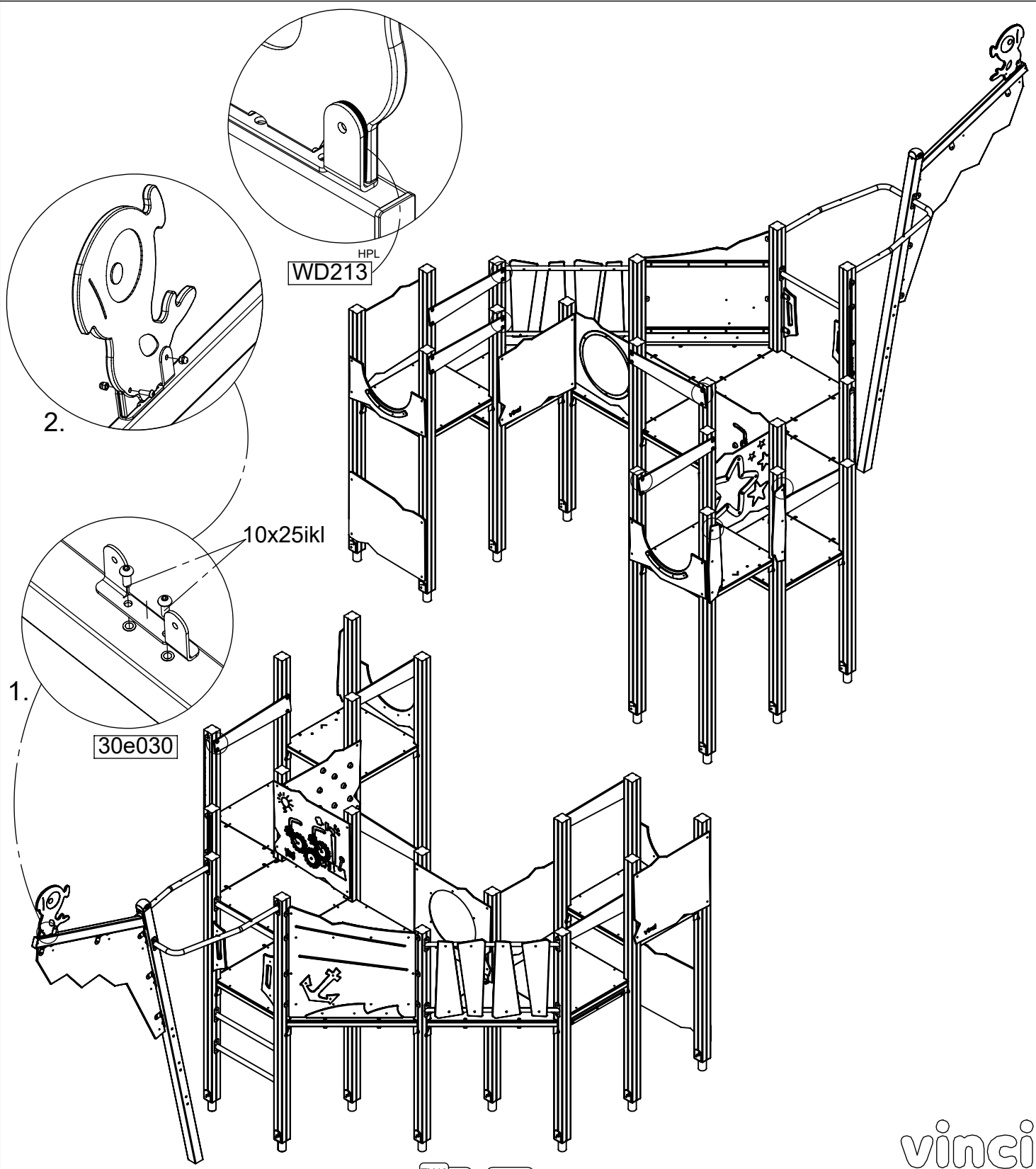
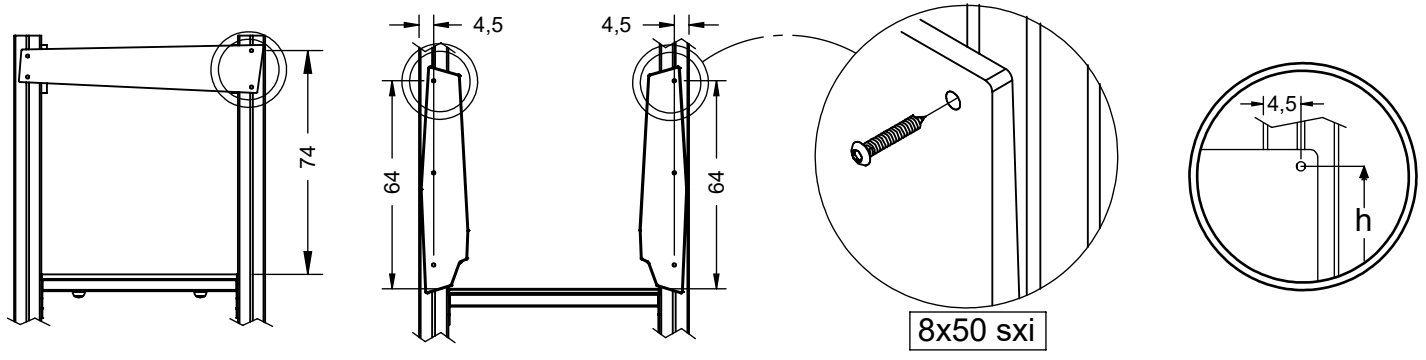
vinci
play



[cm]

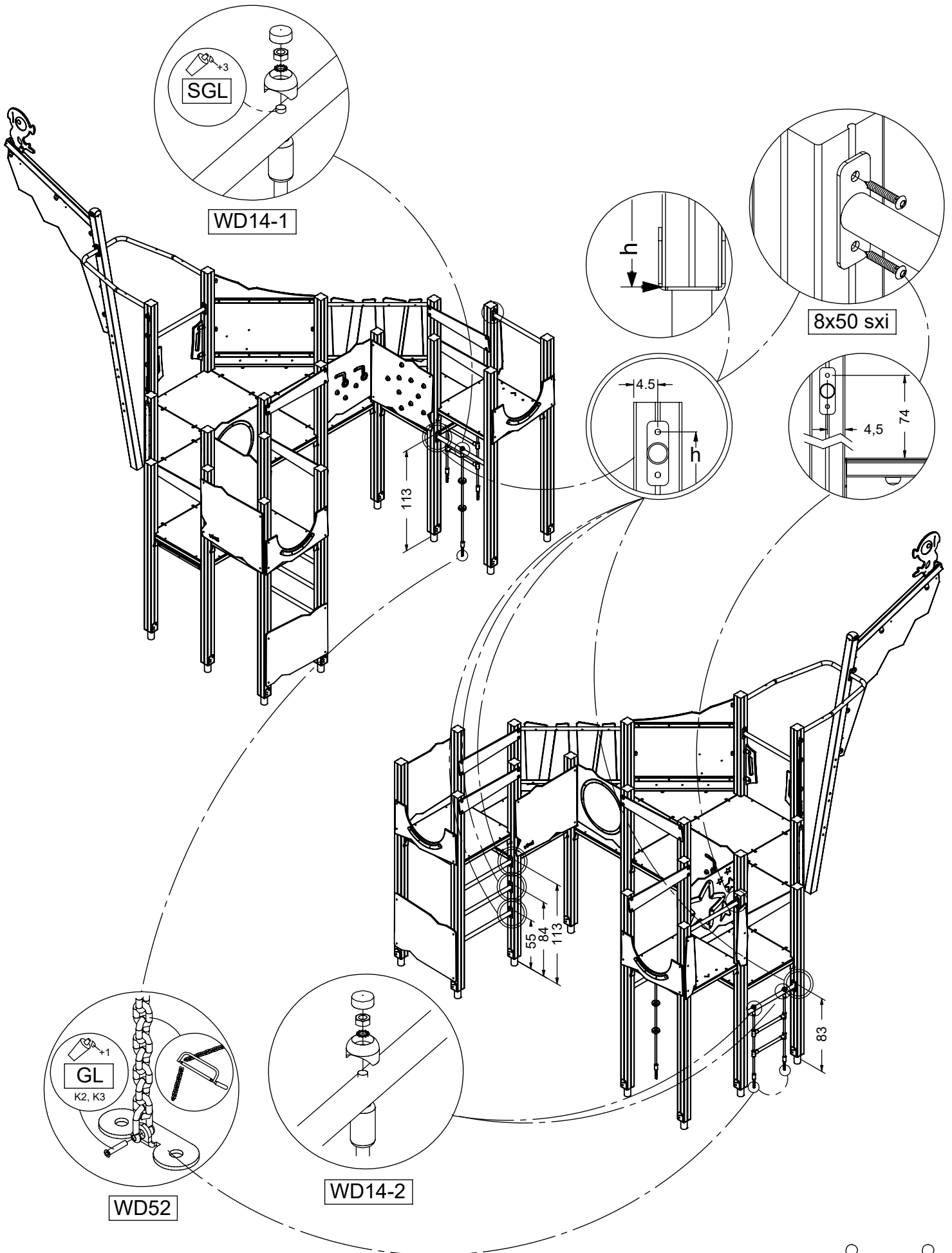


vinci
play



[cm]

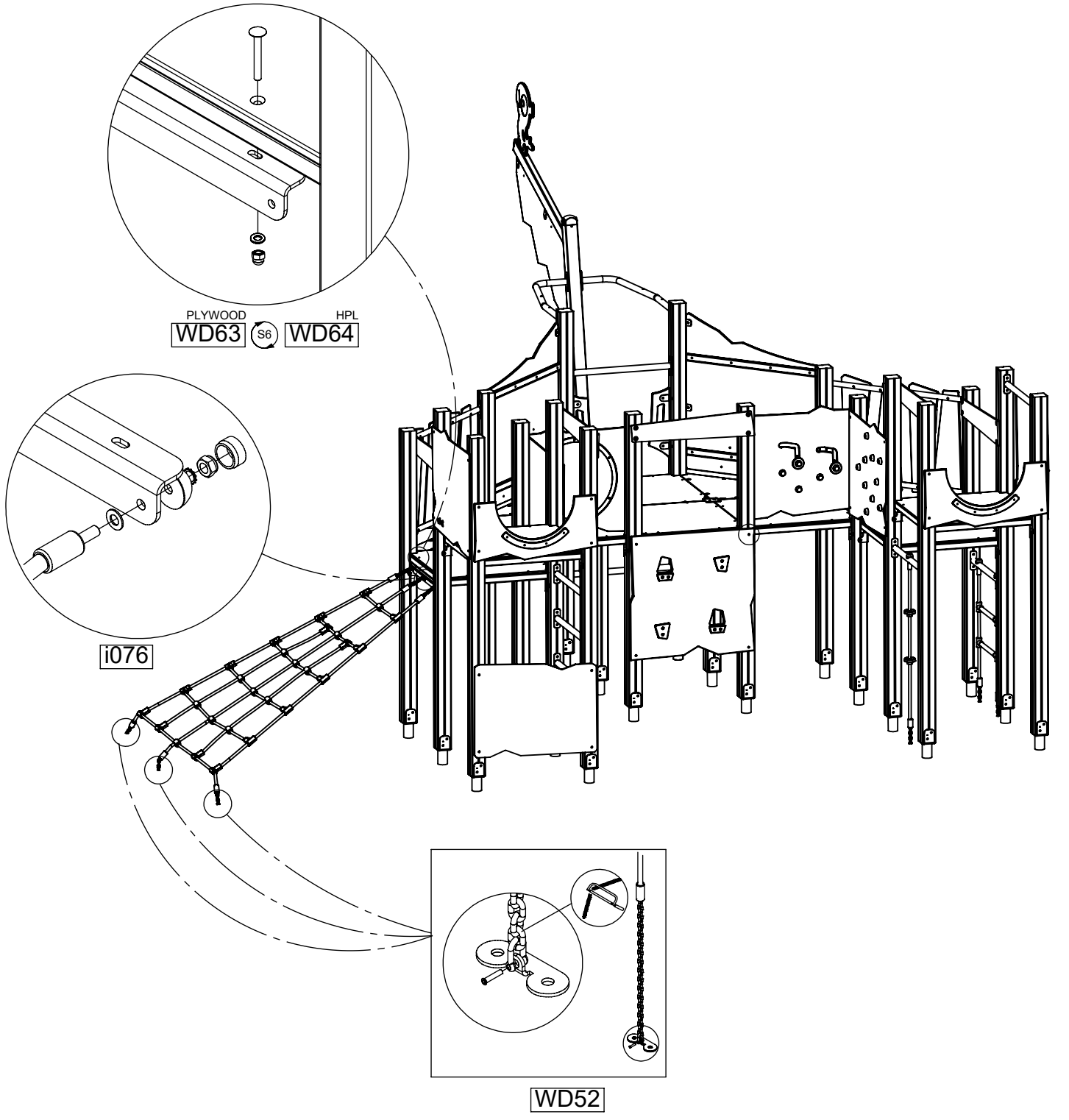
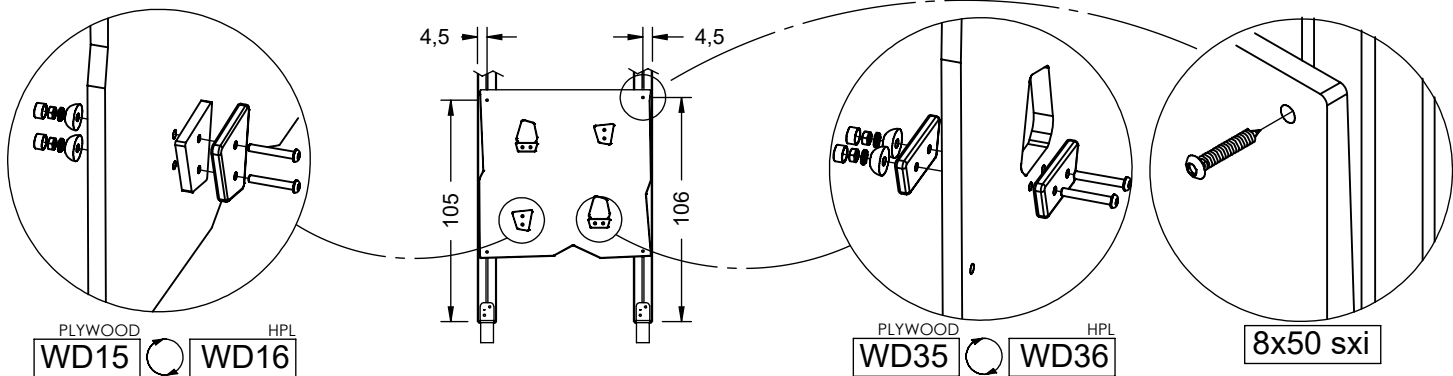
vinci
play



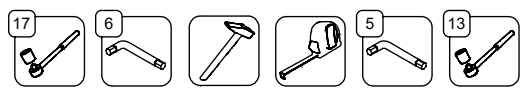
[cm]



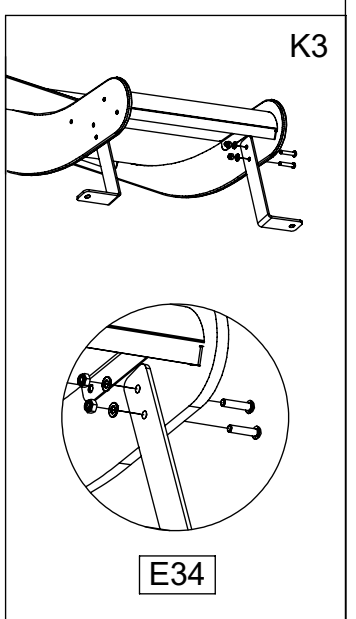
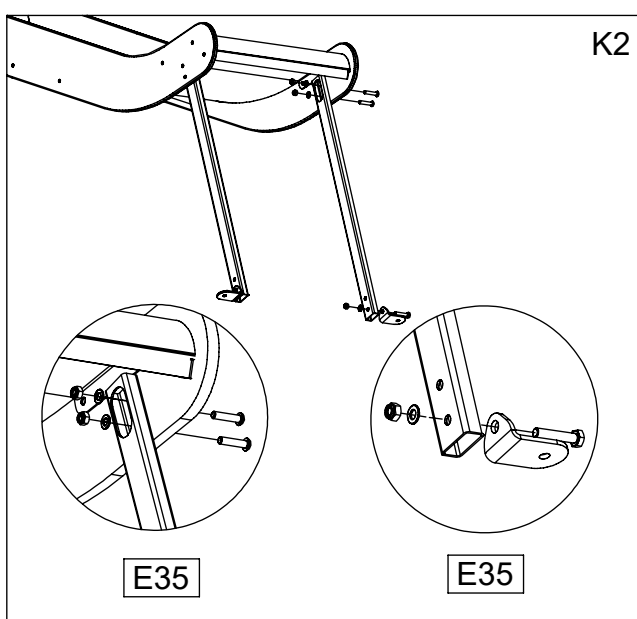
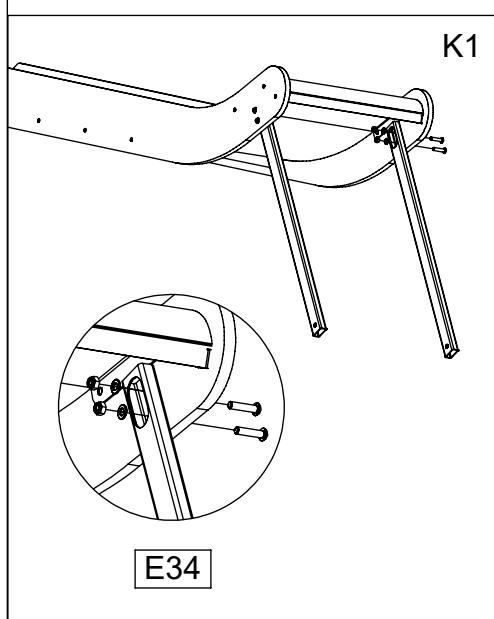
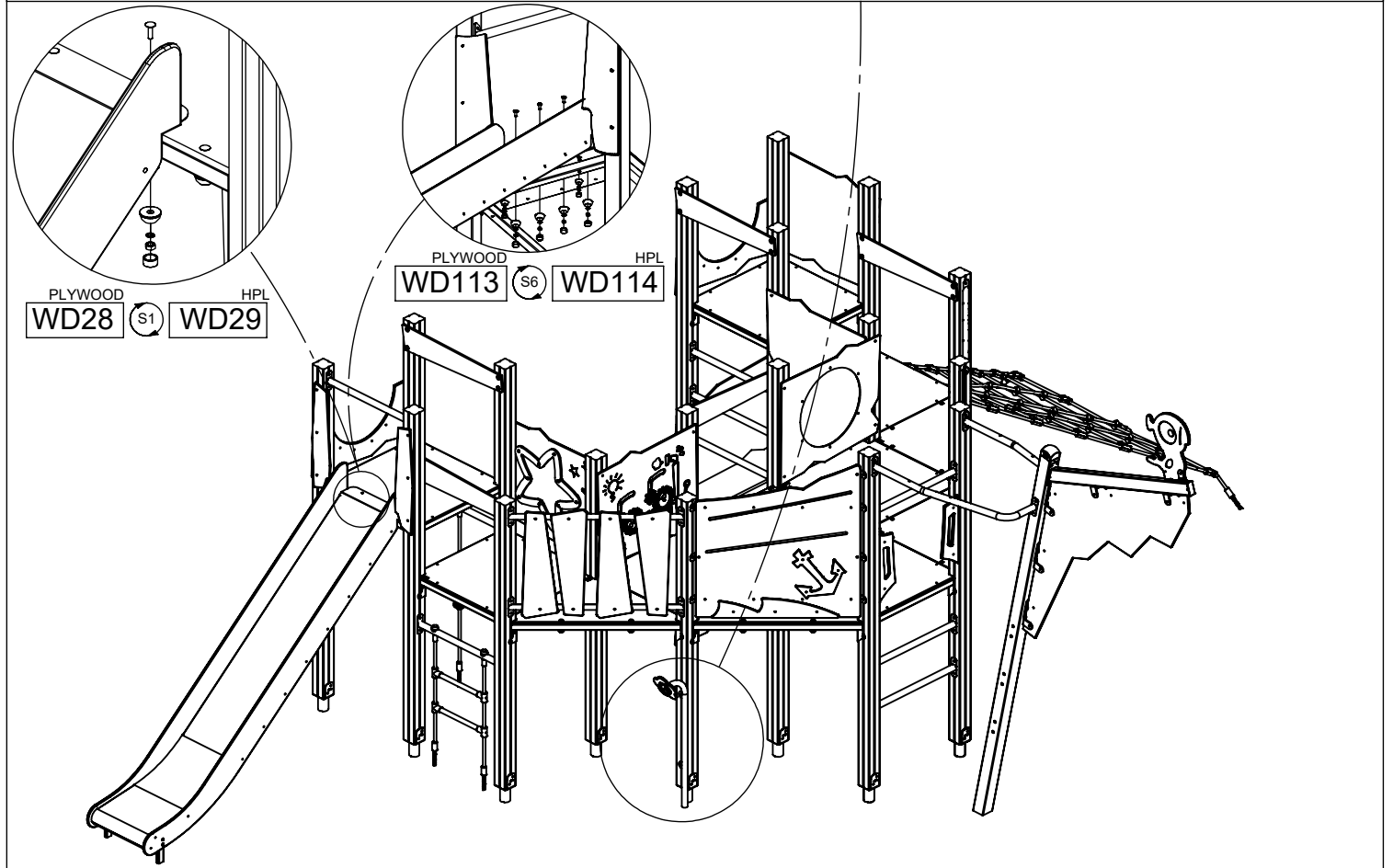
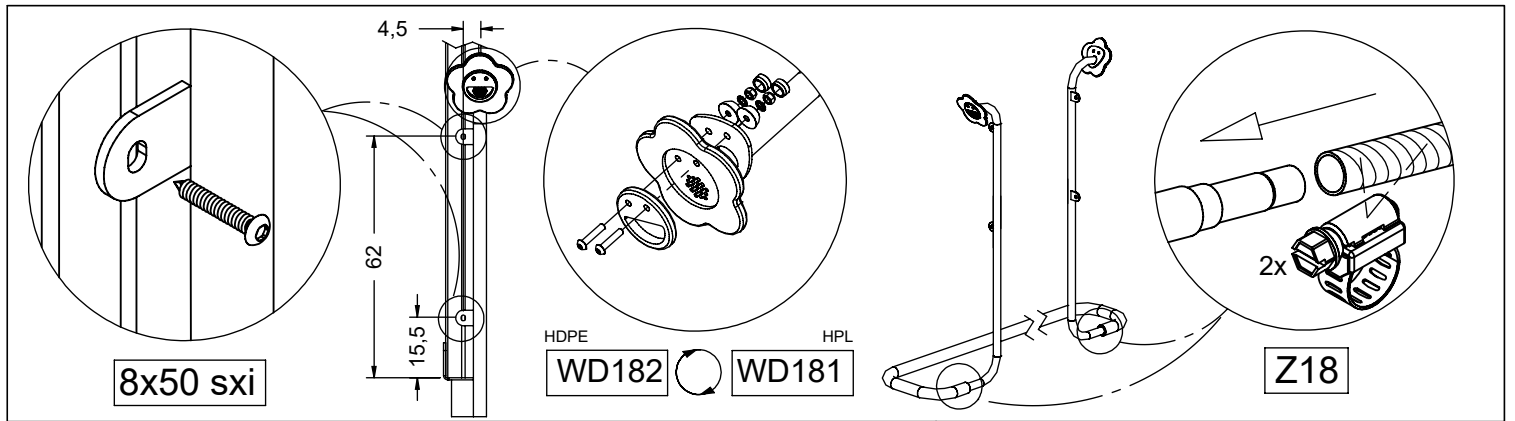
vinci
play

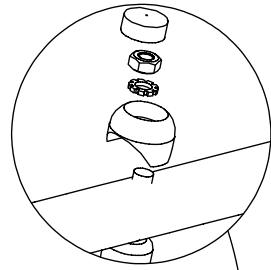
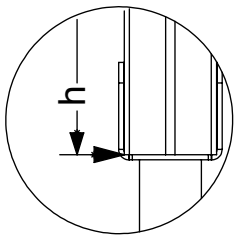
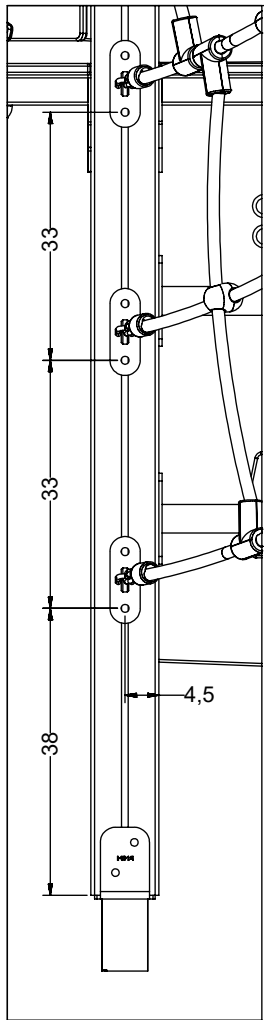


[cm]

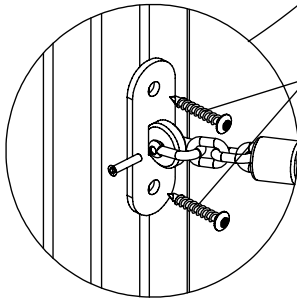
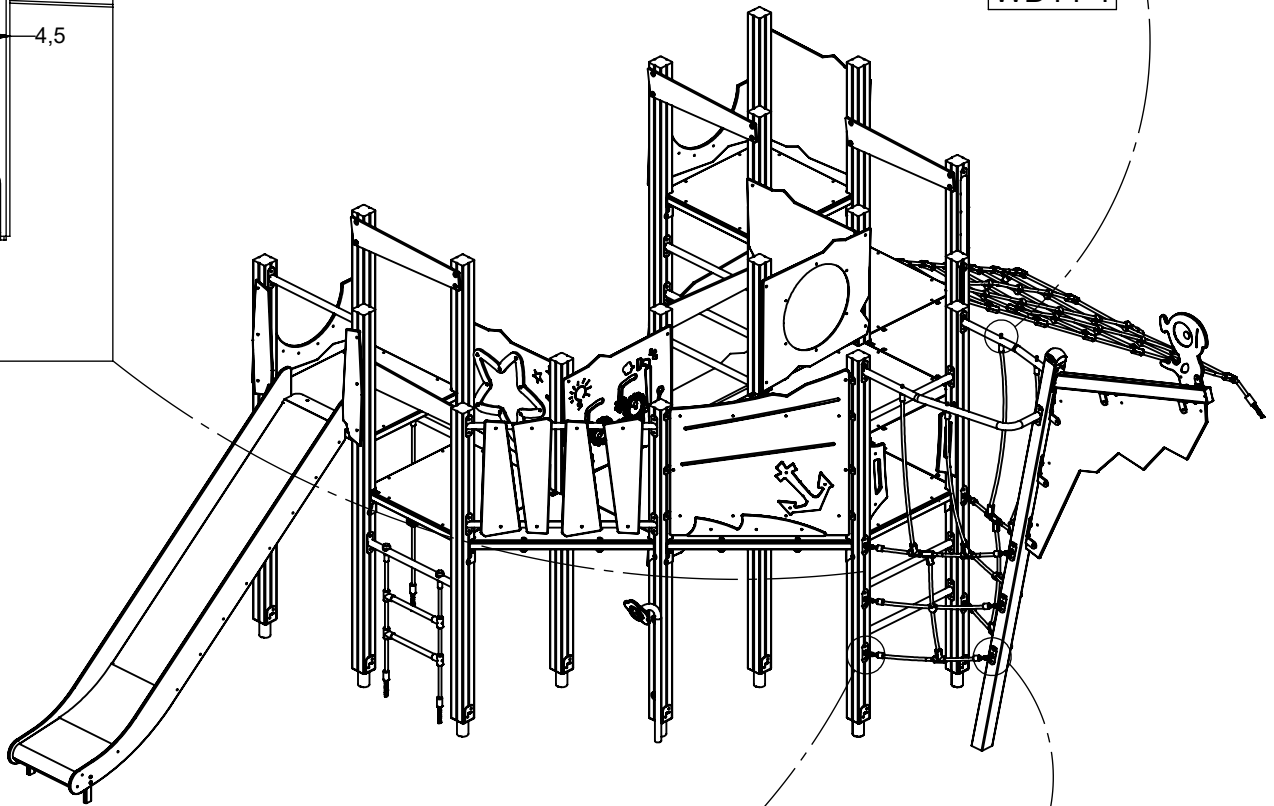


vinci
play



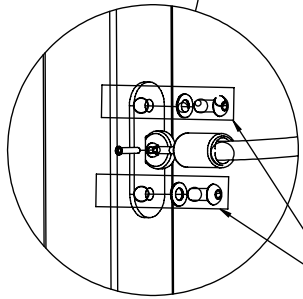


WD14-4



WD50

8x50 sxi



WD50

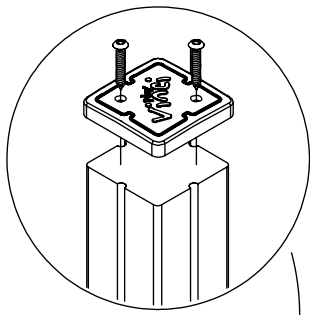
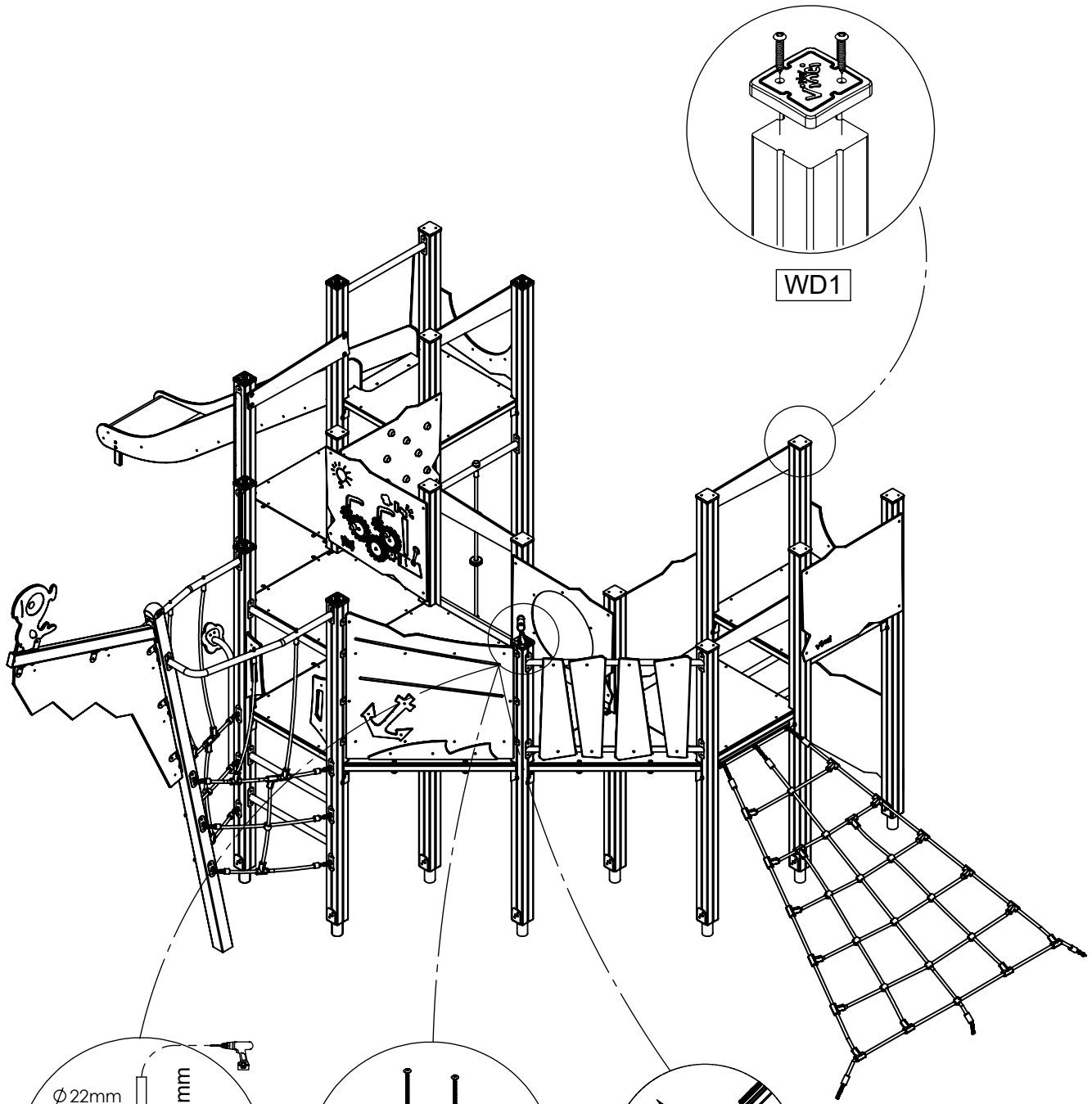
10x25ikl

10pp

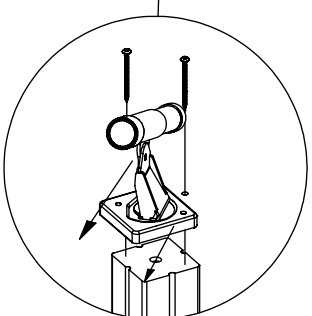
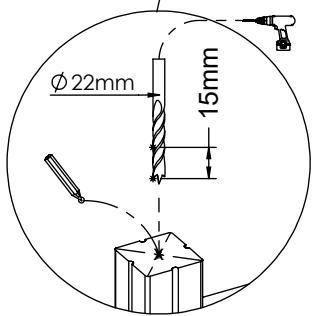
[cm]



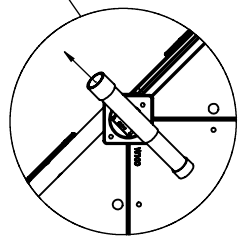
vinci
play



WD1



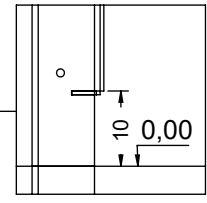
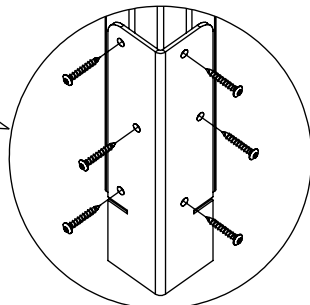
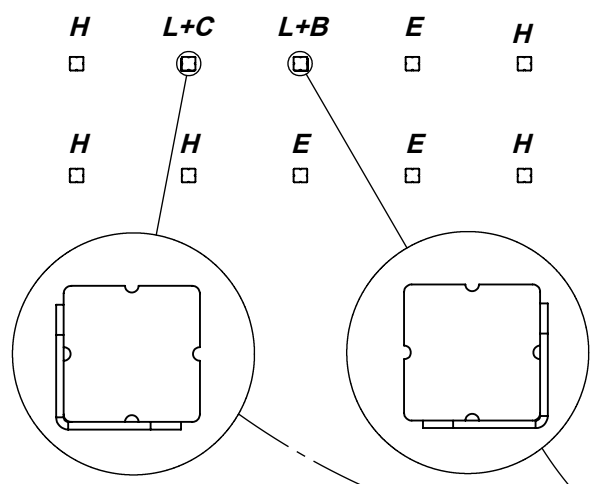
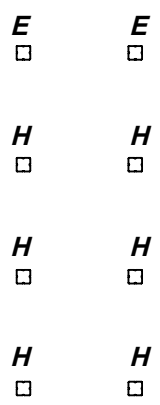
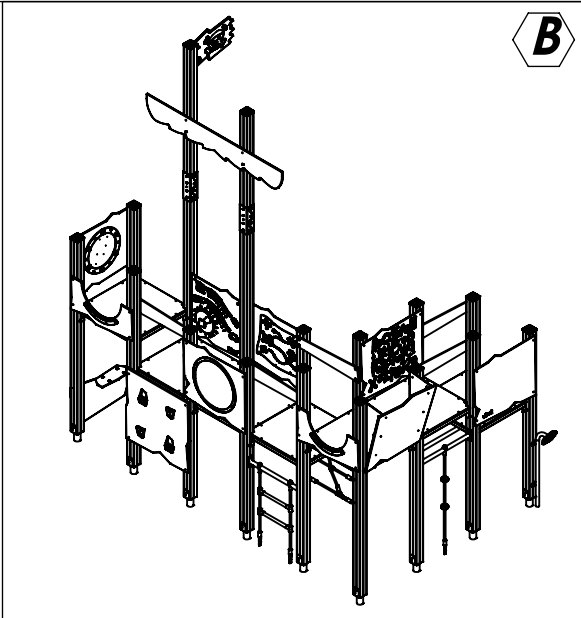
2x 6x80 sxt



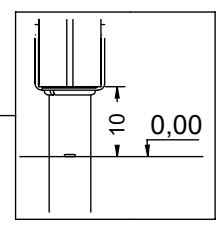
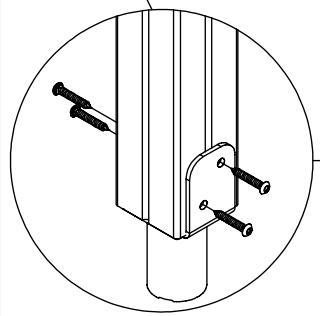
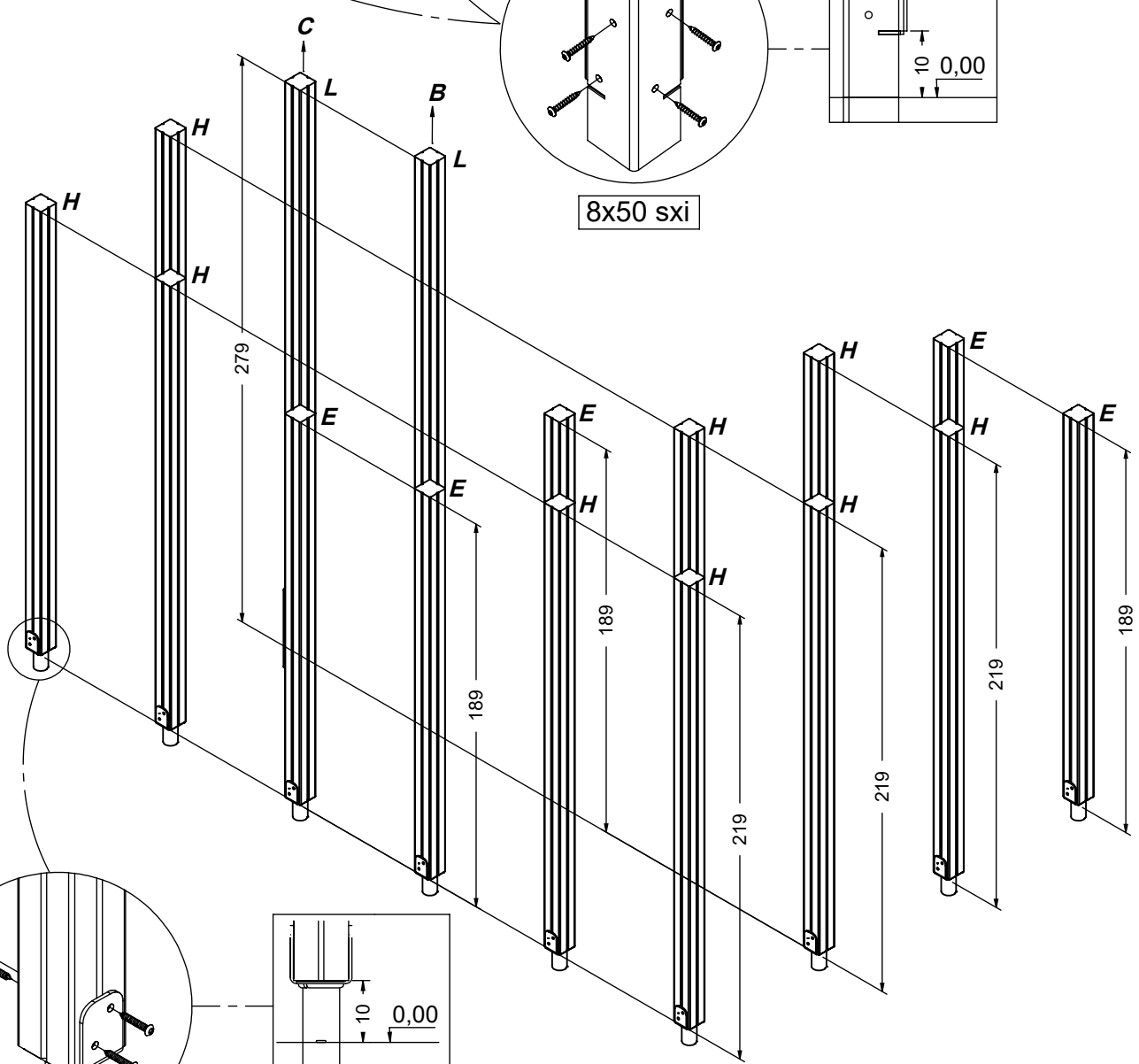
[cm]



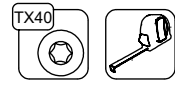
vinci
play



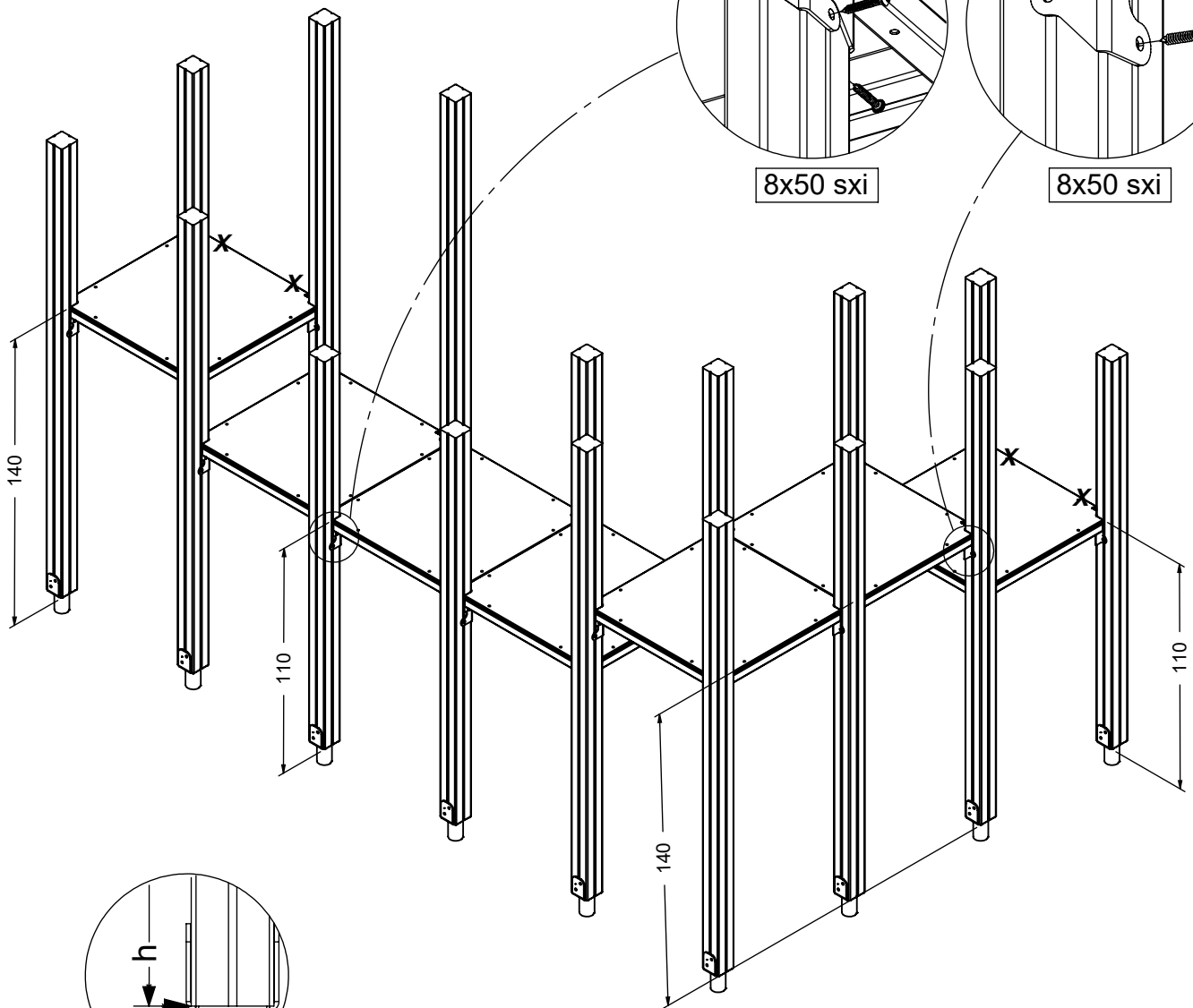
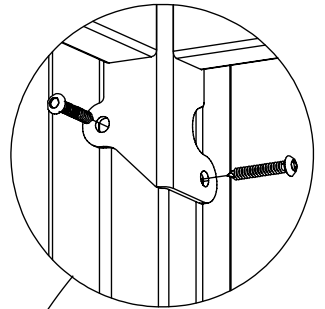
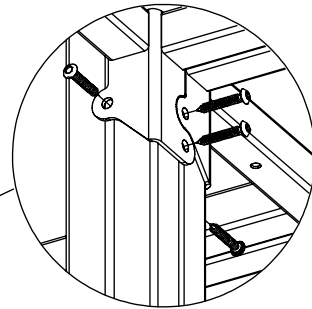
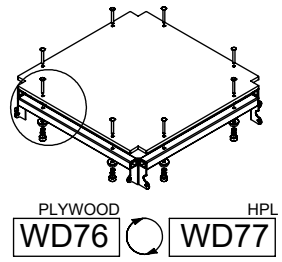
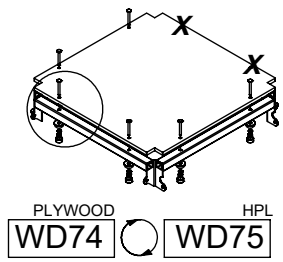
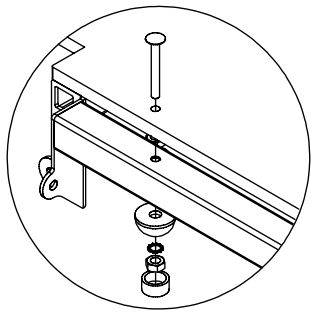
8x50 sxi



8x50 sxi



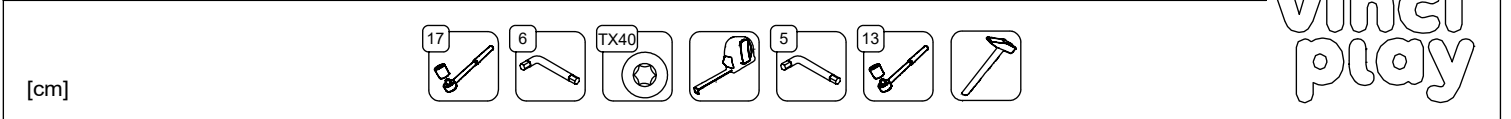
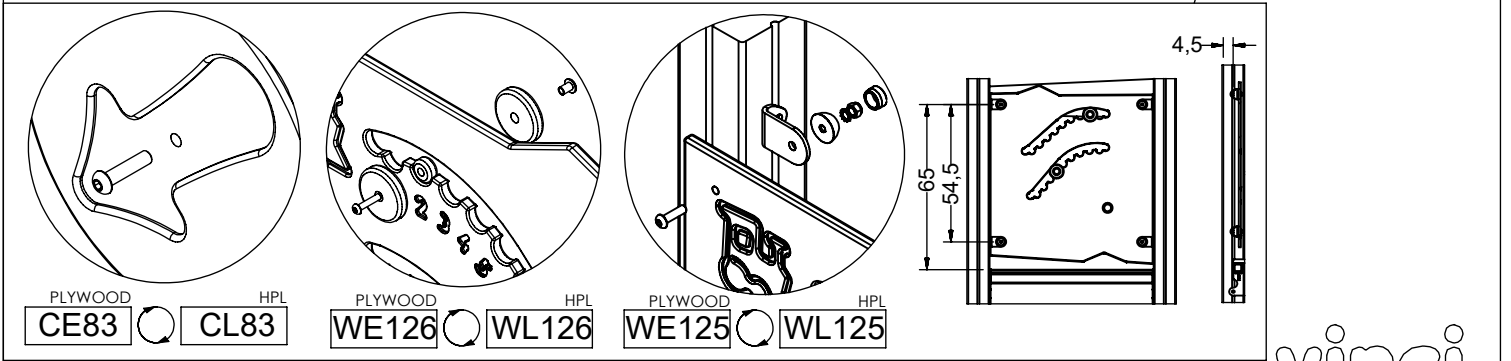
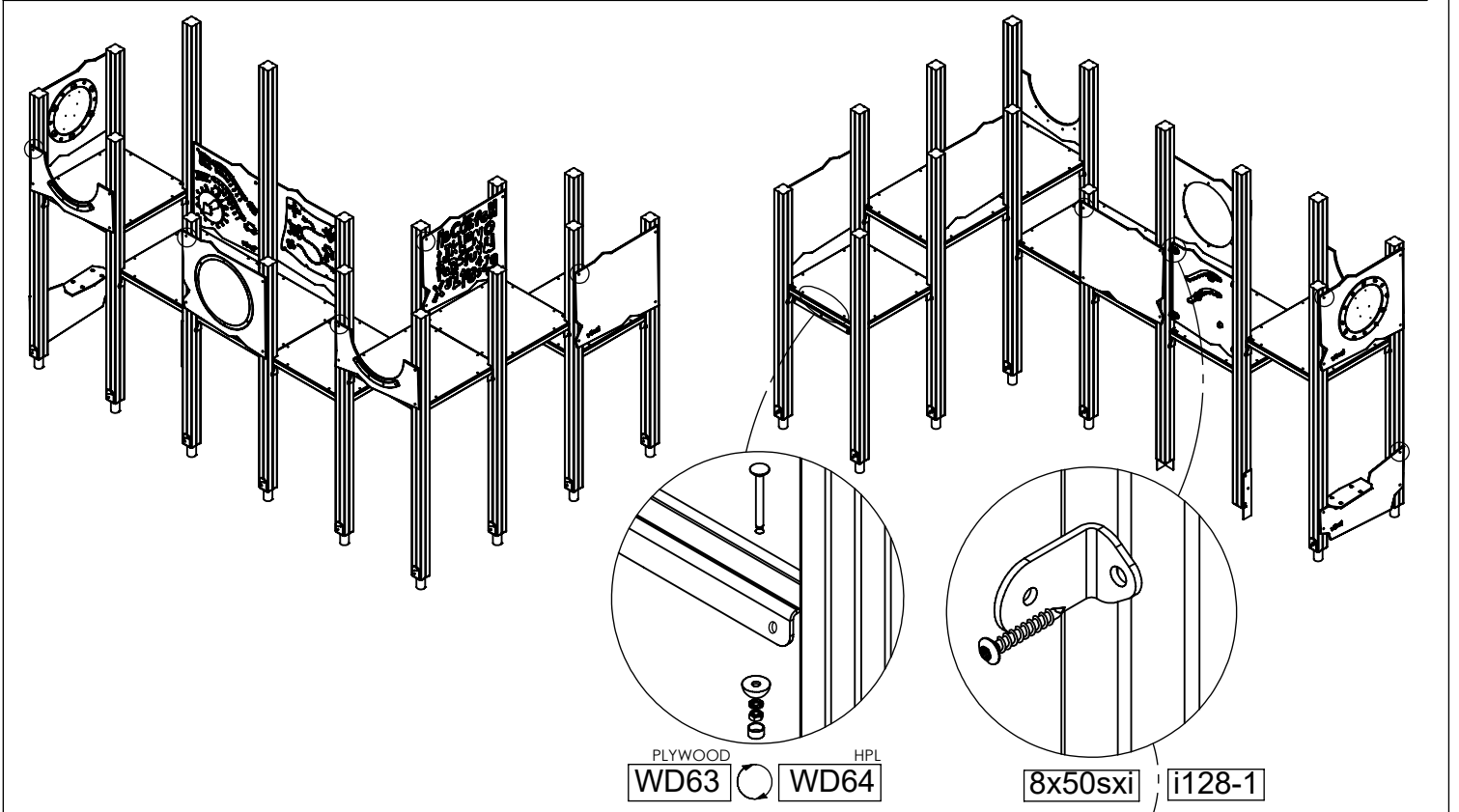
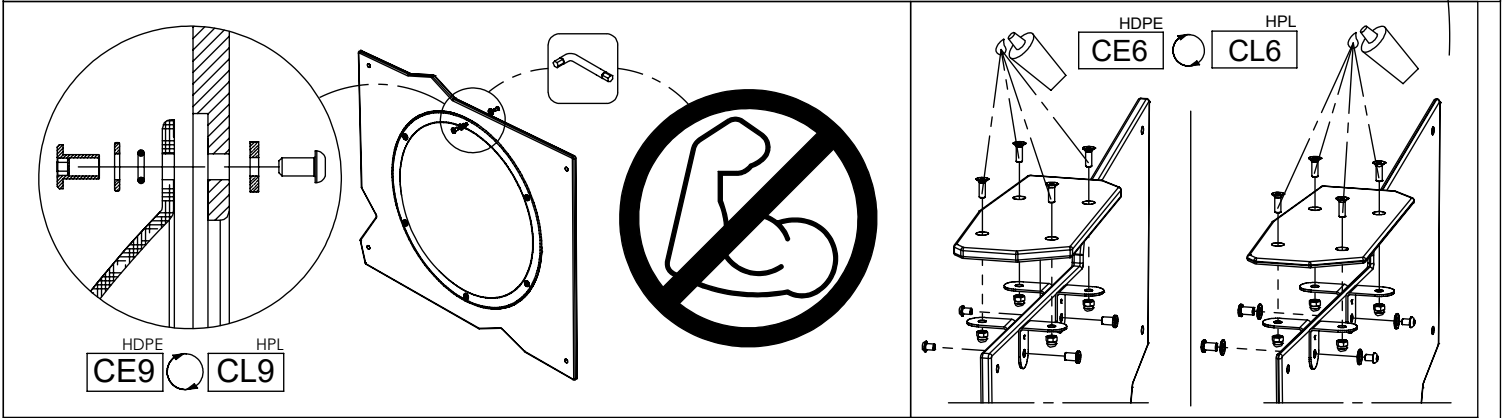
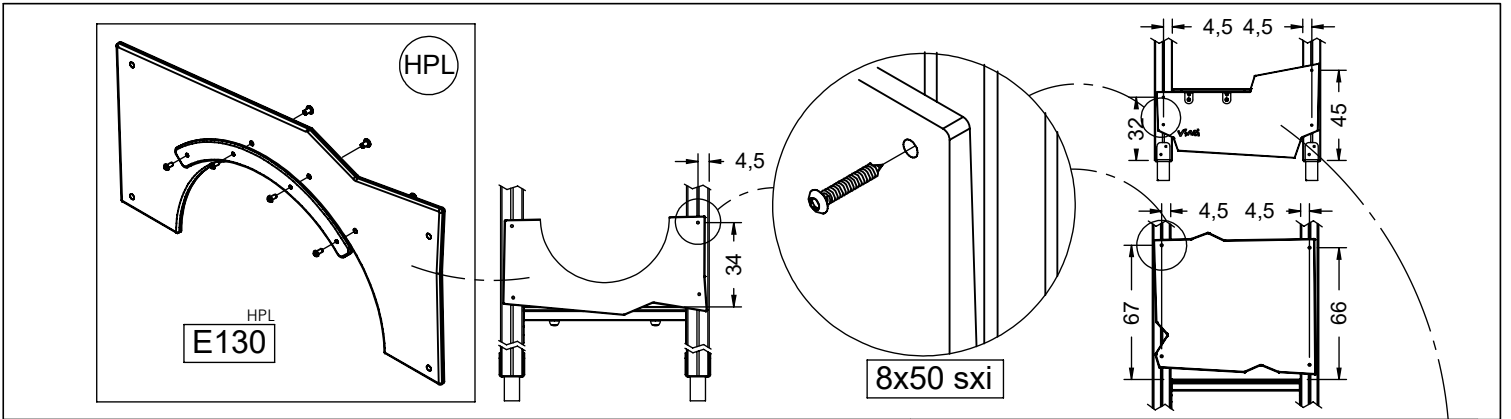
[cm]

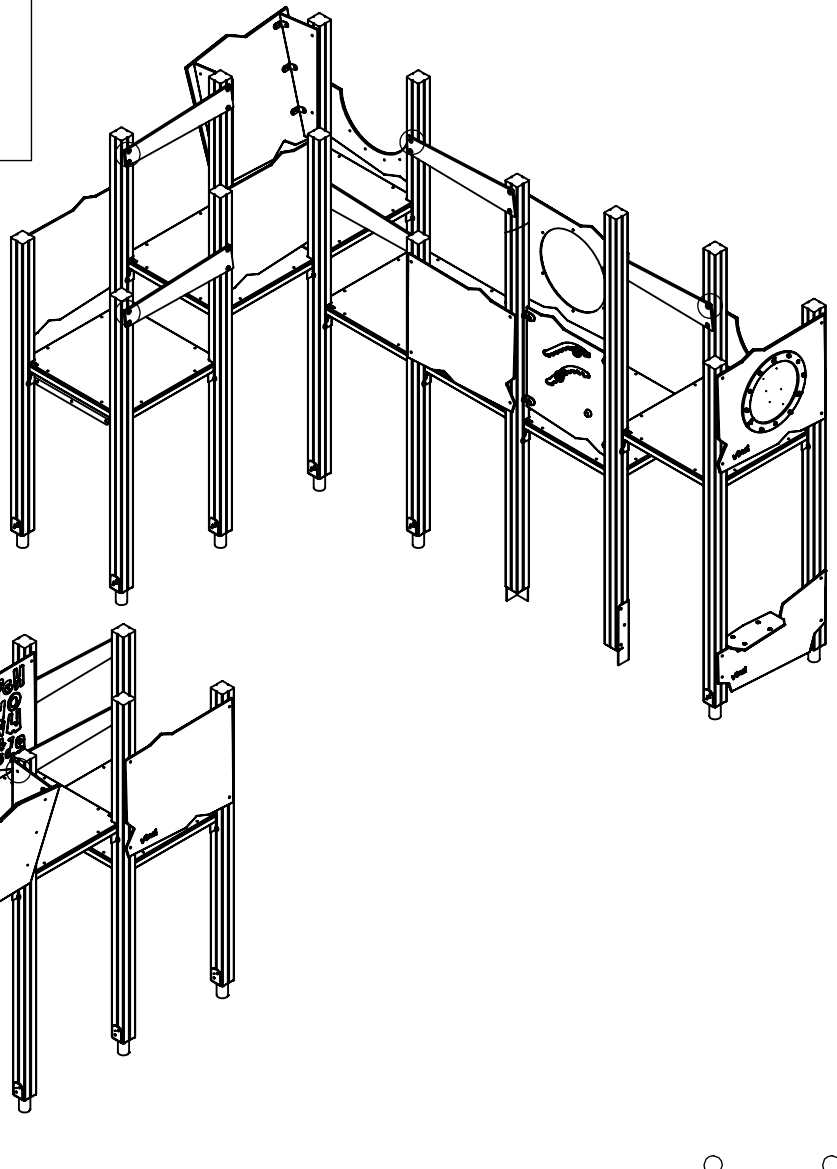
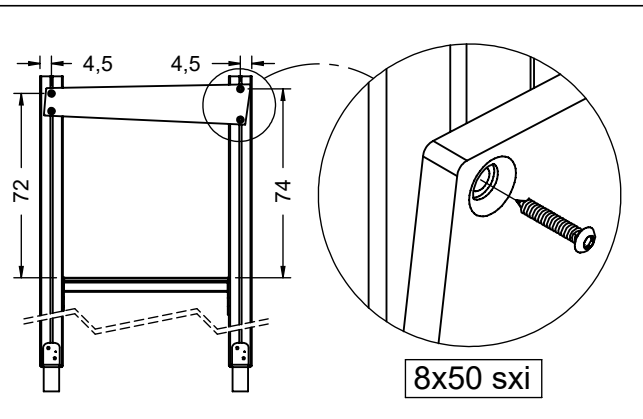
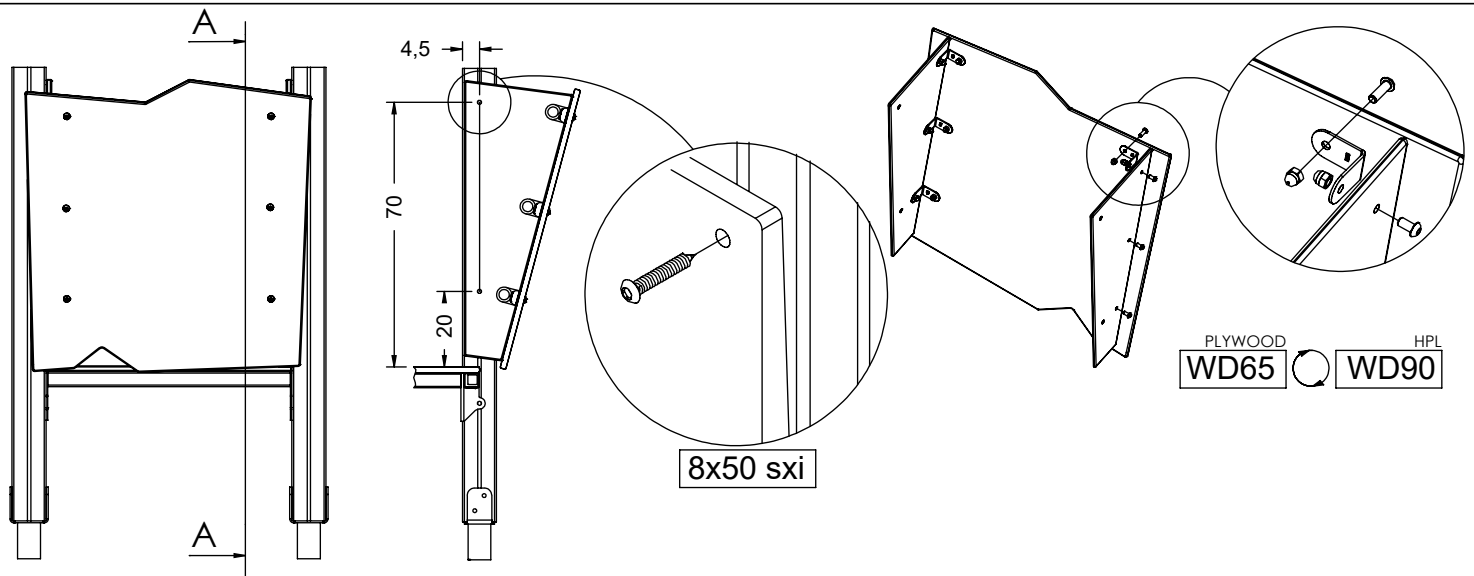


[cm]



vinci
play

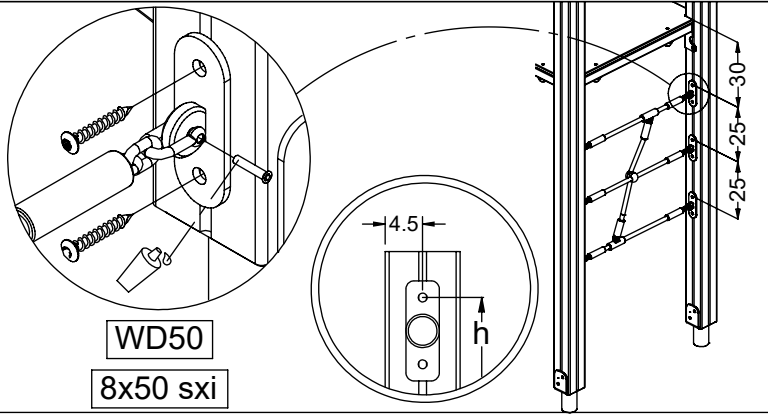




[cm]

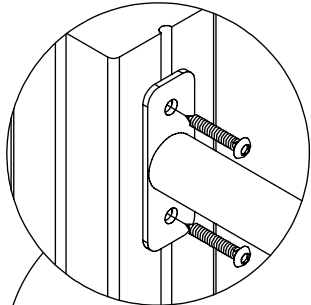


vinci
play

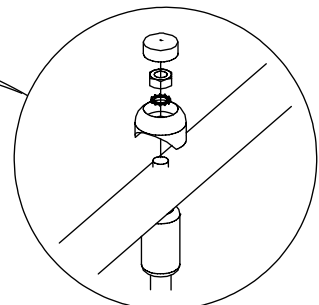
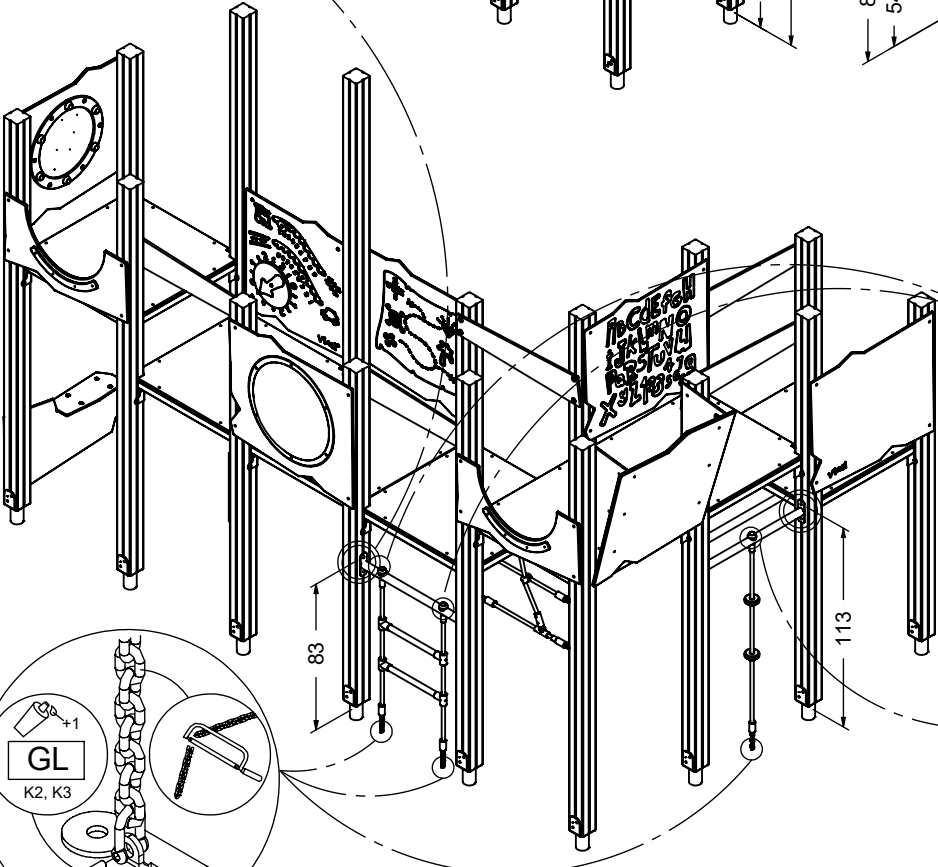
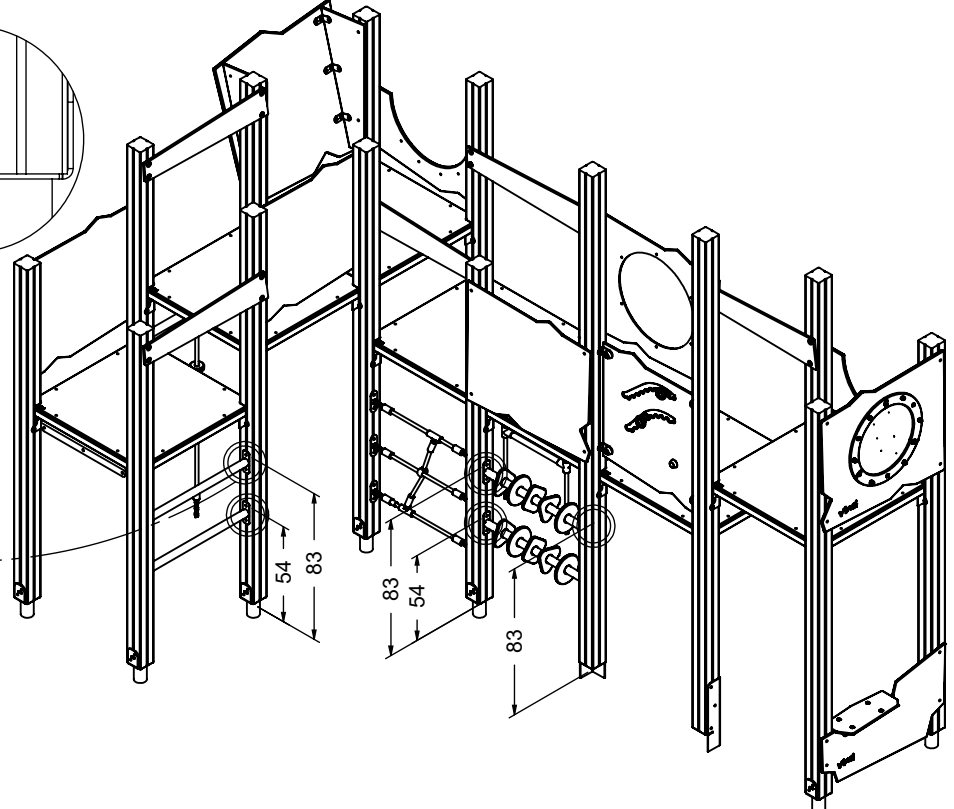
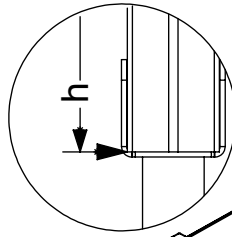
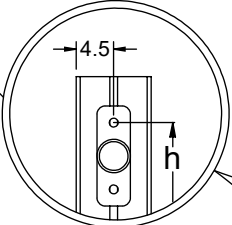


WD50

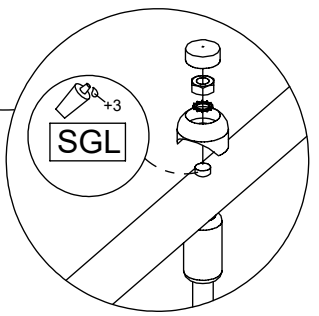
8x50 sxi



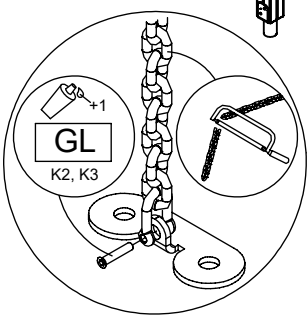
8x50 sxi



WD14-2

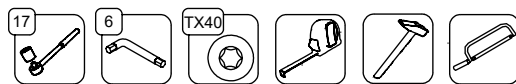


WD14-1

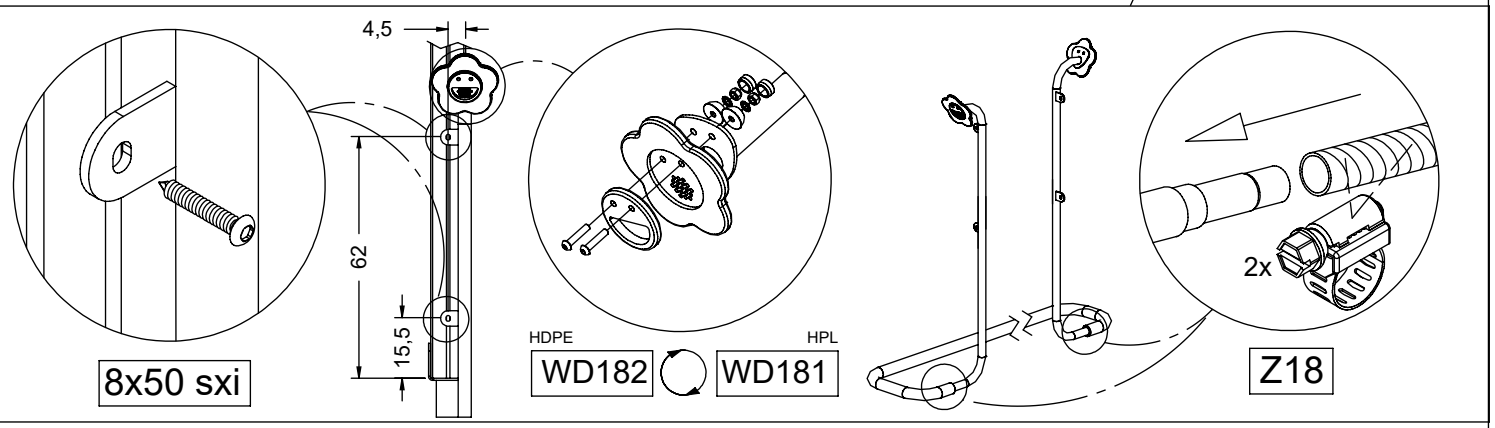
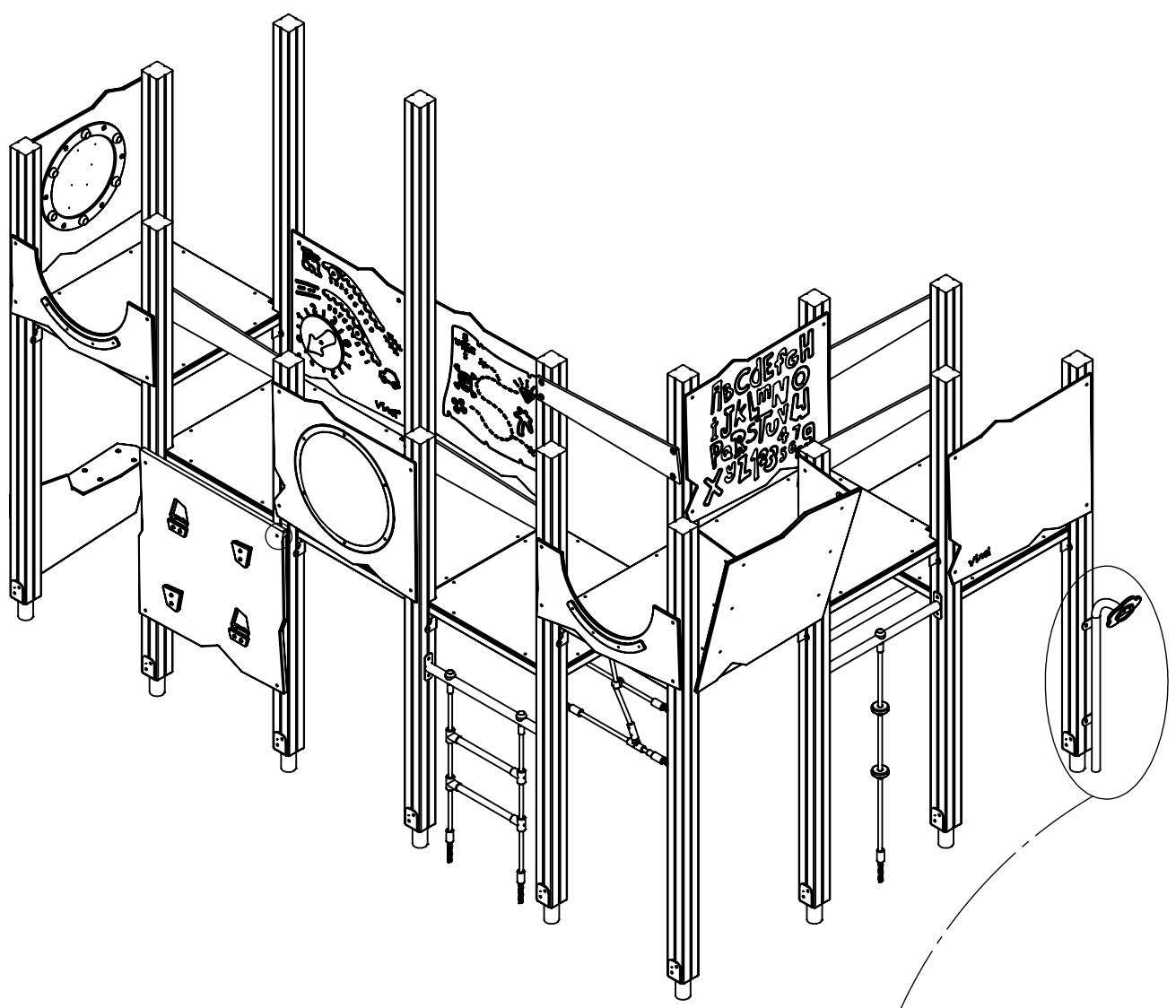
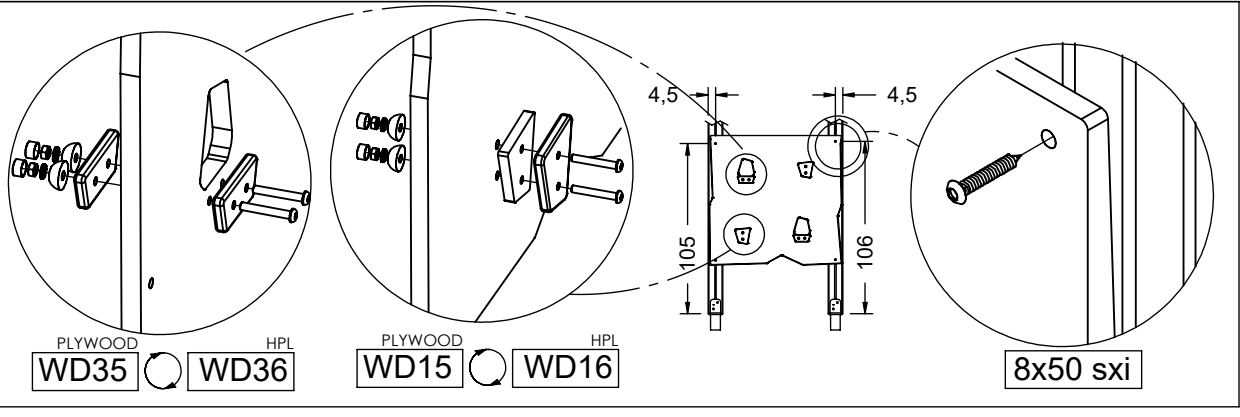


WD52

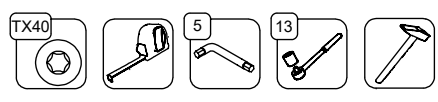
[cm]



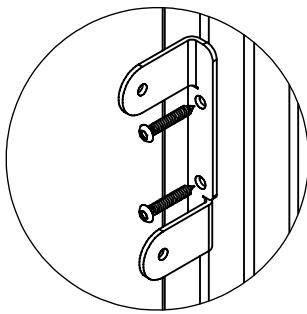
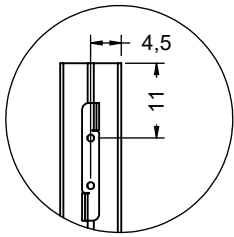
vinci play



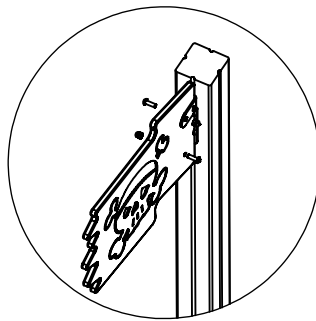
[cm]



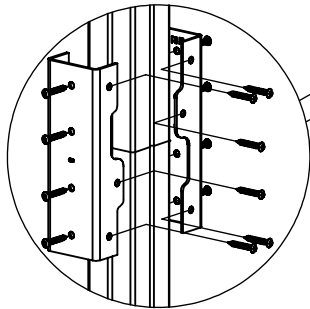
vinci
play



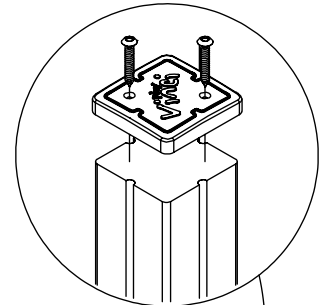
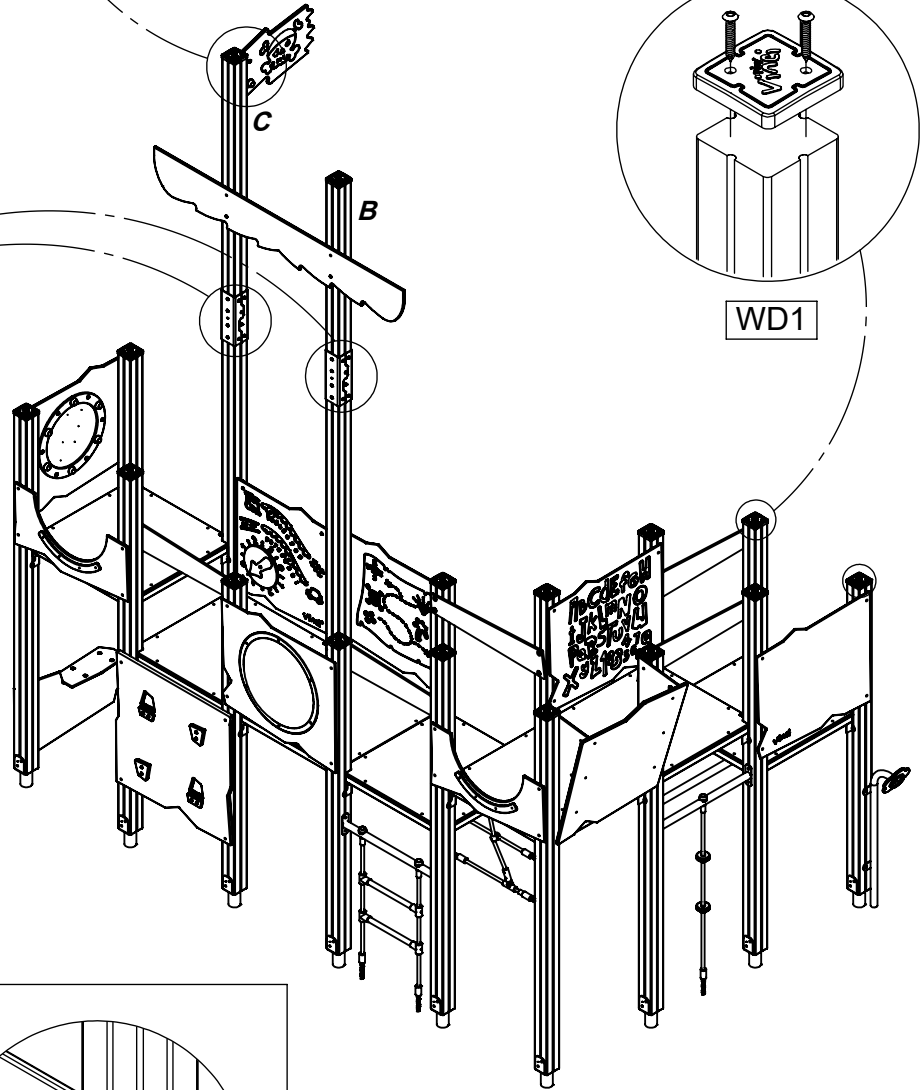
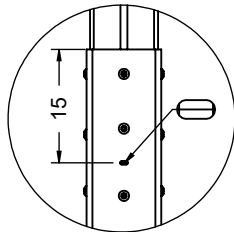
8x50 sxi



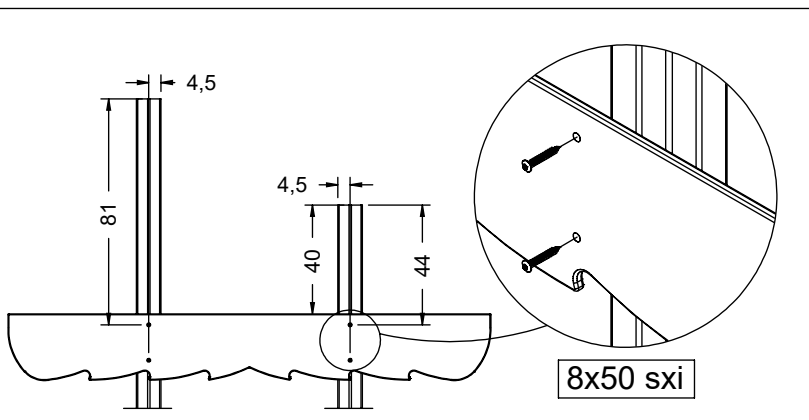
i030^{HPL}
WD213



8x50 sxi



WD1

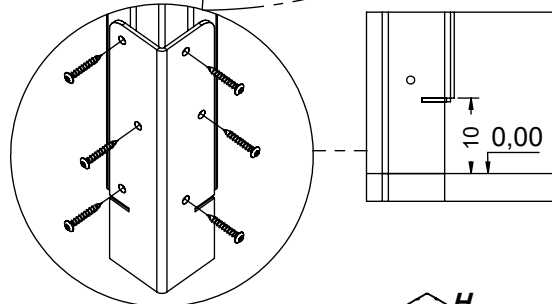
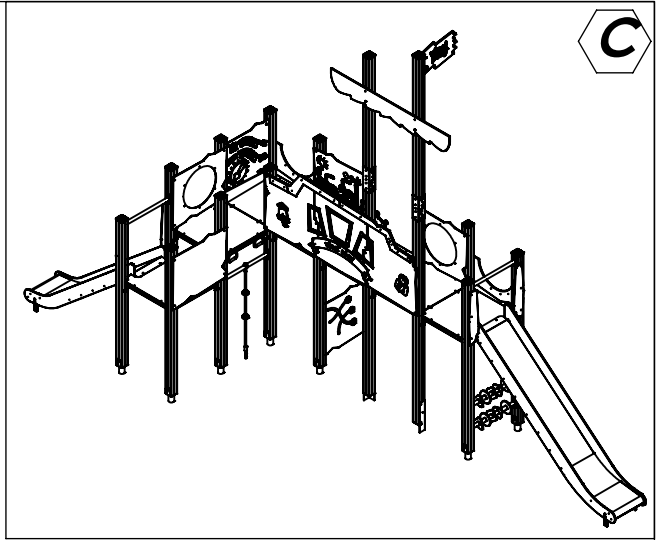
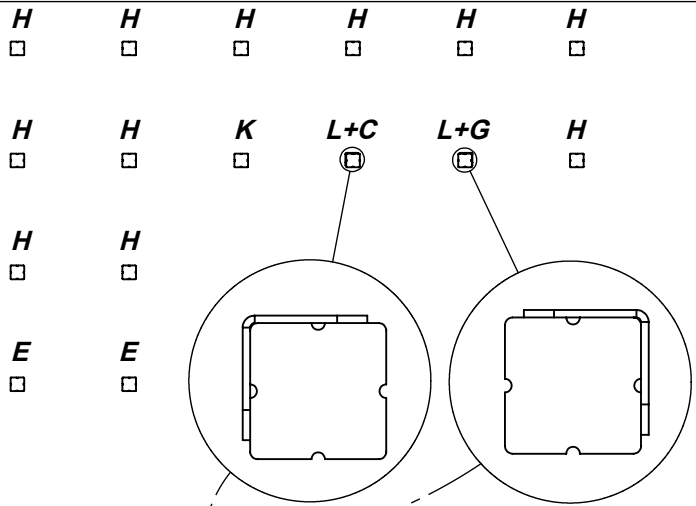


8x50 sxi

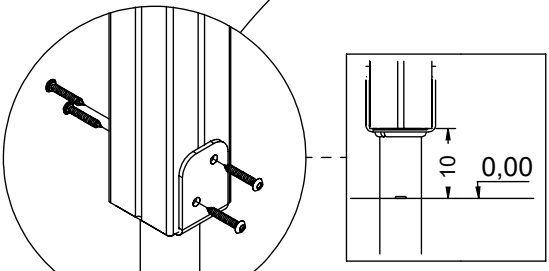
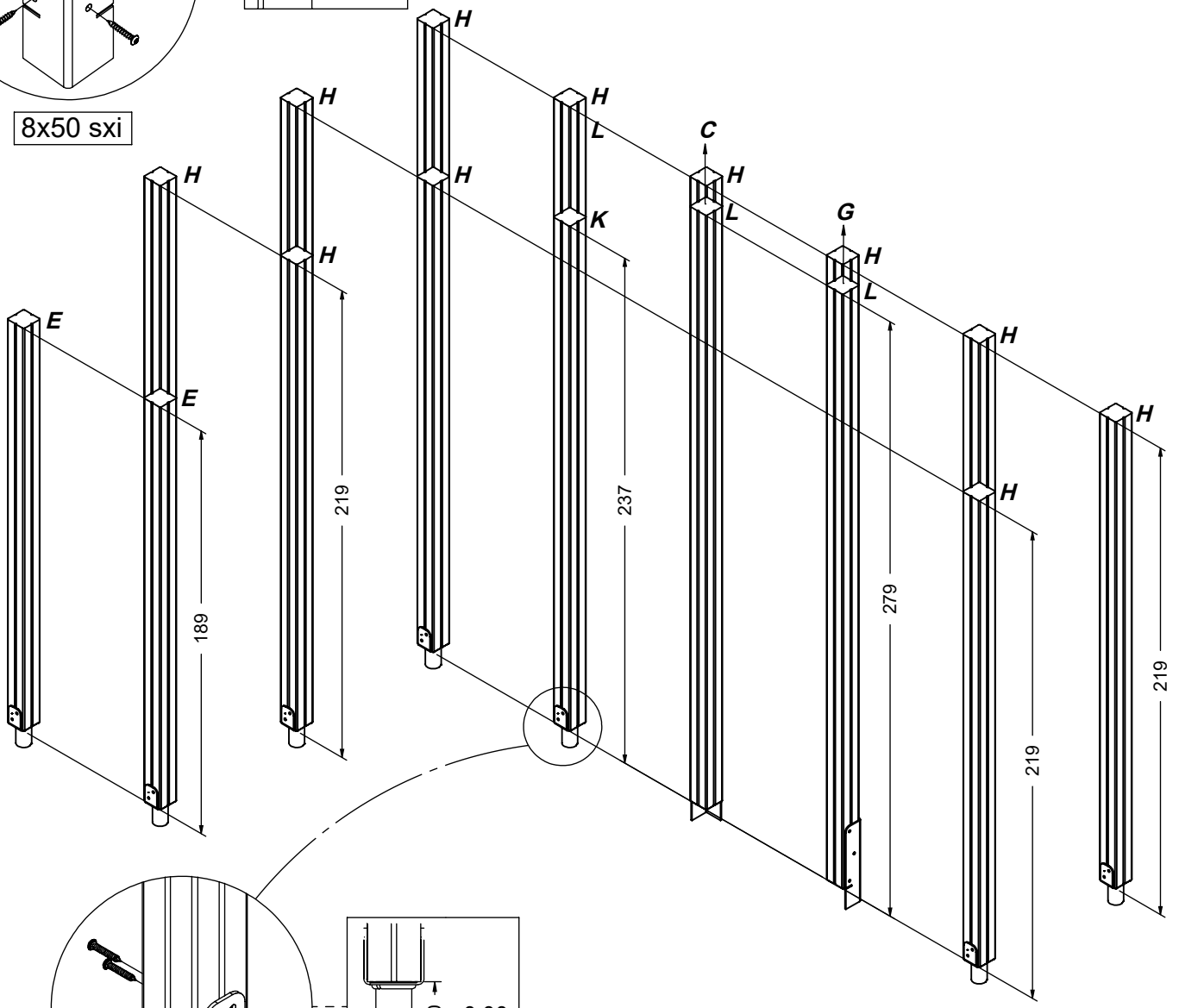
[cm]



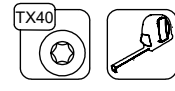
vinci
play



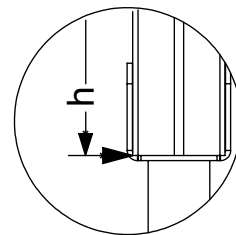
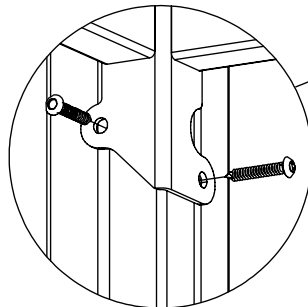
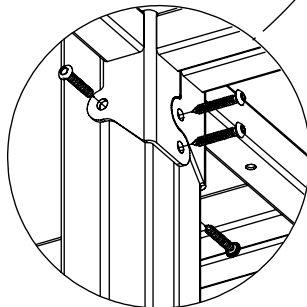
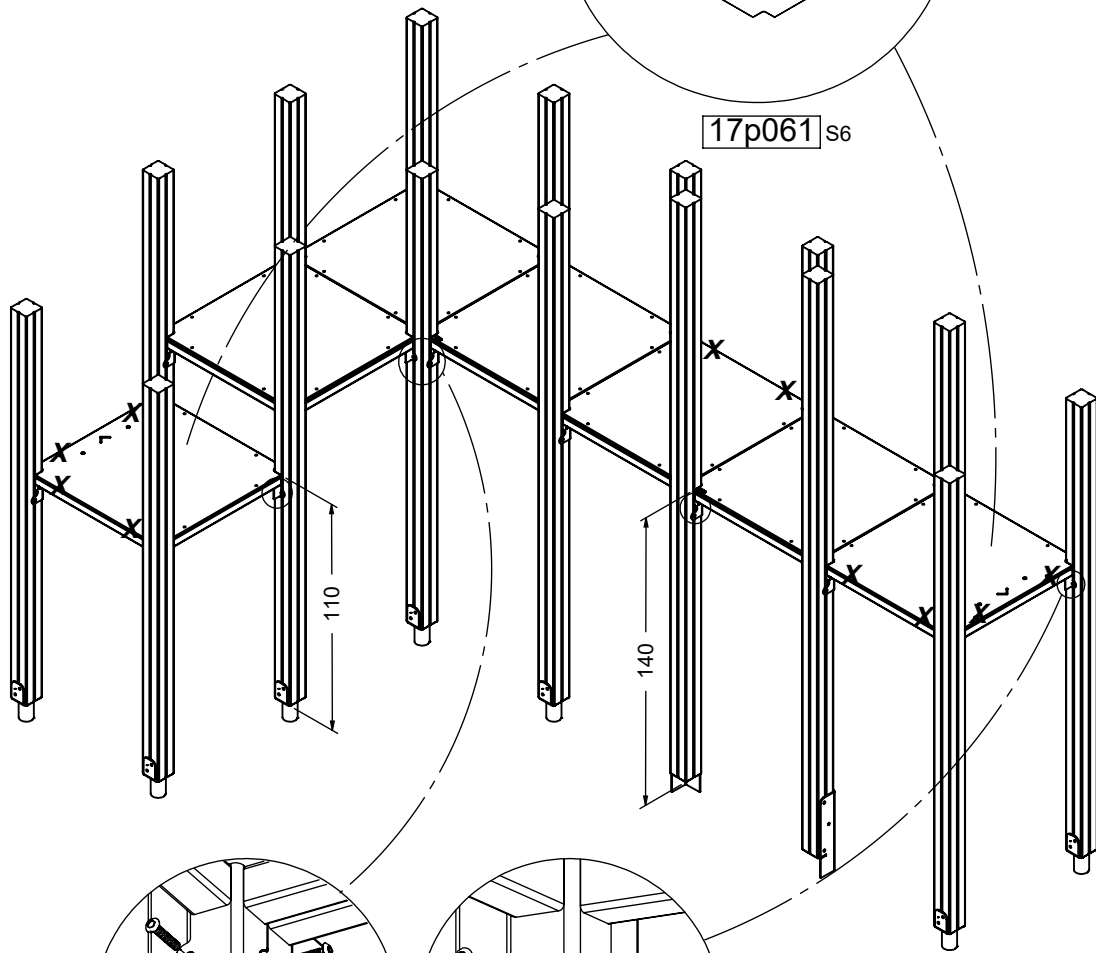
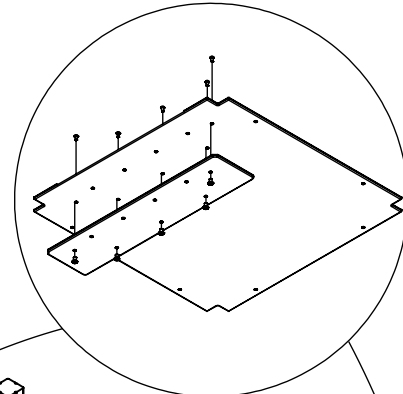
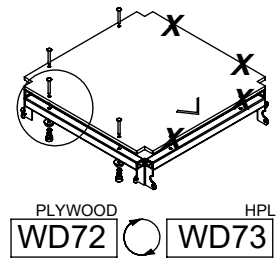
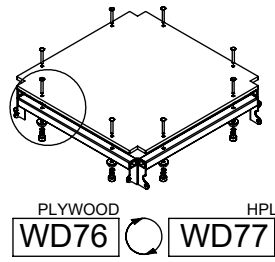
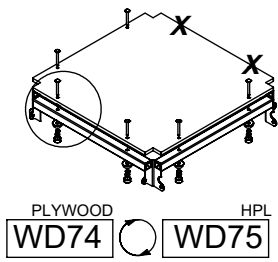
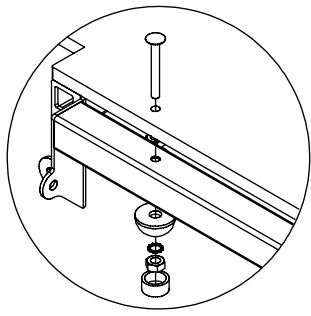
8x50 sxi



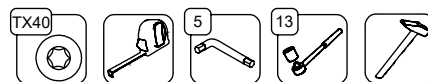
8x50 sxi



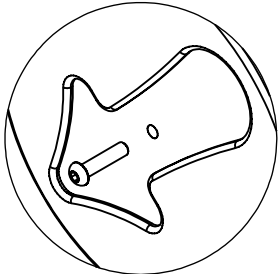
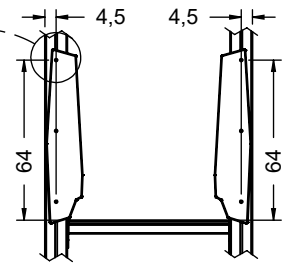
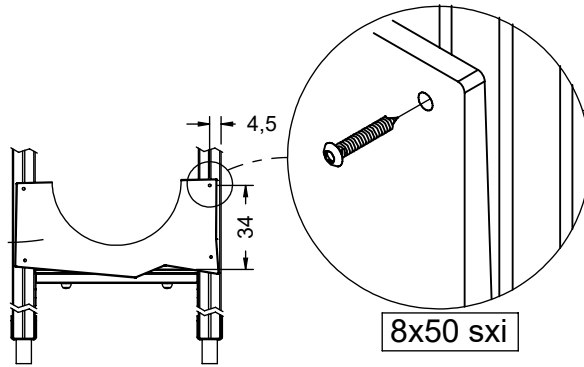
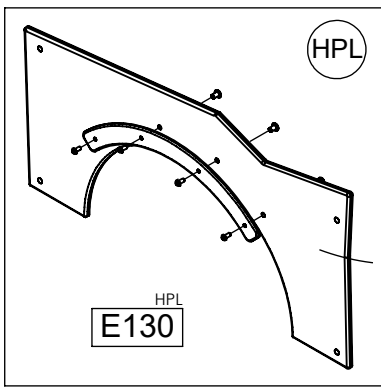
[cm]



[cm]

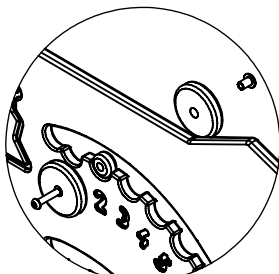


vinci
play



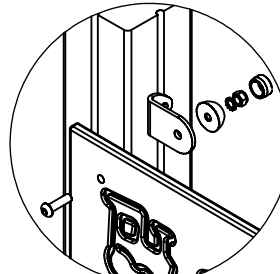
PLYWOOD
CE83

HPL
CL83



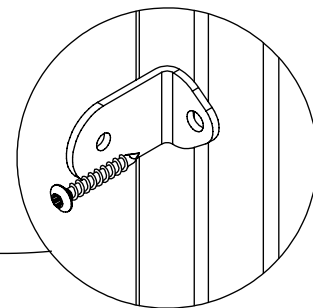
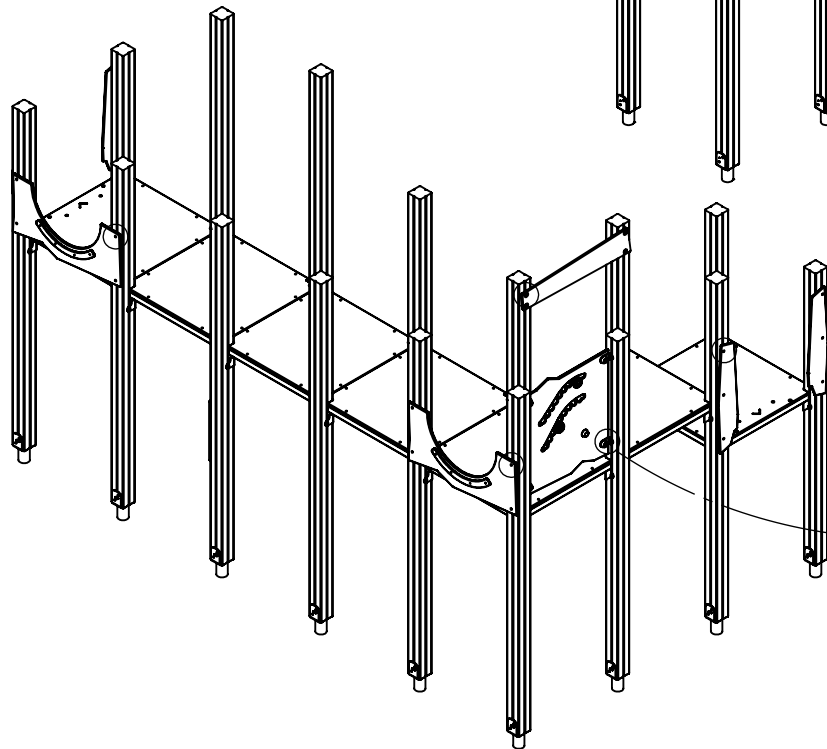
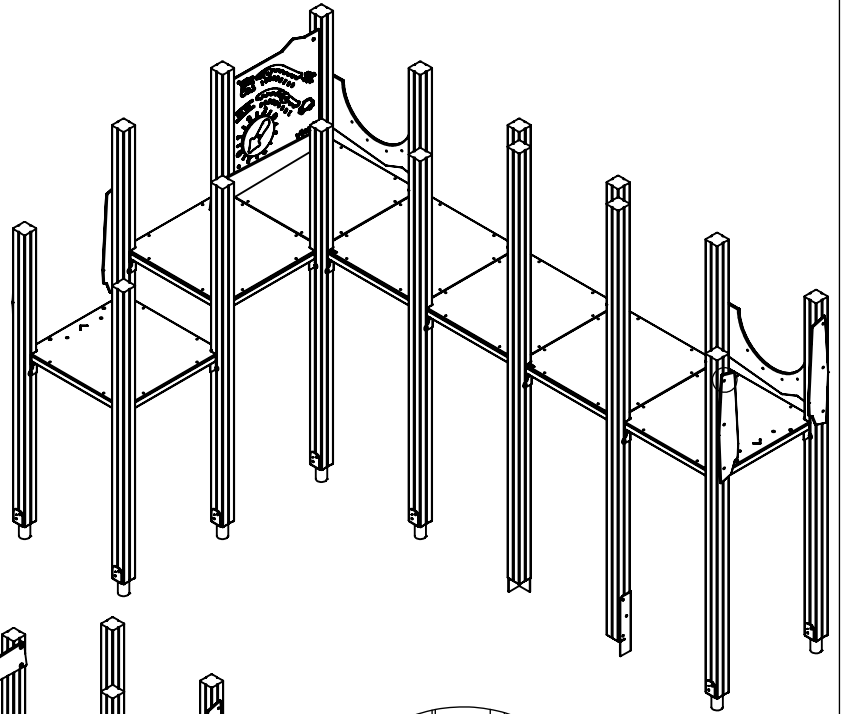
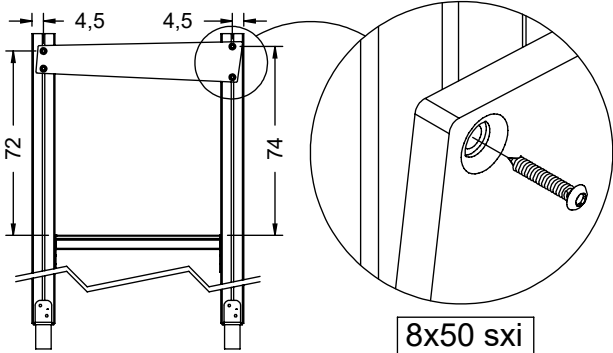
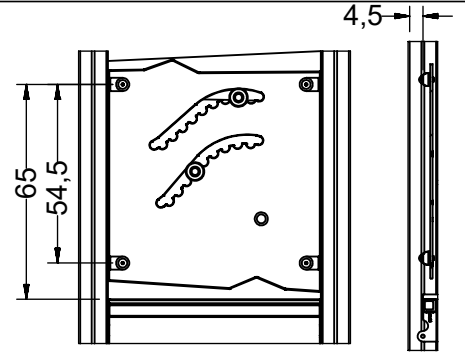
PLYWOOD
WE126

HPL
WL126



PLYWOOD
WE125

HPL
WL125

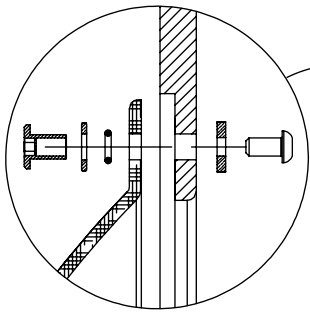


8x50 sxi
i128-1

[cm]

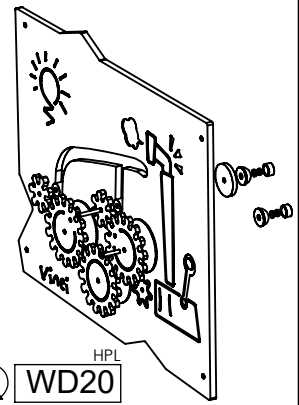
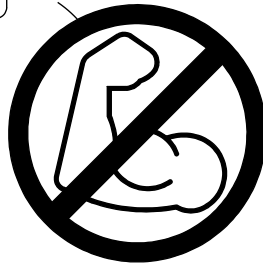
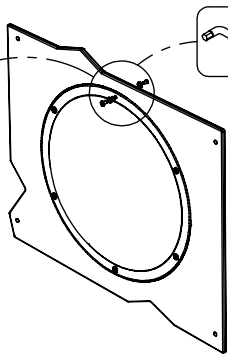


vinci
play



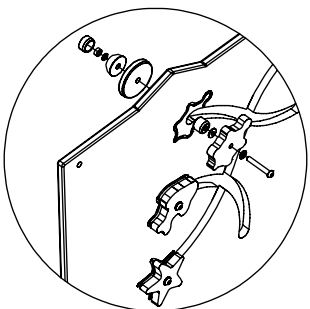
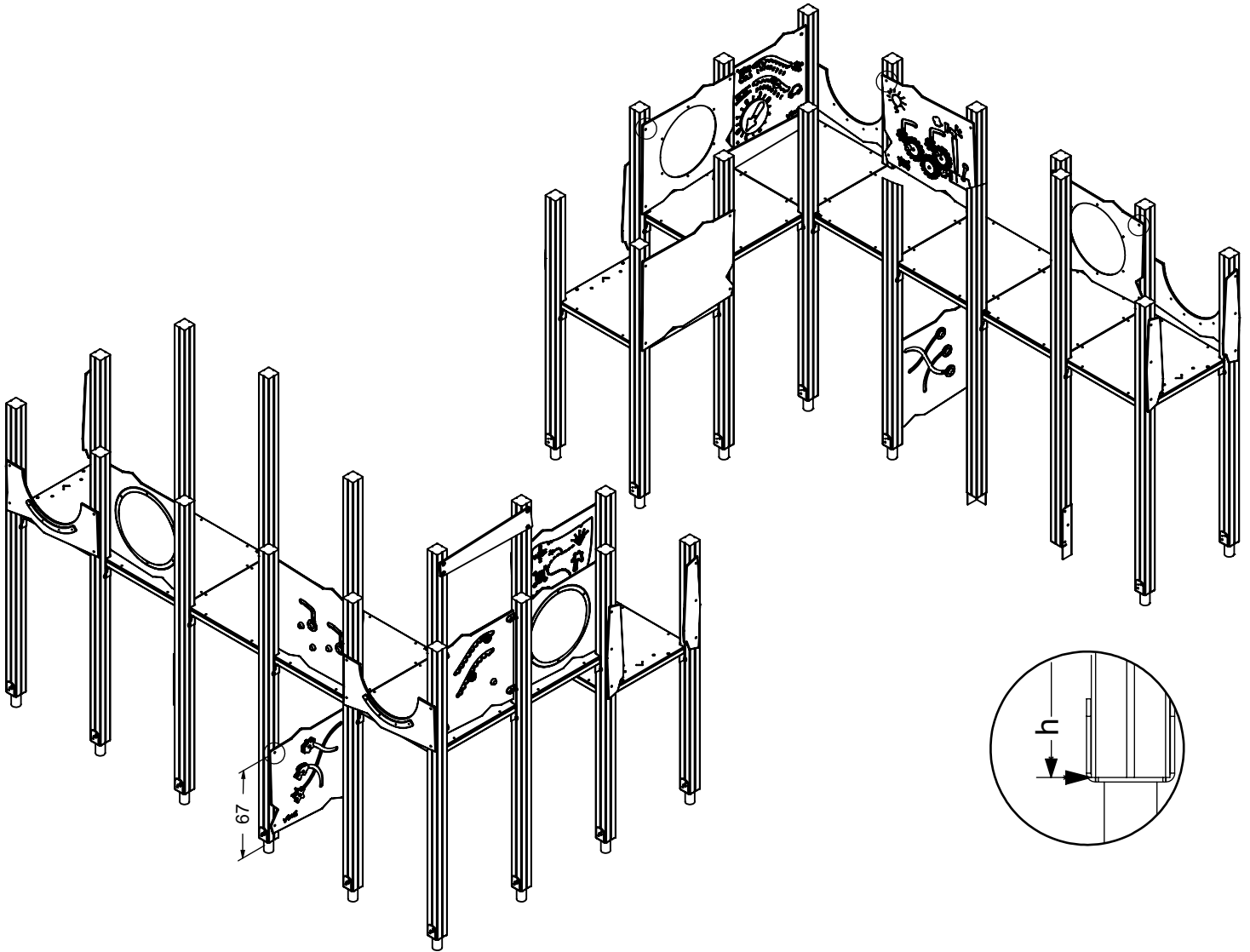
HDPE
CE9

HPL
CL9



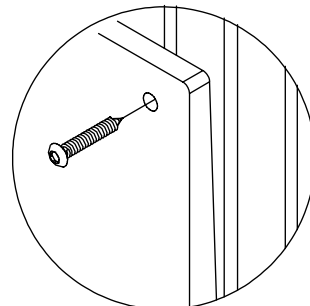
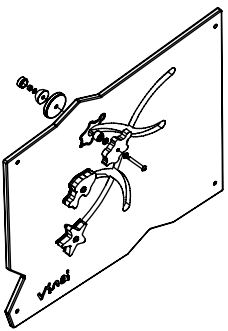
HDPE
WD19

HPL
WD20

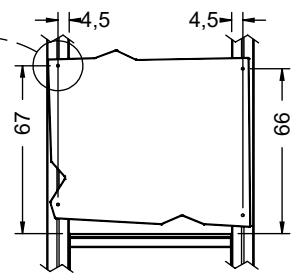


HDPE
CE8

HPL
CL8



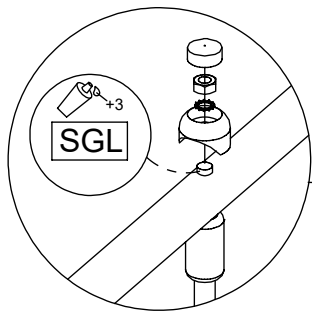
8x50 sxi



[cm]

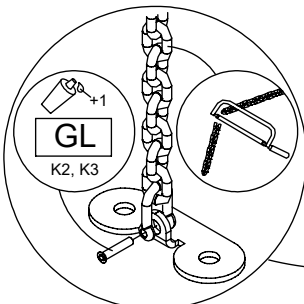
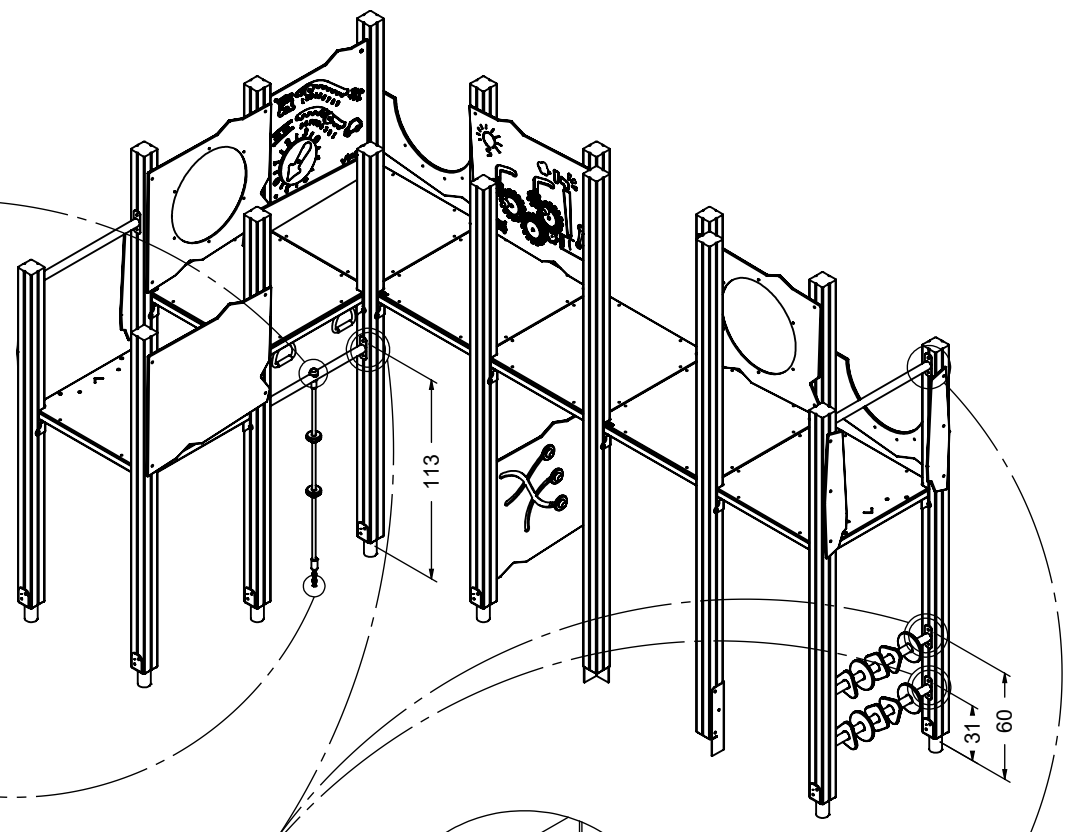


vinci
play



SGL

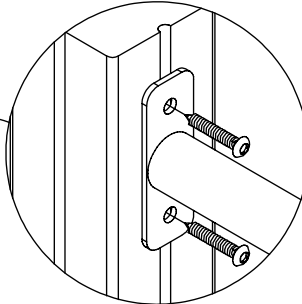
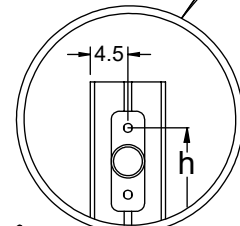
WD14-1



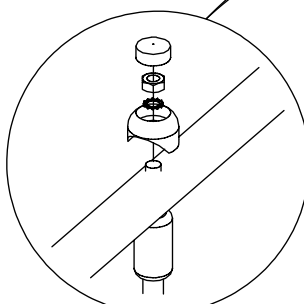
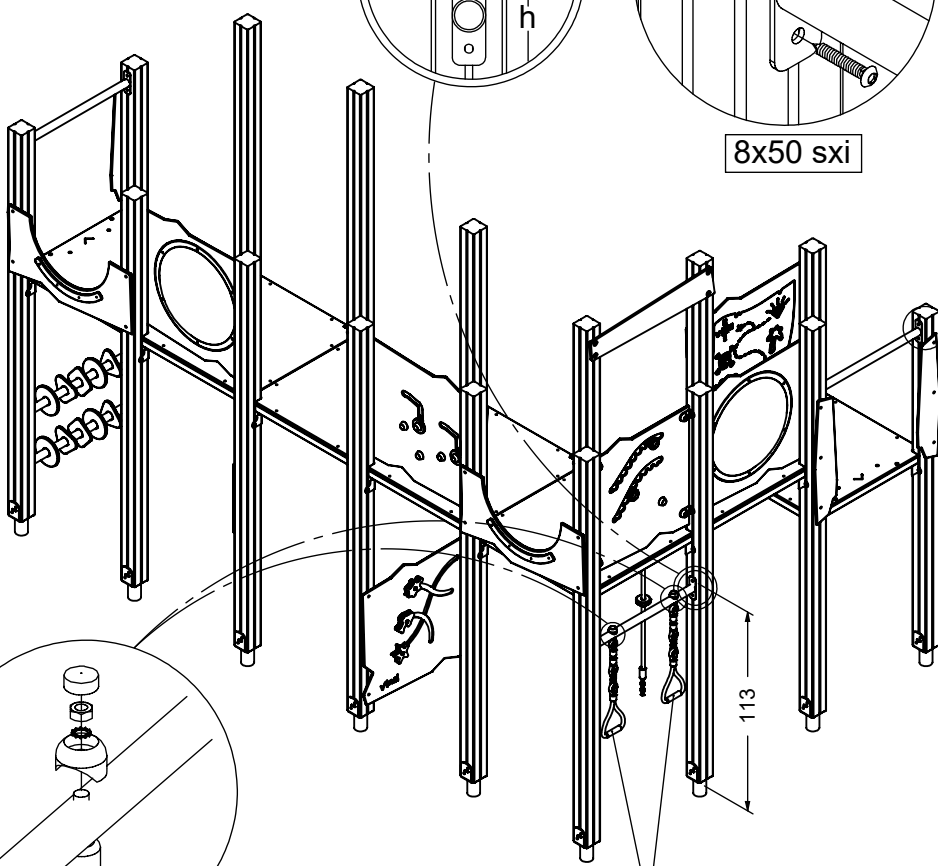
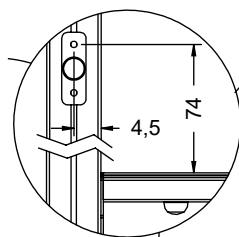
GL

K2, K3

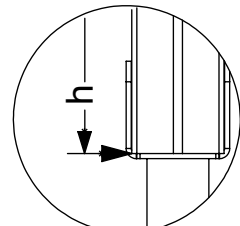
WD52



8x50 sxi

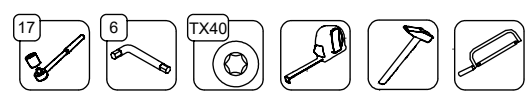


WD14-2

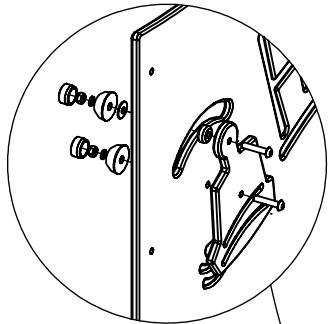
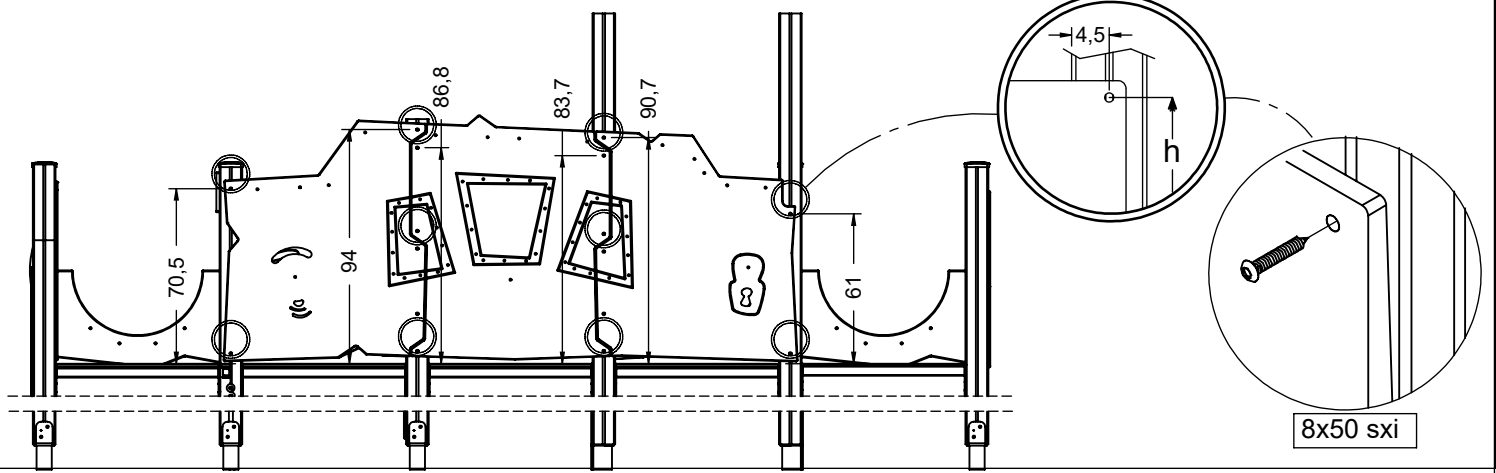


995100

[cm]

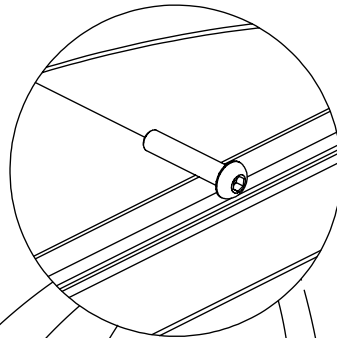


vinci
play

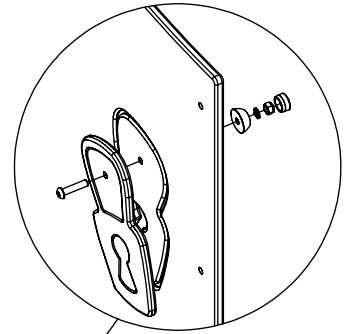


HDPE
c084

HPL
WD252

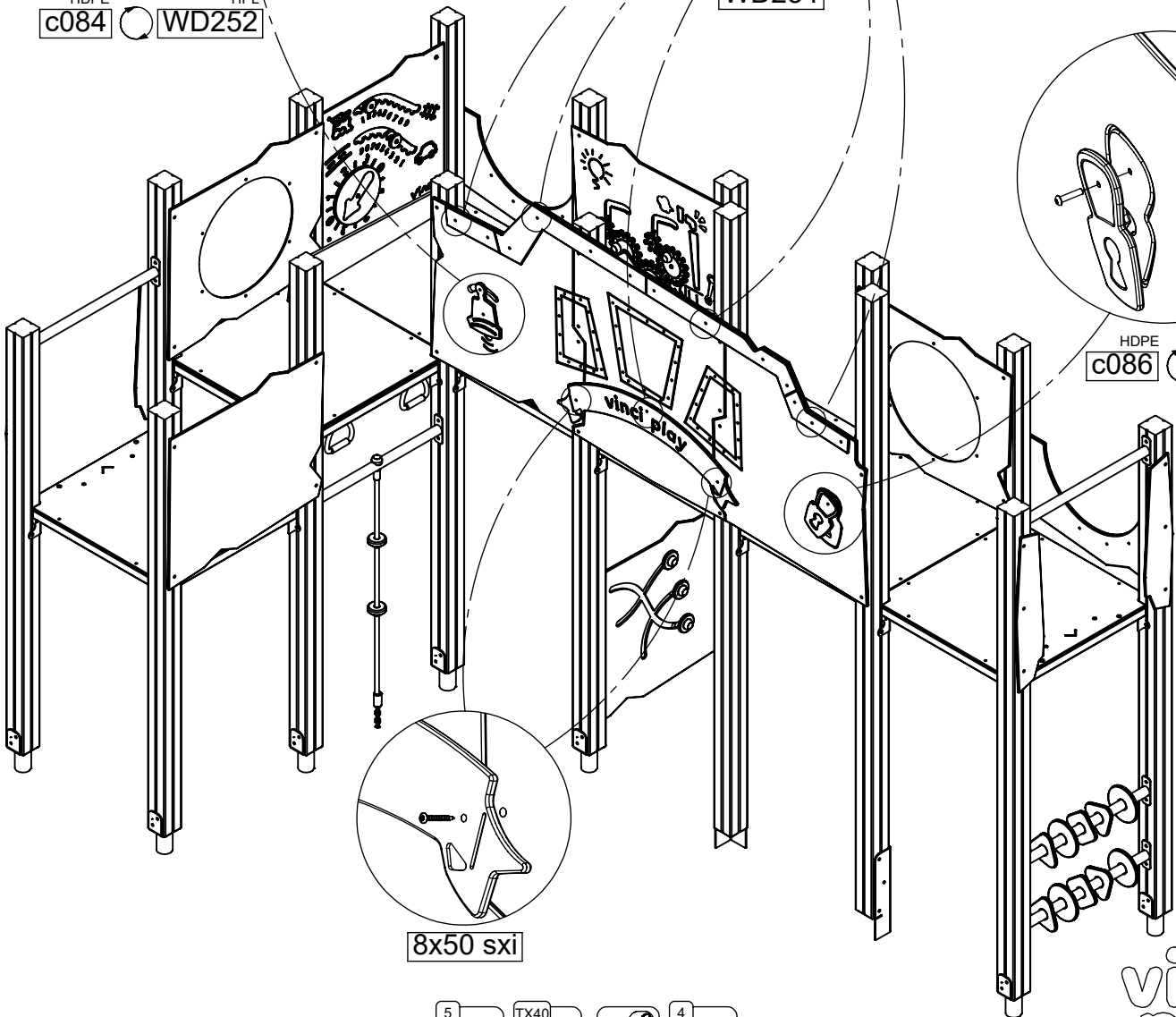


WD254



HDPE
c086

HPL
WD253



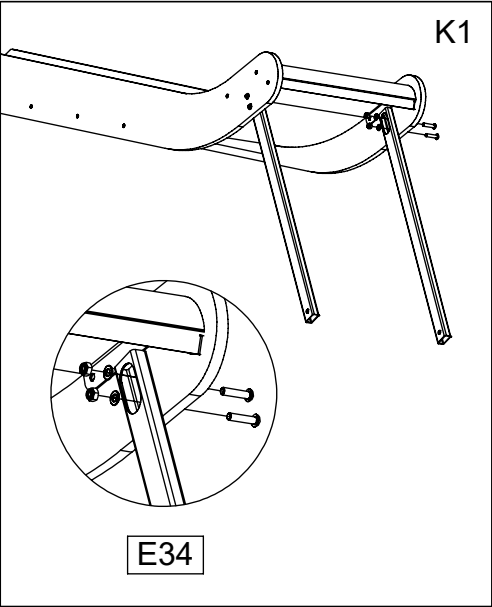
8x50 sxi



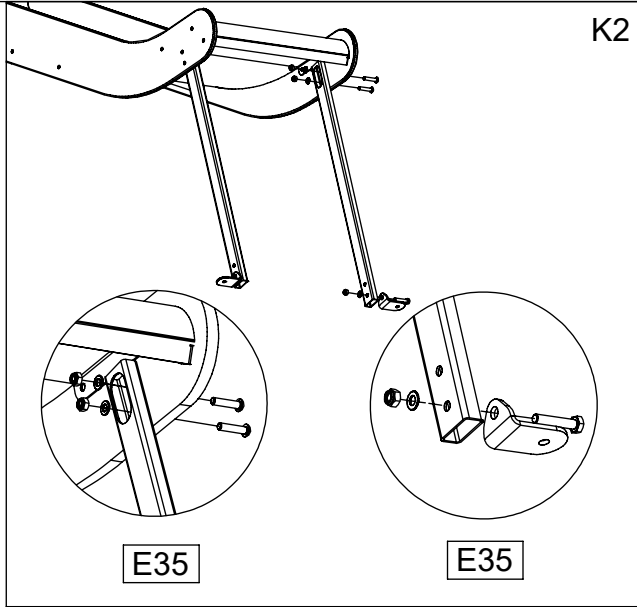
[cm]

vinci
play

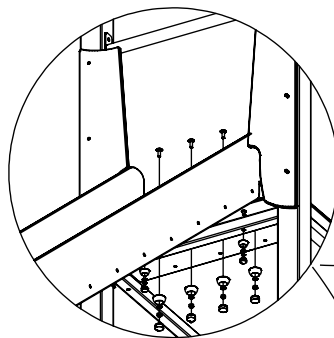
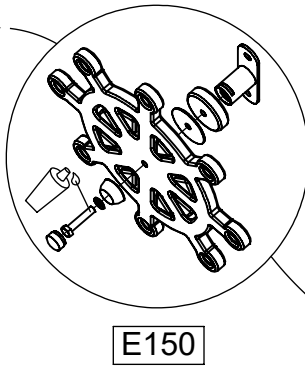
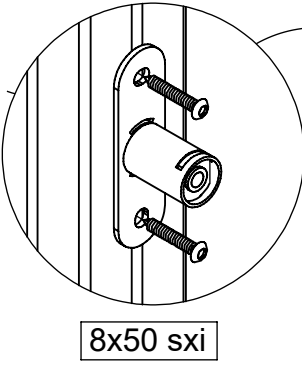
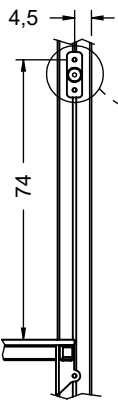
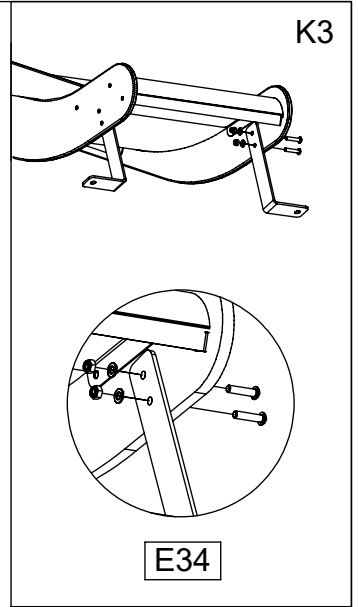
K1



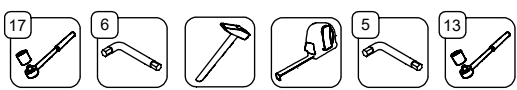
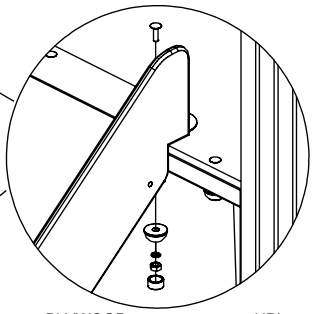
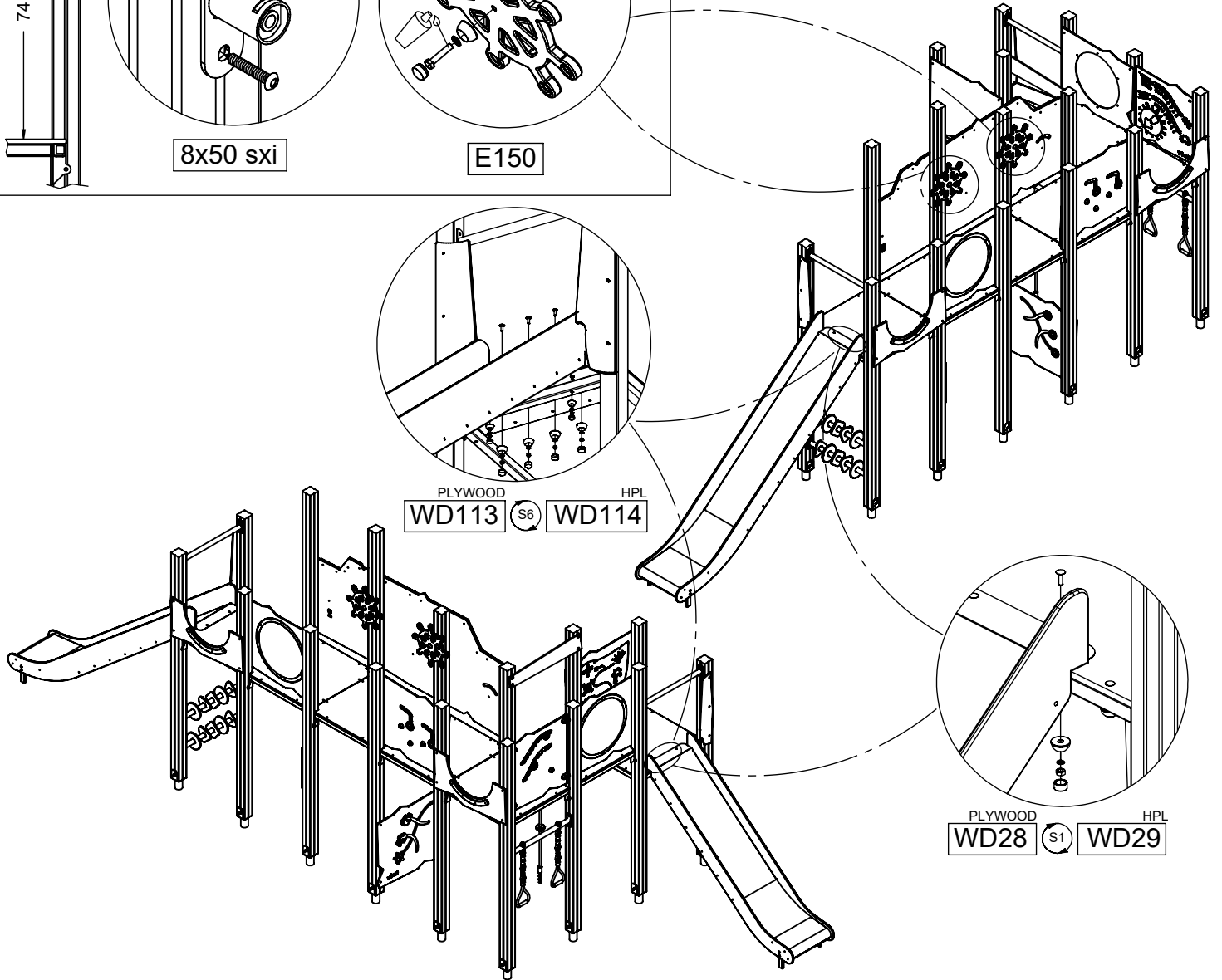
K2



K3

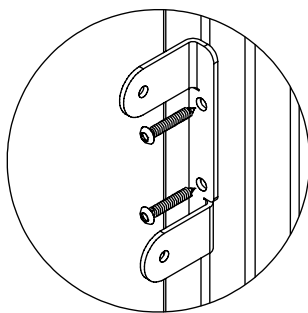
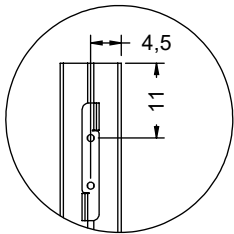


PLYWOOD WD113 S6 HPL WD114

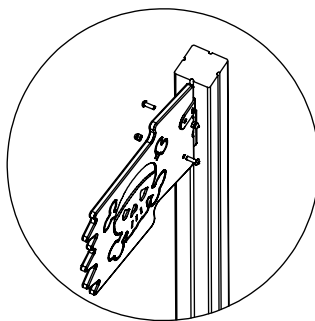


[cm]

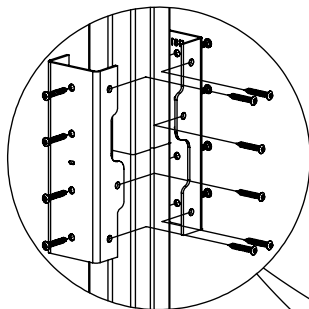
vinci play



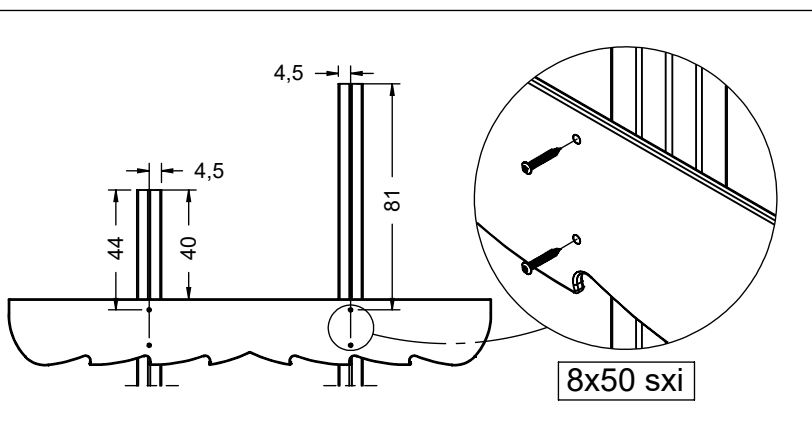
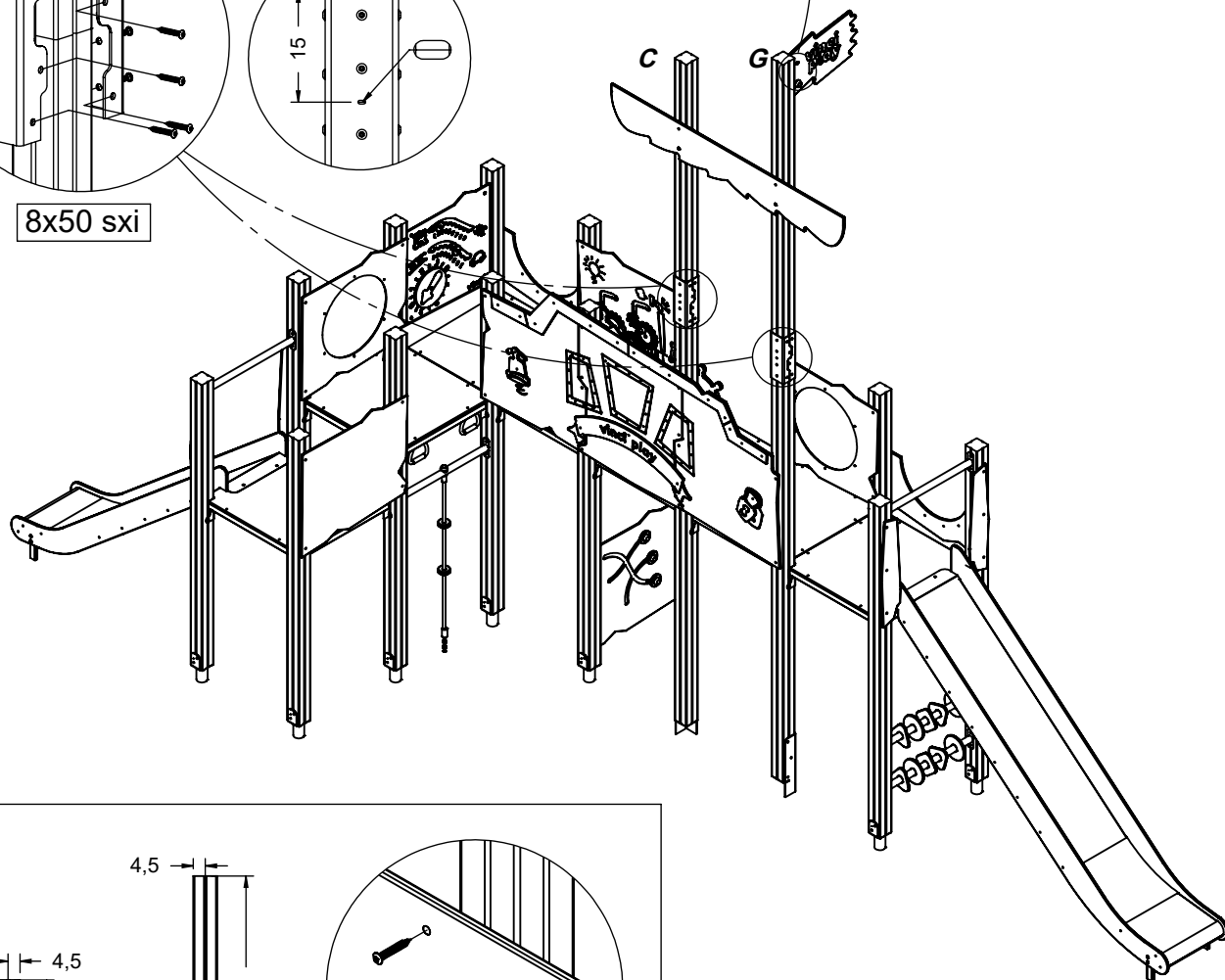
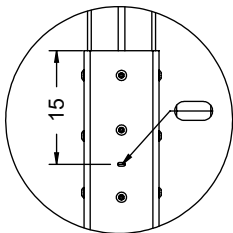
8x50 sxi



i030^{HPL}
WD213



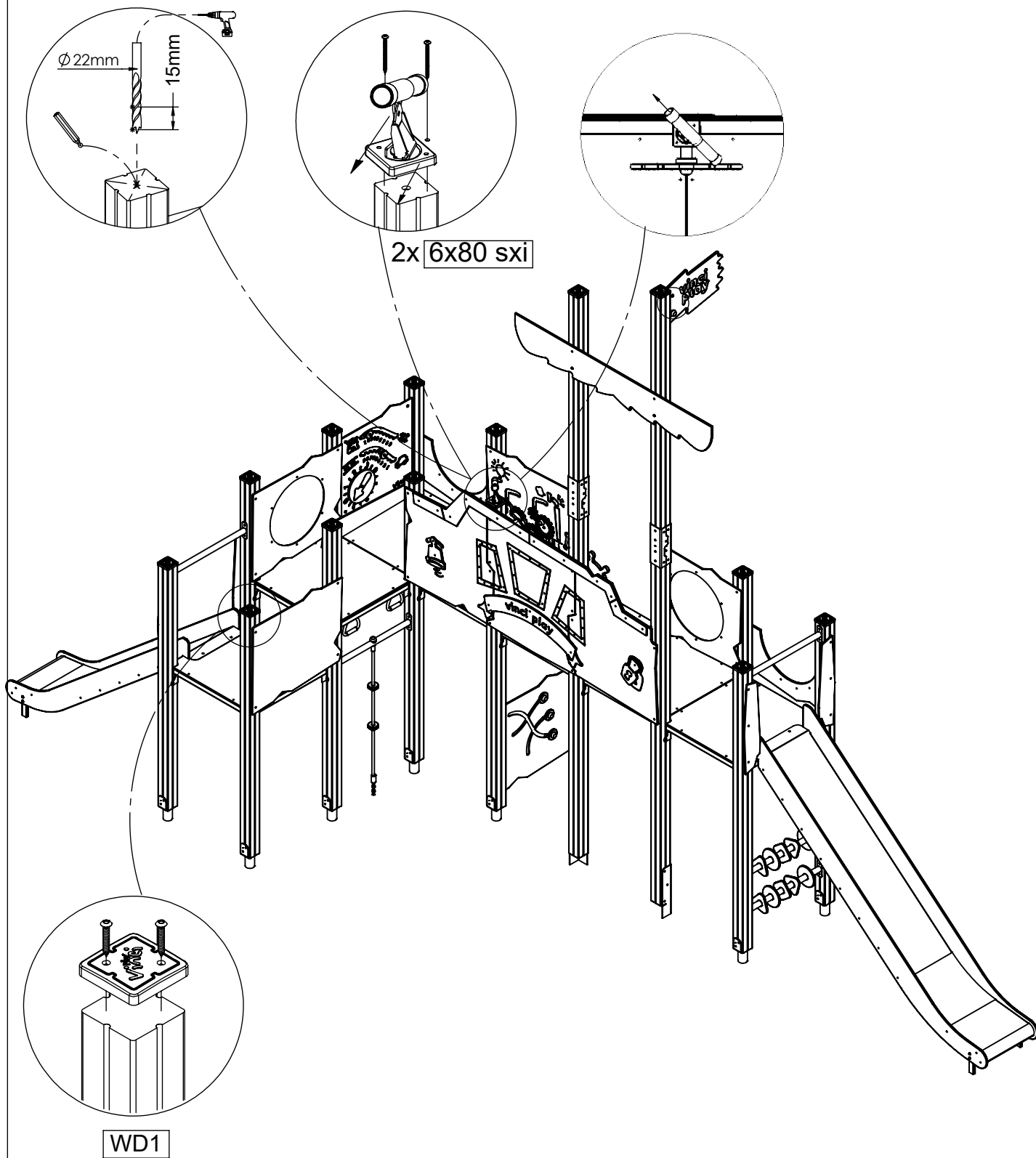
8x50 sxi



[cm]



vinci
play



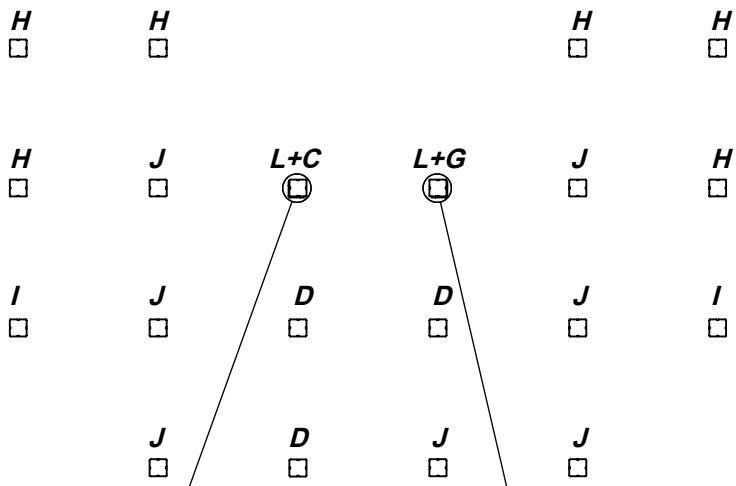
2x 6x80 sxi

WD1

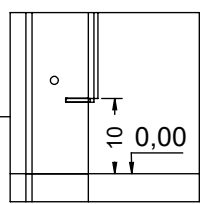
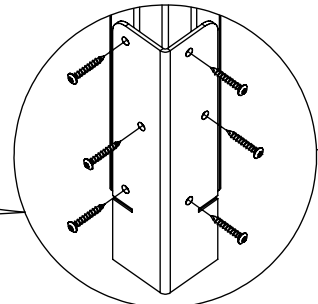
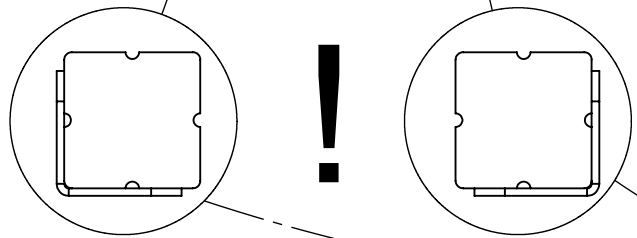
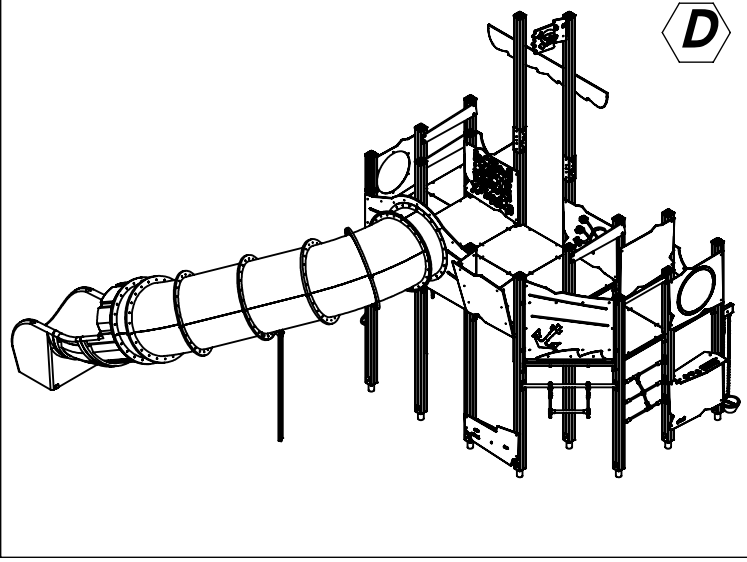
[cm]



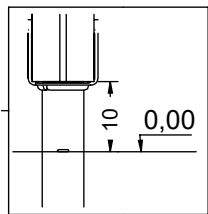
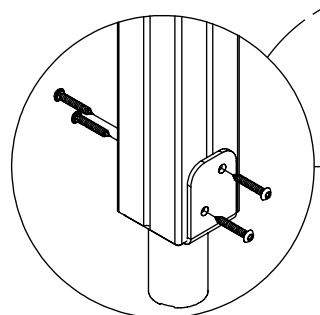
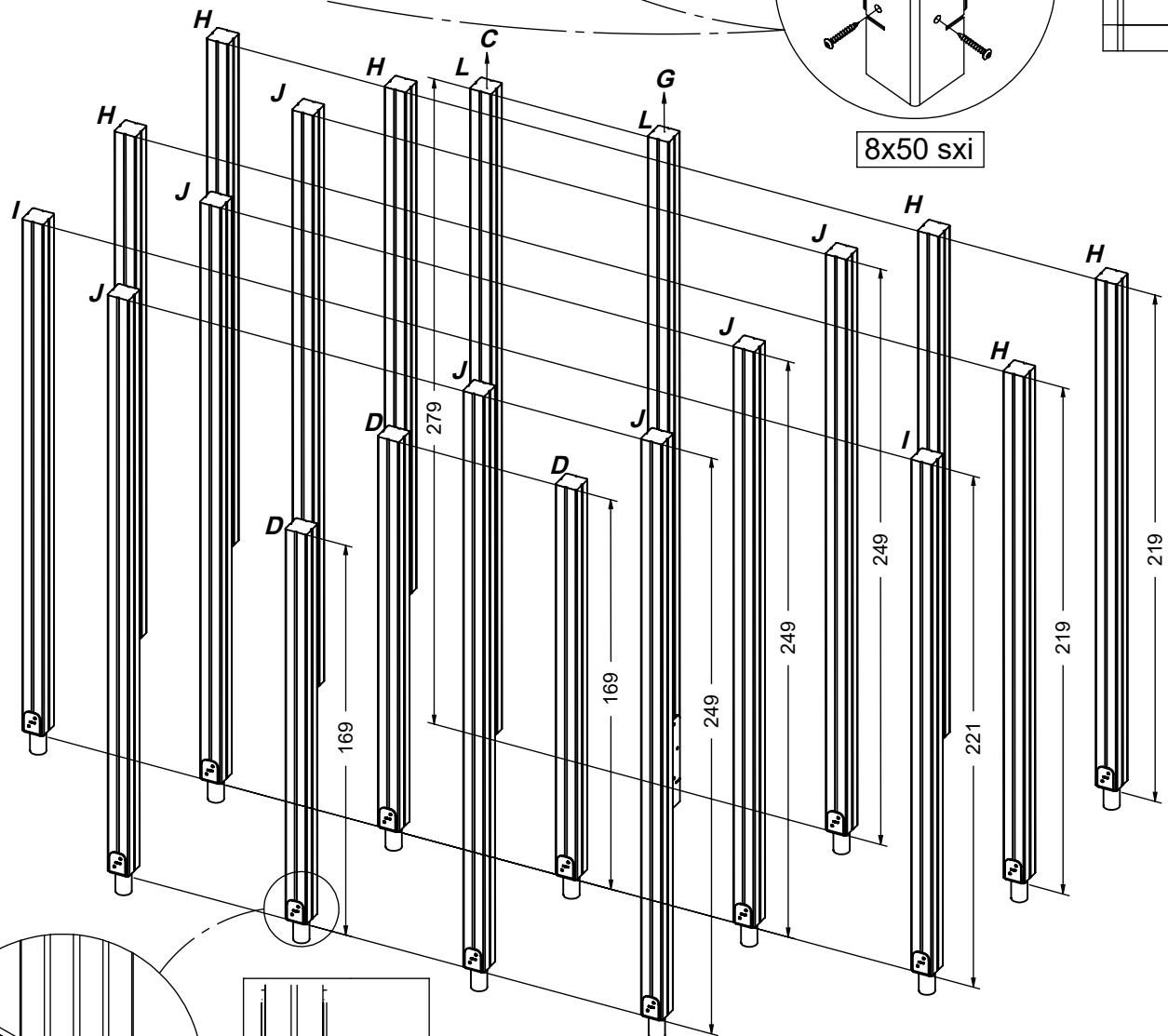
vinci
play



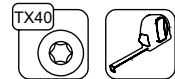
D



8x50 sxi

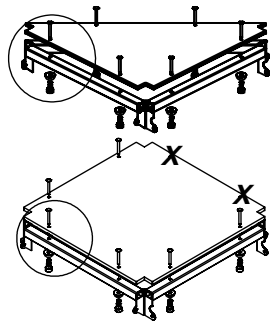
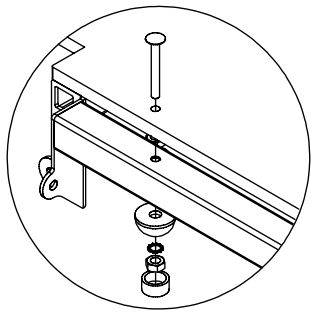


8x50 sxi



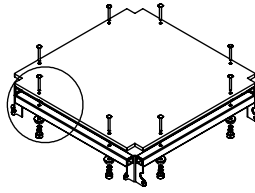
[cm]

vinci play



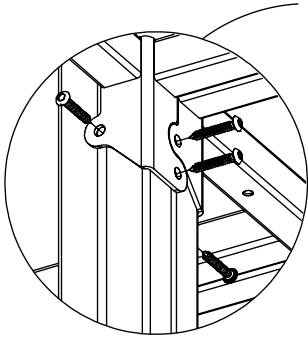
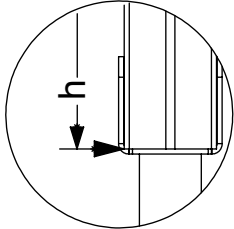
PLYWOOD
WD74

HPL
WD75

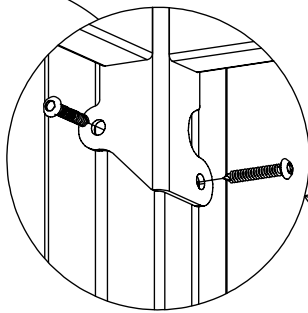


PLYWOOD
WD76

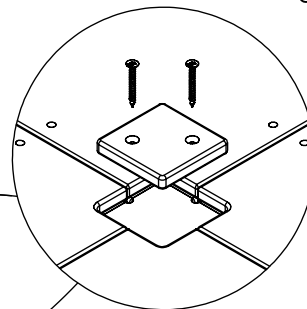
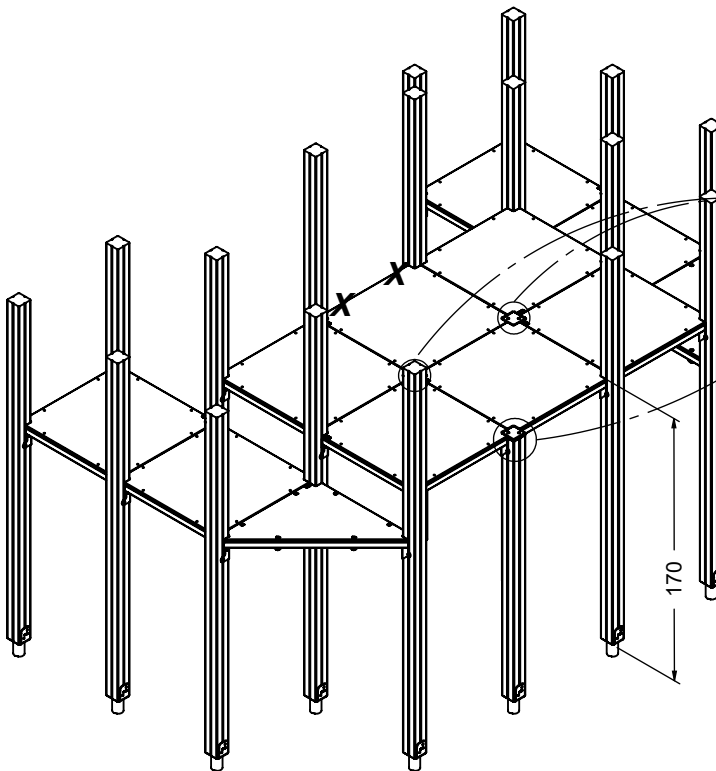
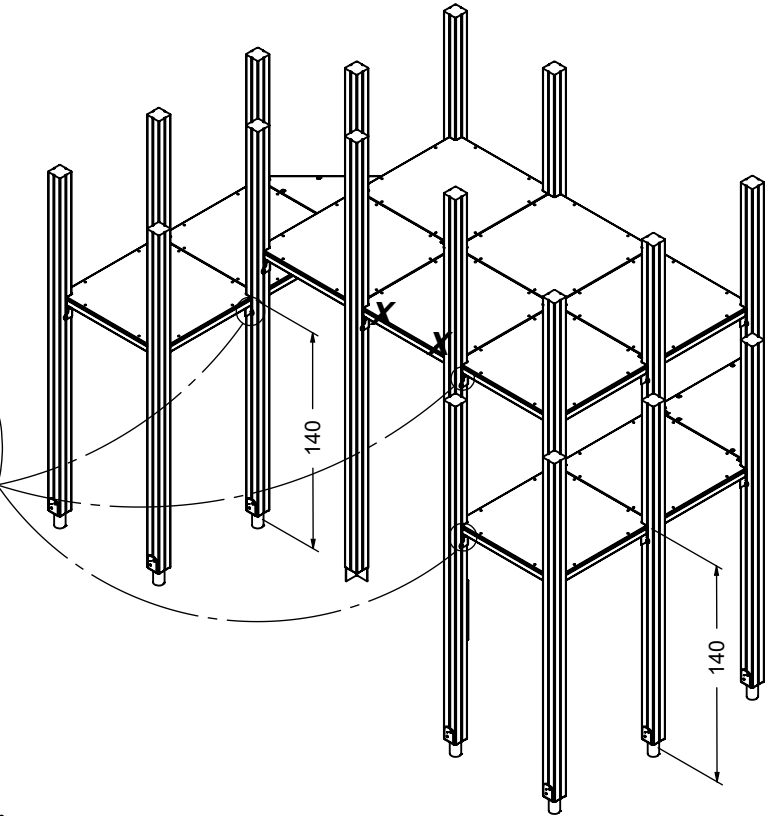
HPL
WD77



8x50 sxi



8x50 sxi

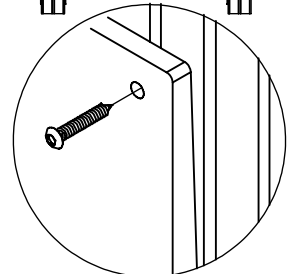
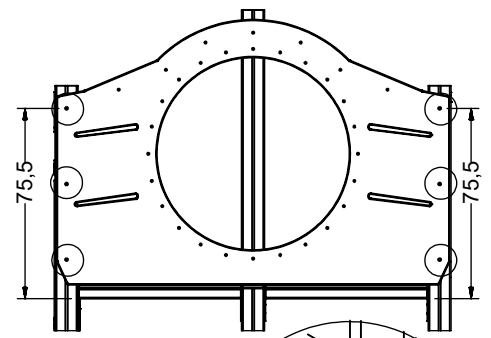
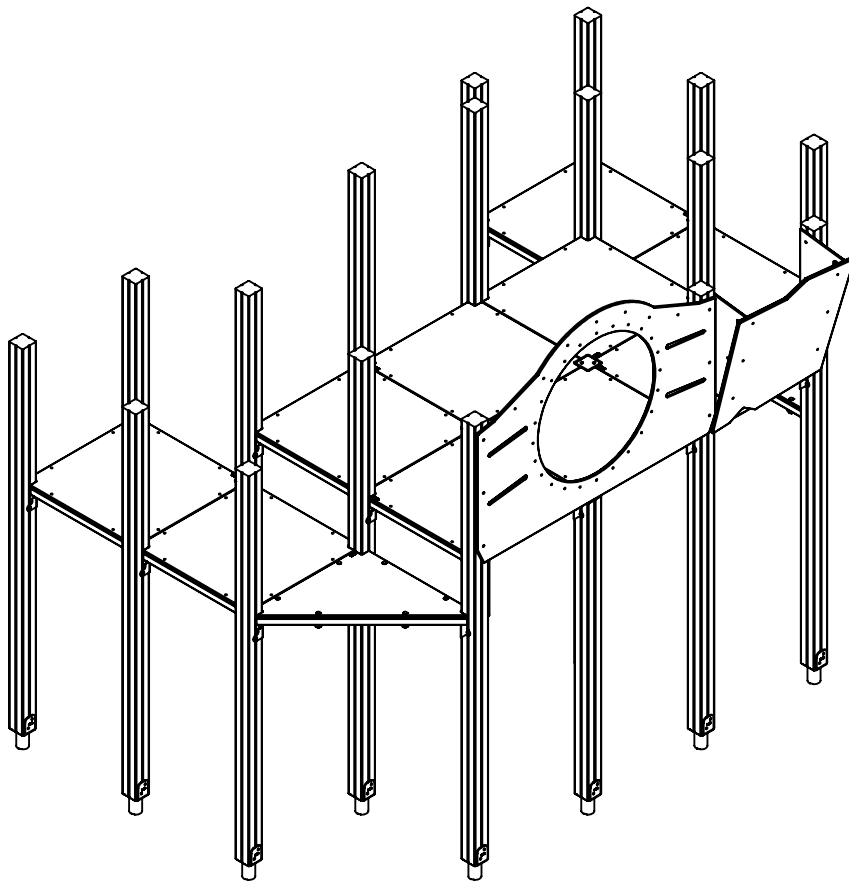


6x50 sxs

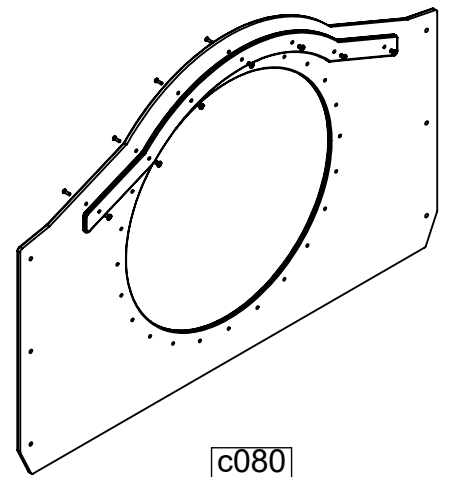
[cm]



vinci
play

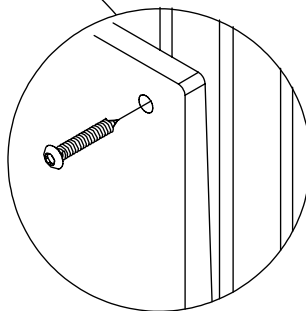
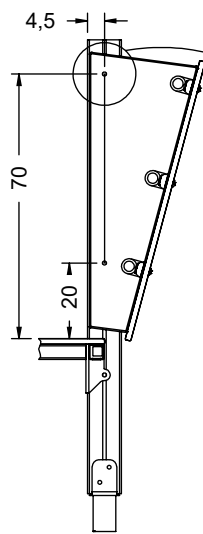
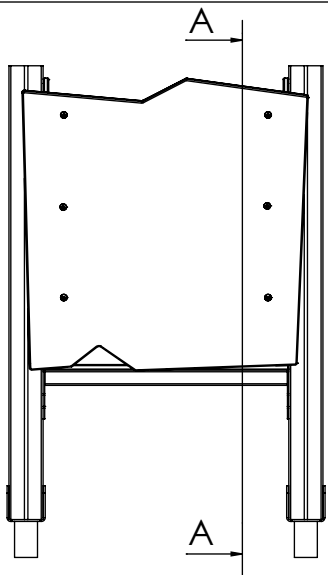


8x50 sxi

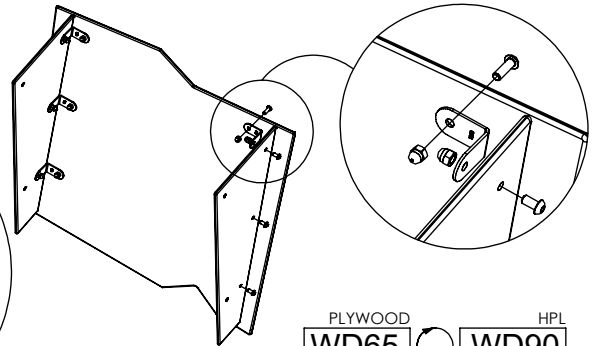


c080

c164



8x50 sxi



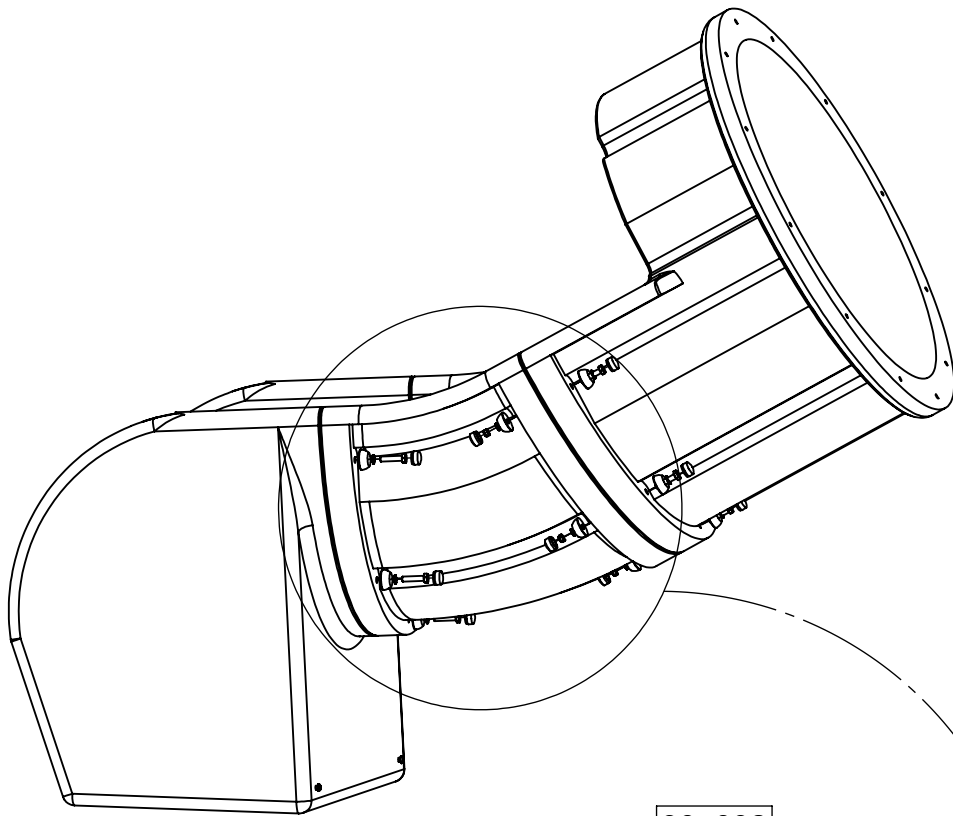
PLYWOOD
WD65

HPL
WD90

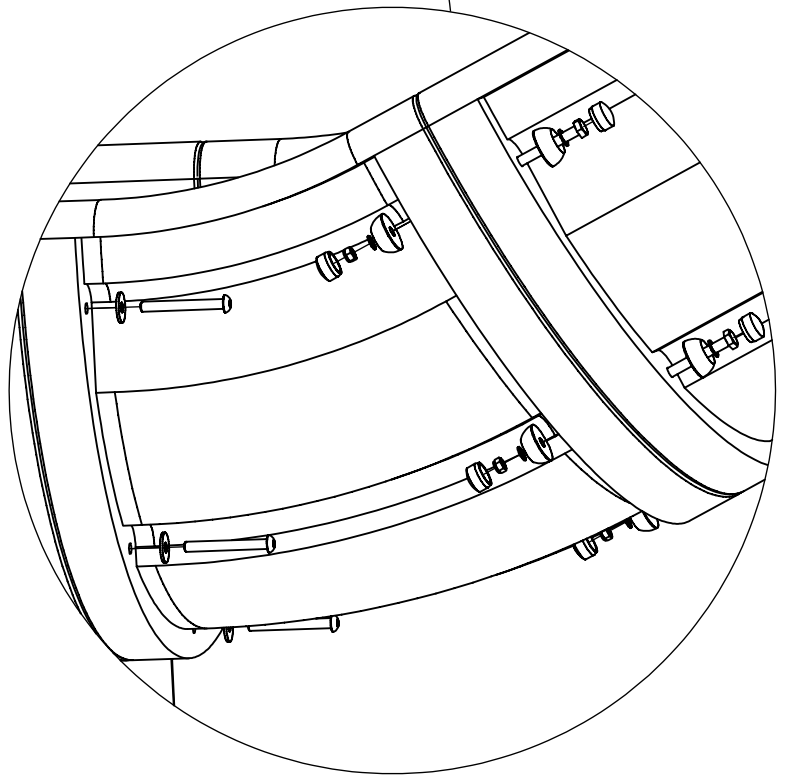
[cm]



vinci
play

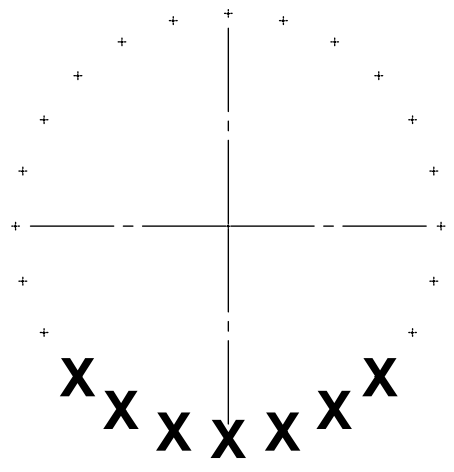
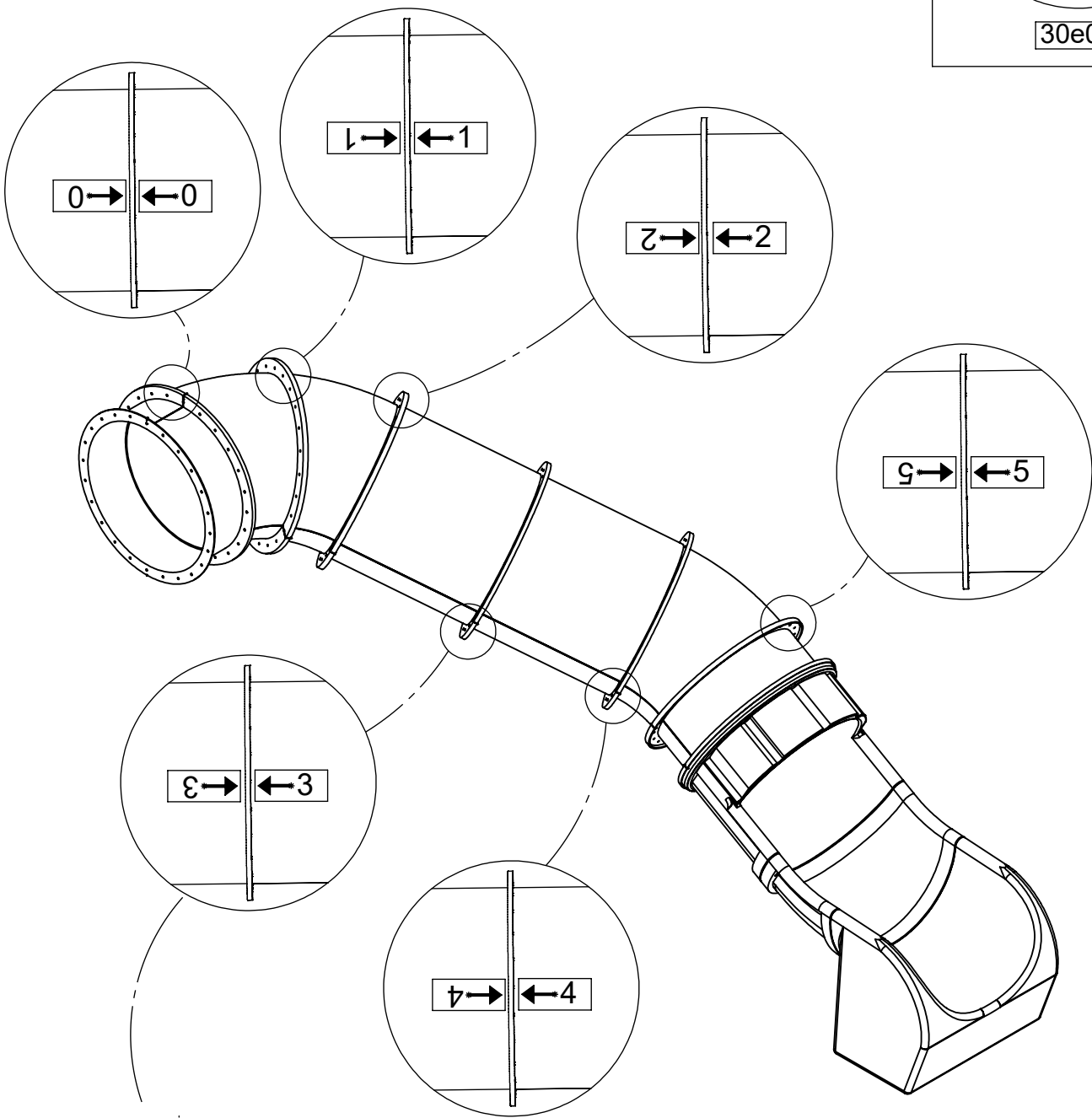
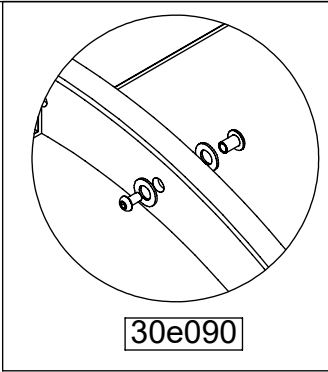


30e092



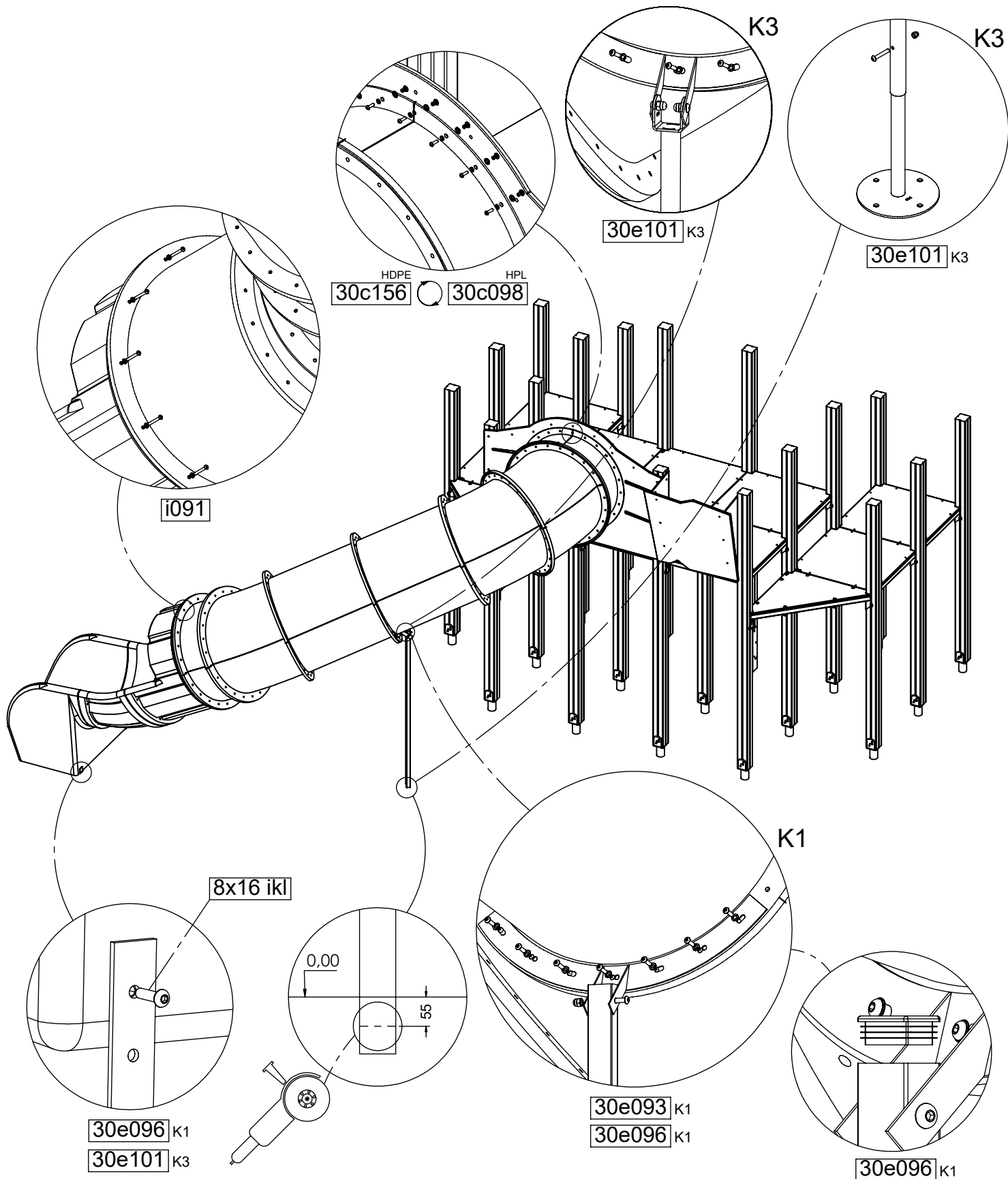
[cm]

vinci
play



[cm]

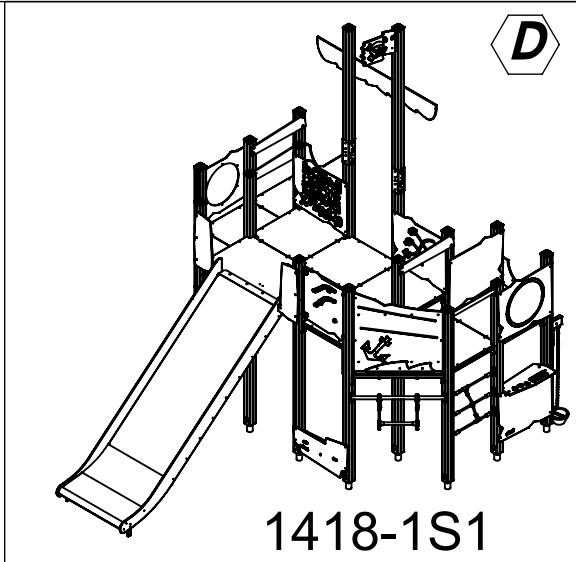
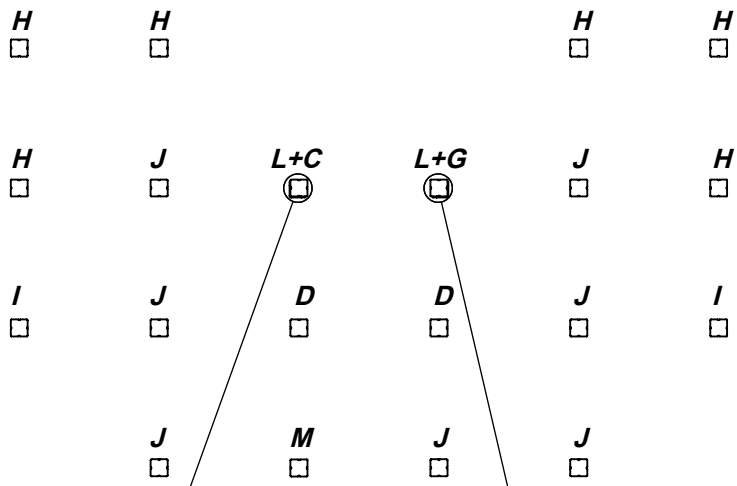
vinci
play



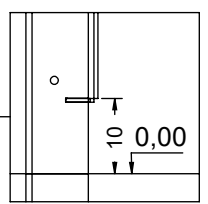
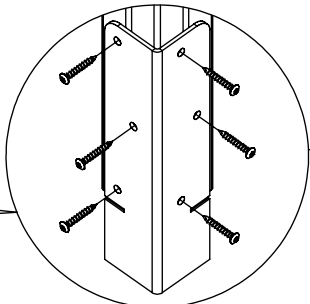
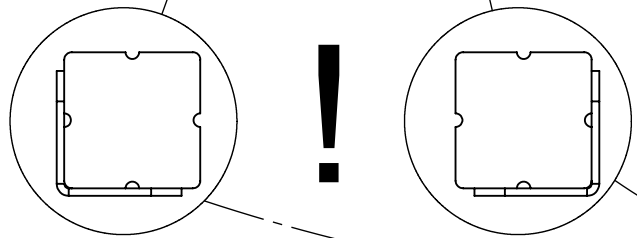
[cm]



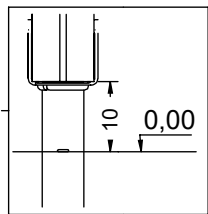
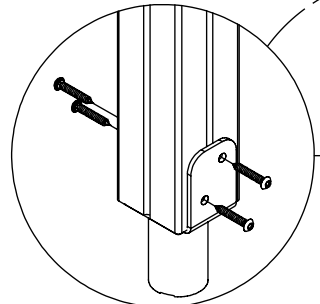
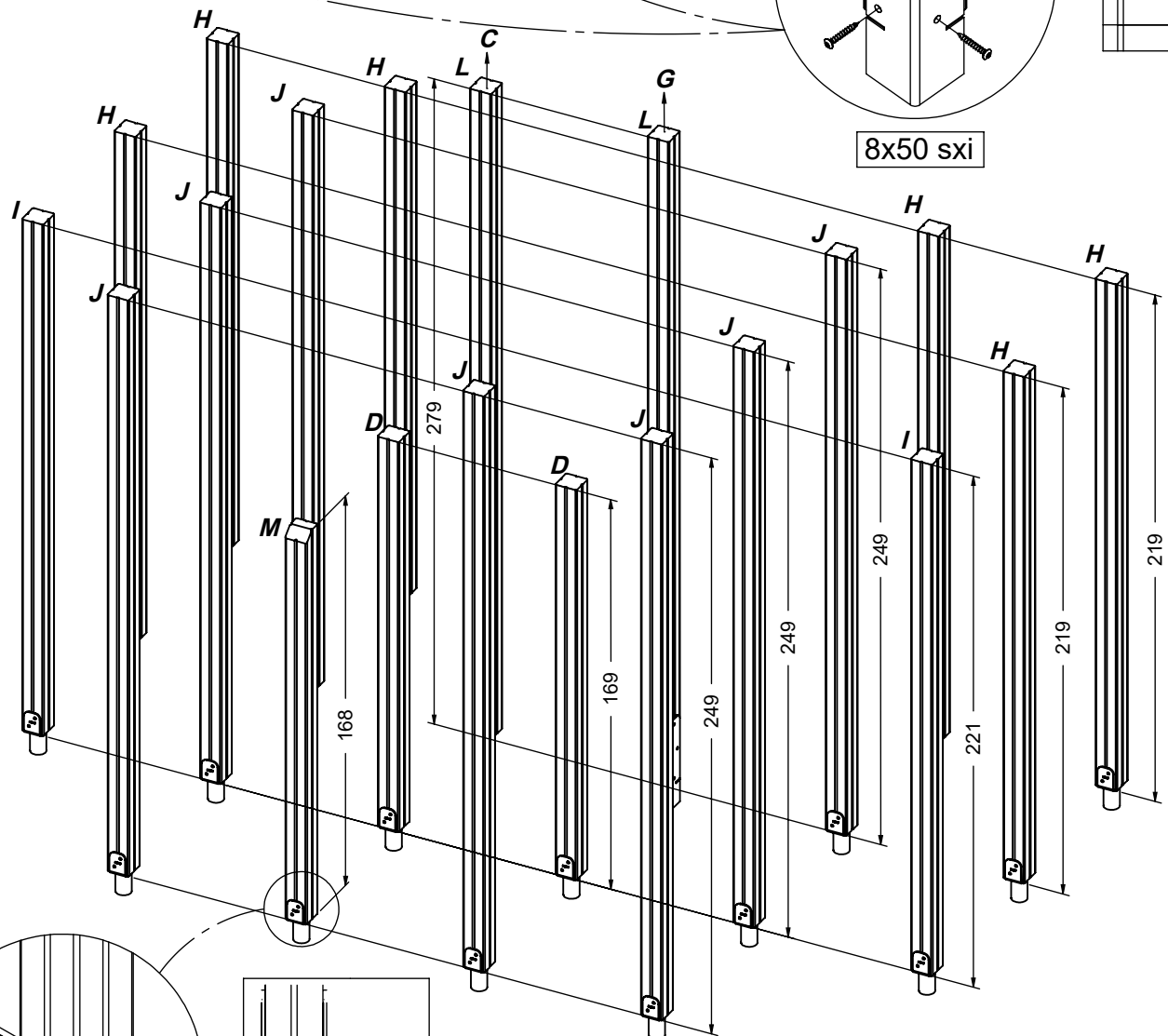
vinci
play



D



8x50 sxi

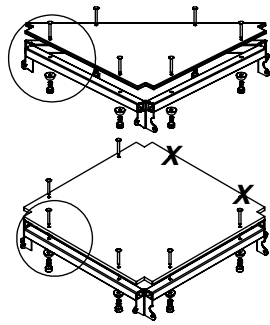
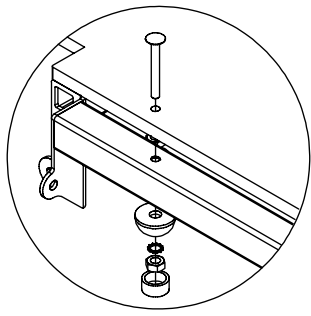


8x50 sxi



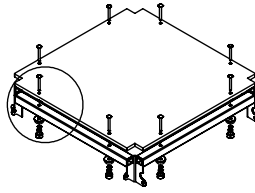
[cm]

vinci play



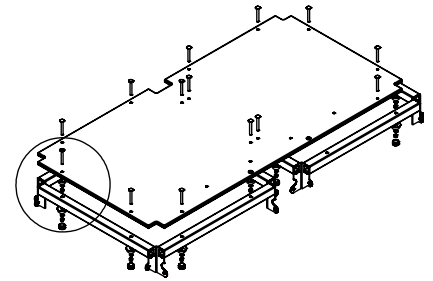
PLYWOOD
WD74

HPL
WD75



PLYWOOD
WD76

HPL
WD77



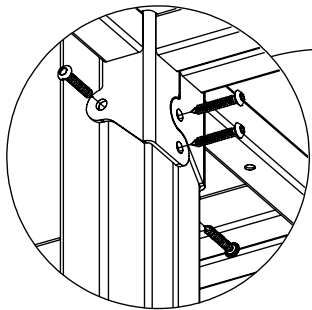
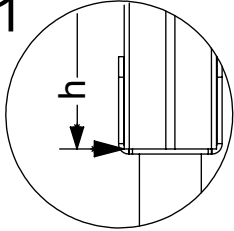
PLYWOOD
WD74

HPL
WD75

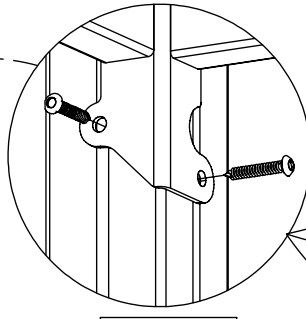
PLYWOOD
WD76

HPL
WD77

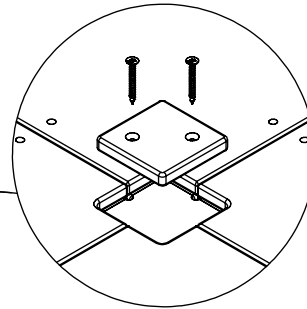
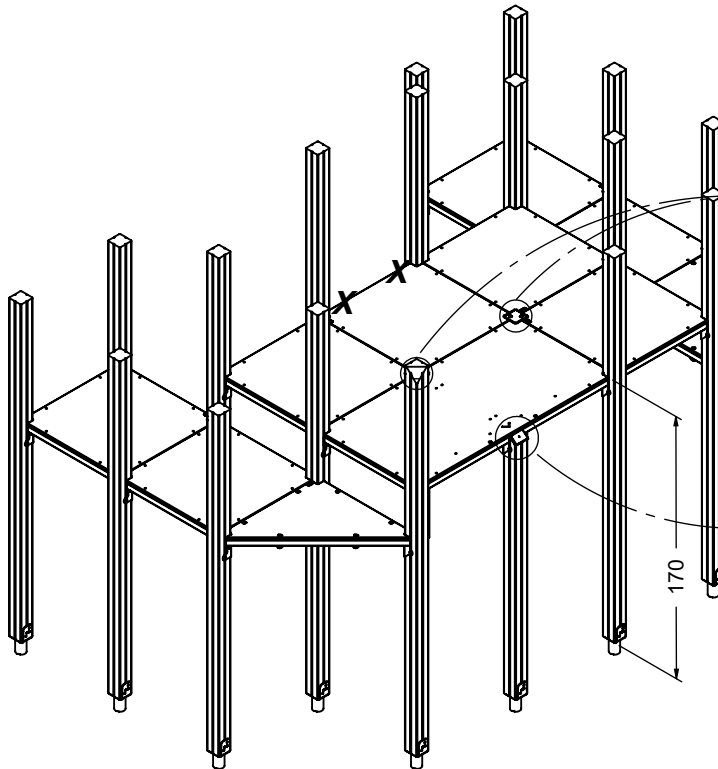
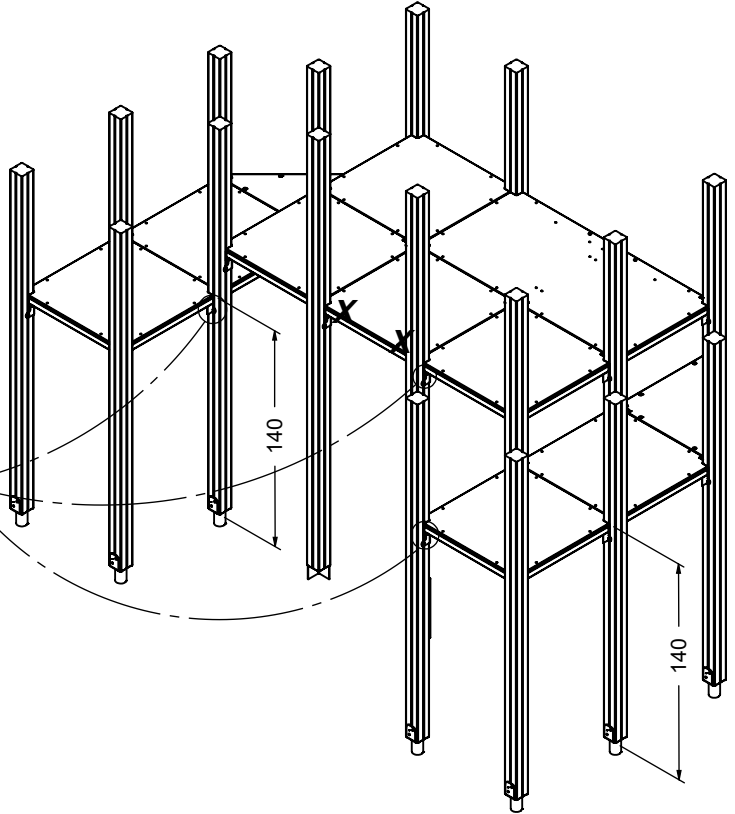
1418-1S1



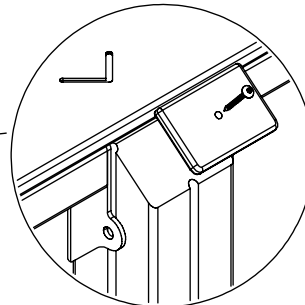
8x50 sxi



8x50 sxi



6x50 sxs



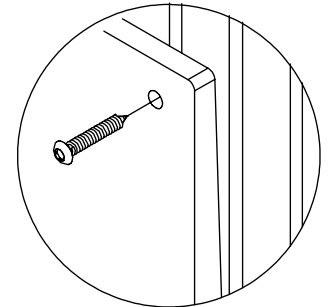
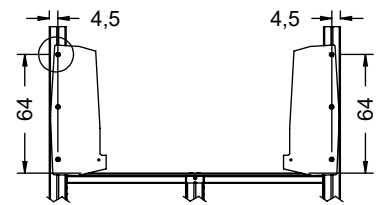
WD1-1

[cm]

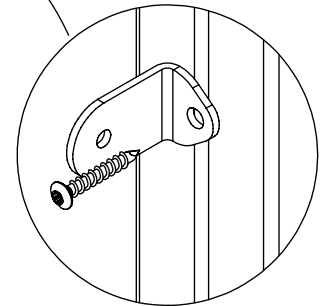


vinci
play

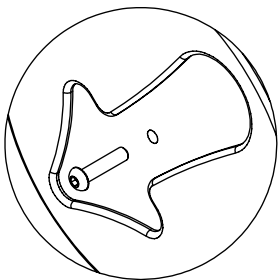
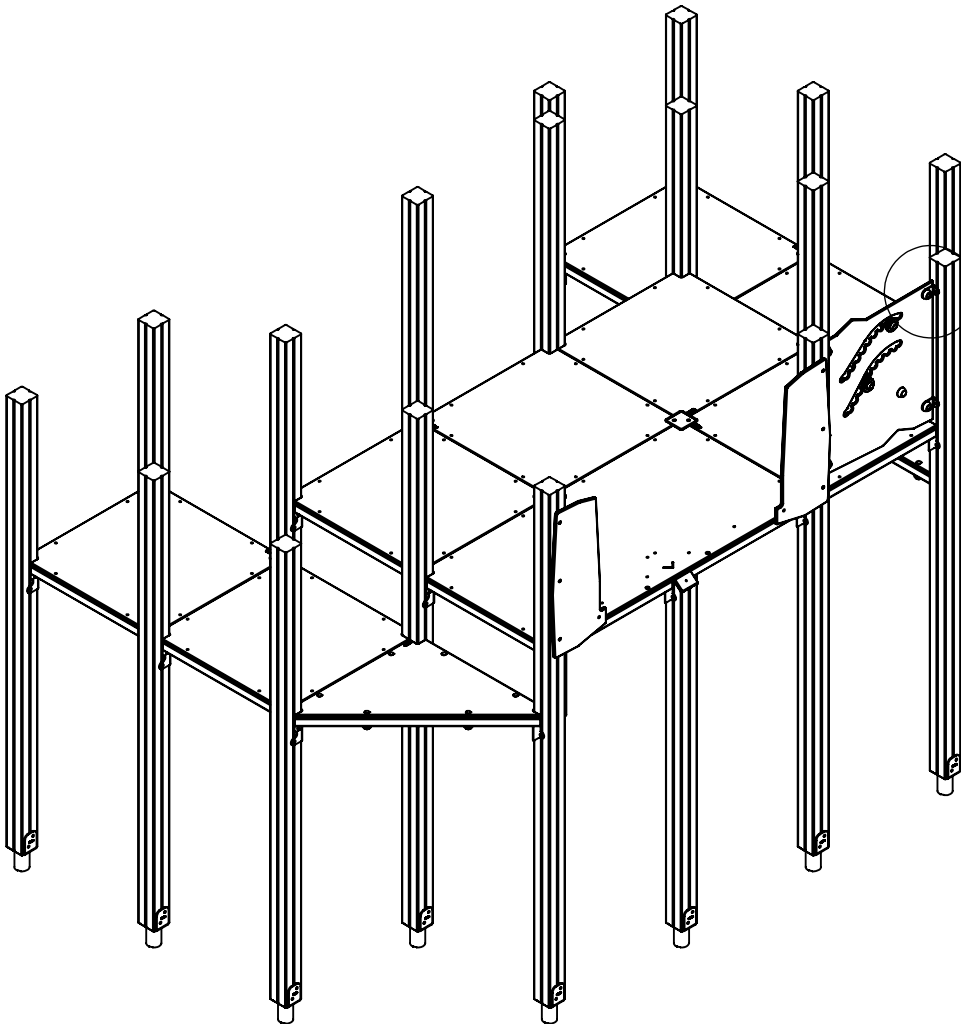
1418-1S1



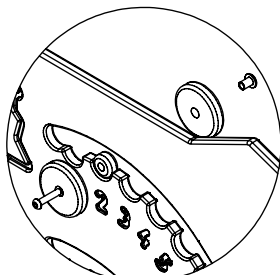
8x50 sxi



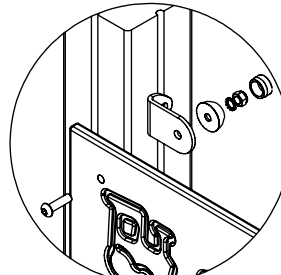
8x50 sxi
i128-1



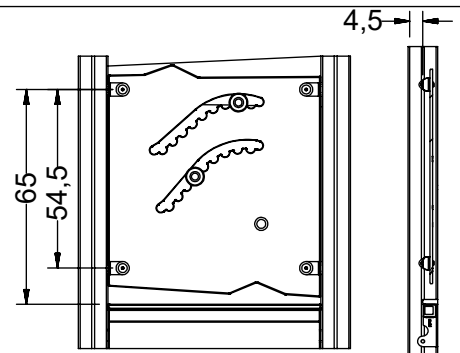
PLYWOOD HPL
CE83 CL83



PLYWOOD HPL
WE126 WL126



PLYWOOD HPL
WE125 WL125



[cm]

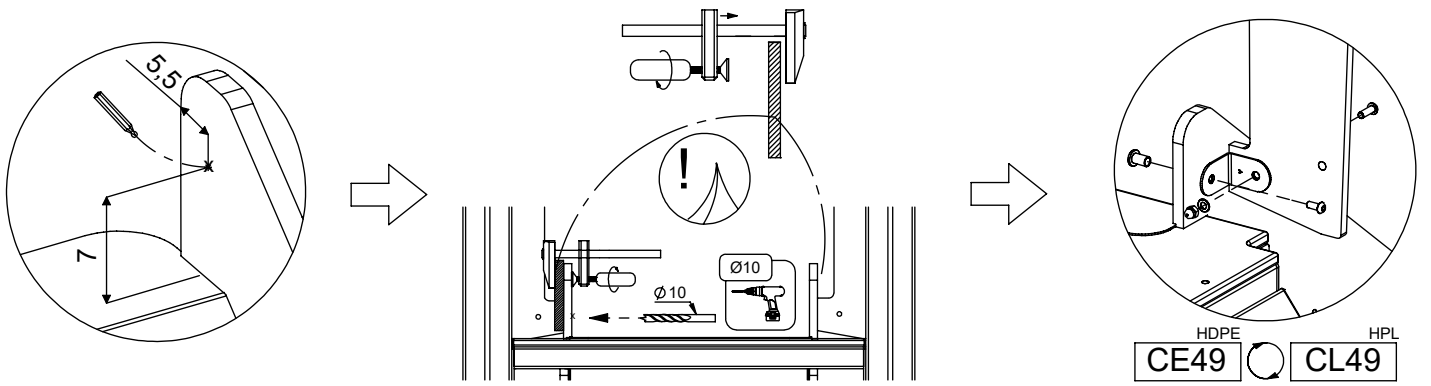
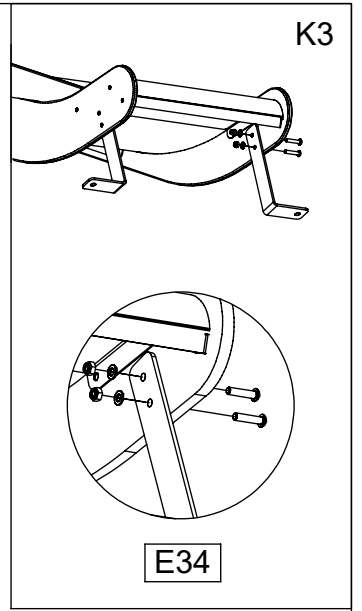
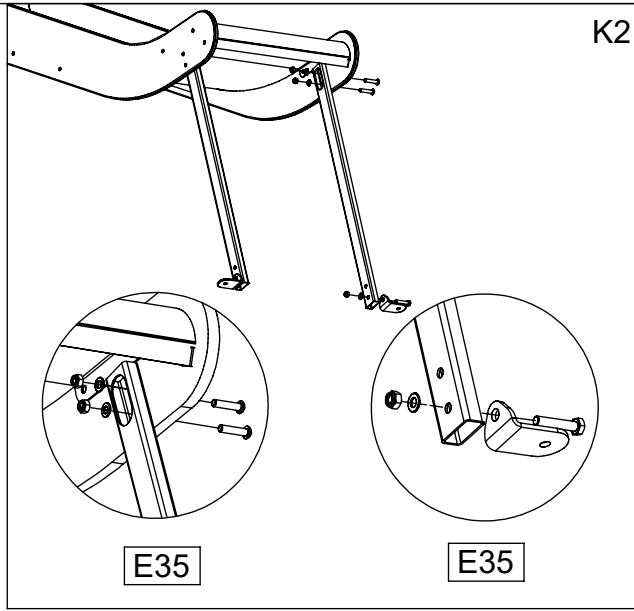
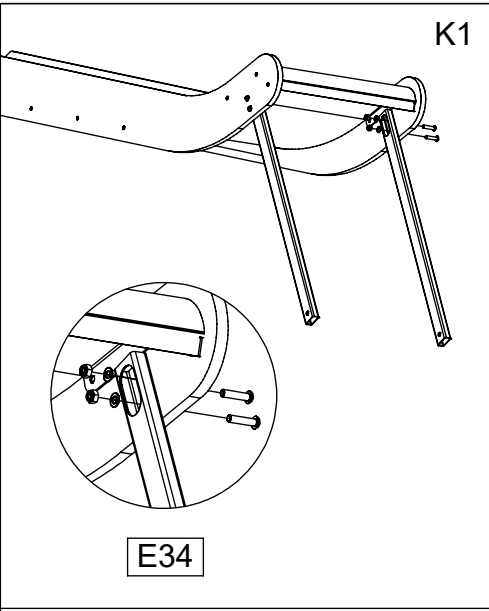


vinci
play

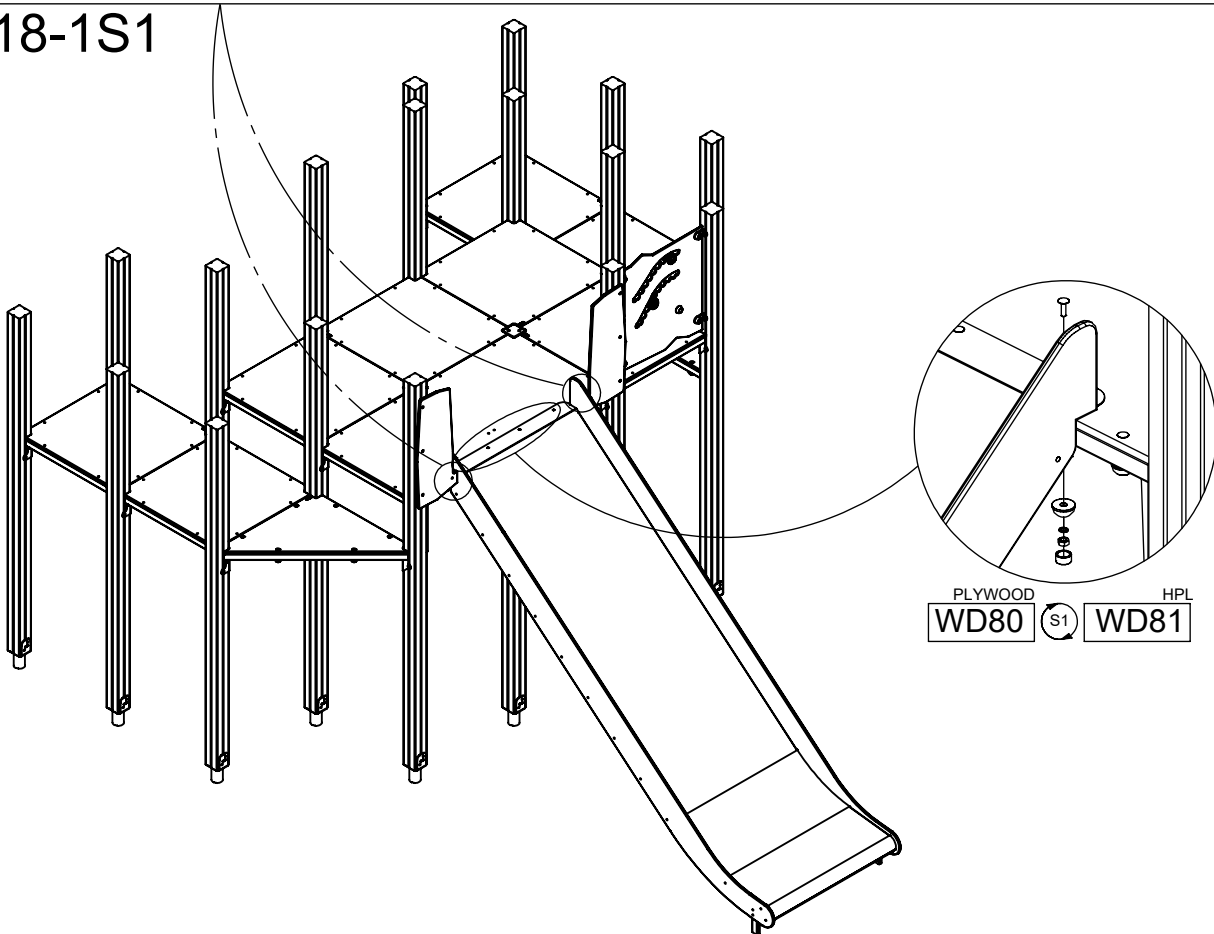
K1

K2

K3



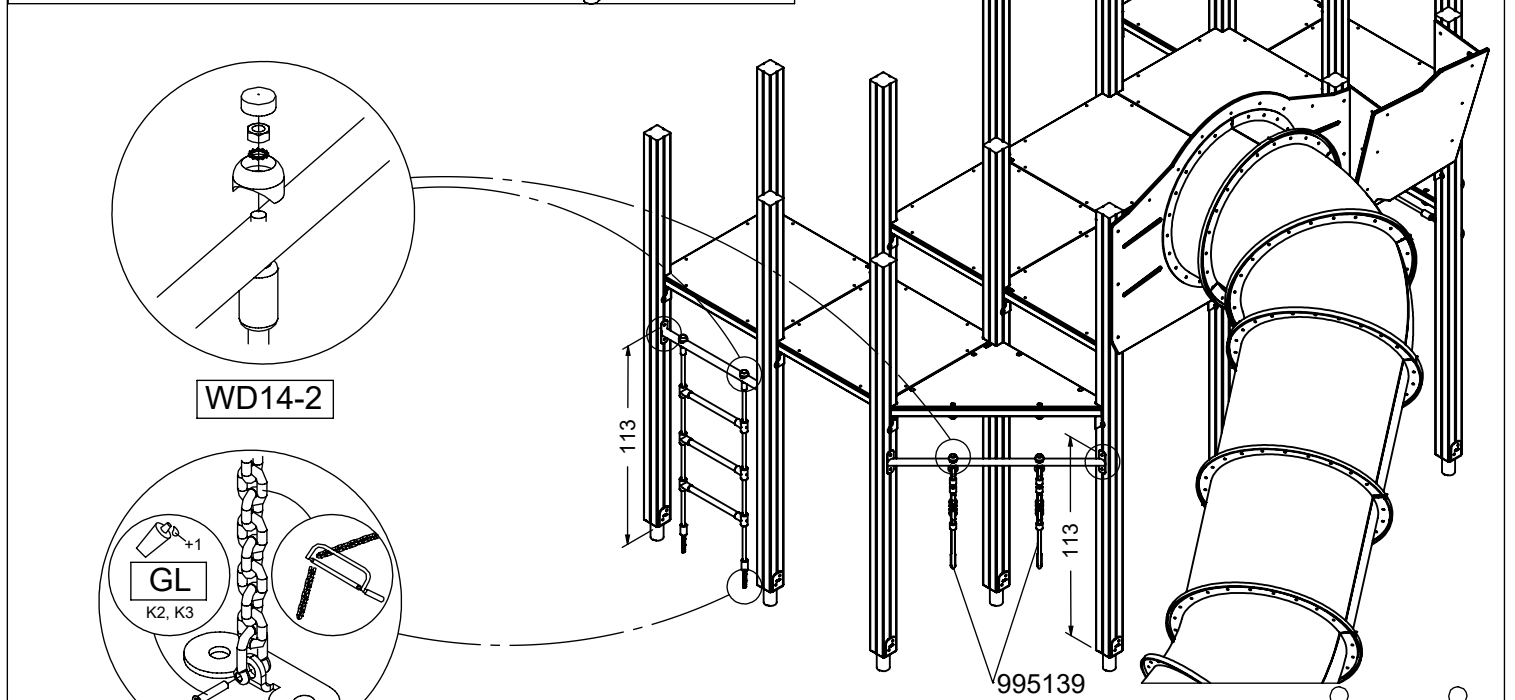
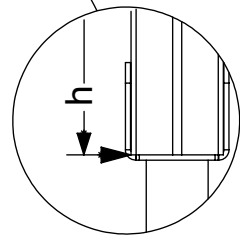
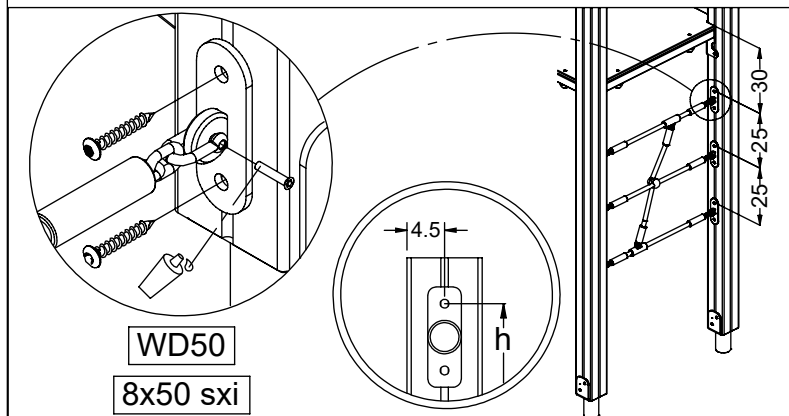
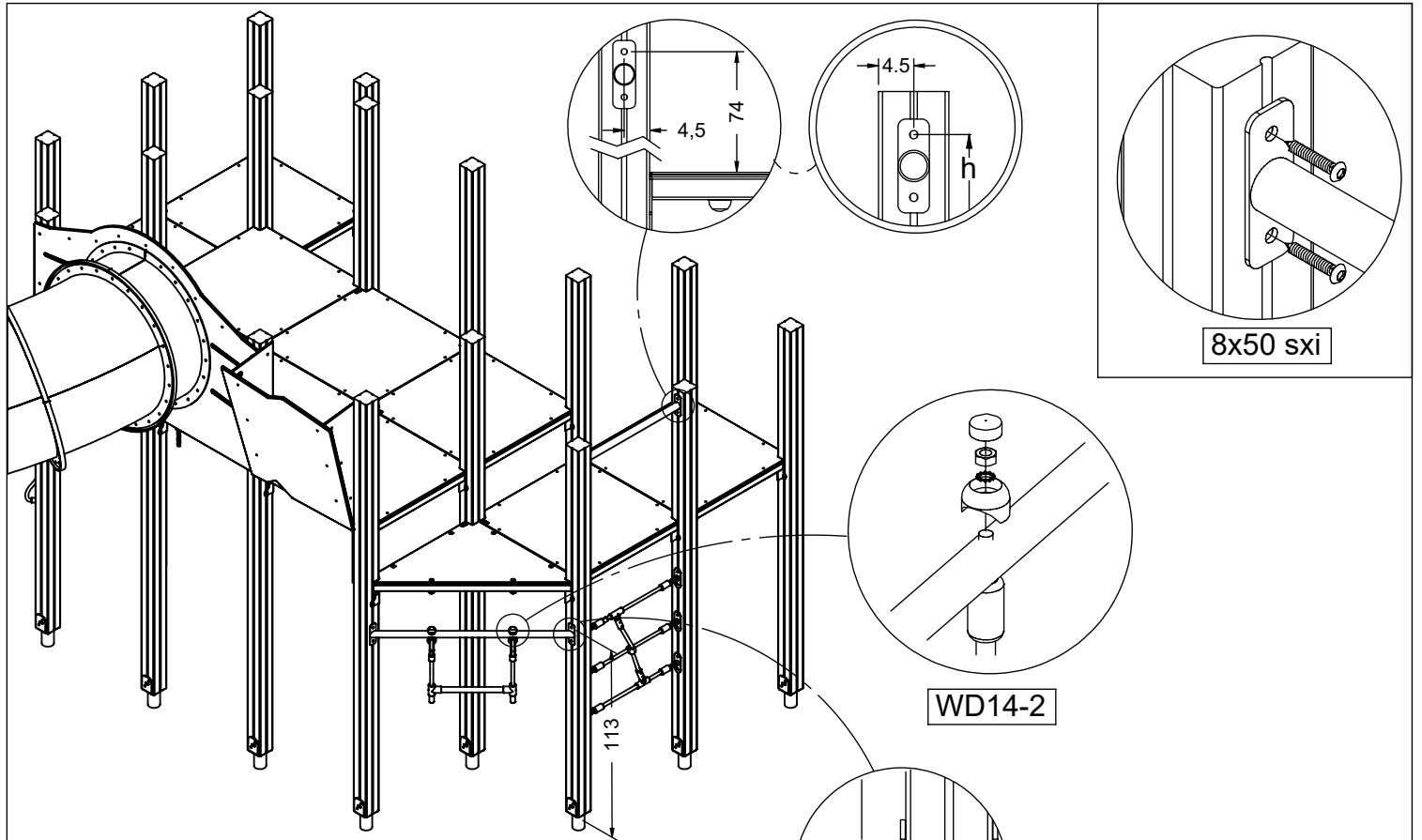
1418-1S1



[cm]



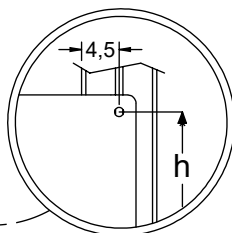
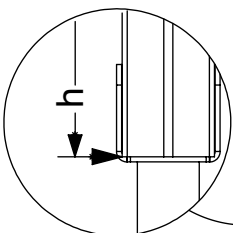
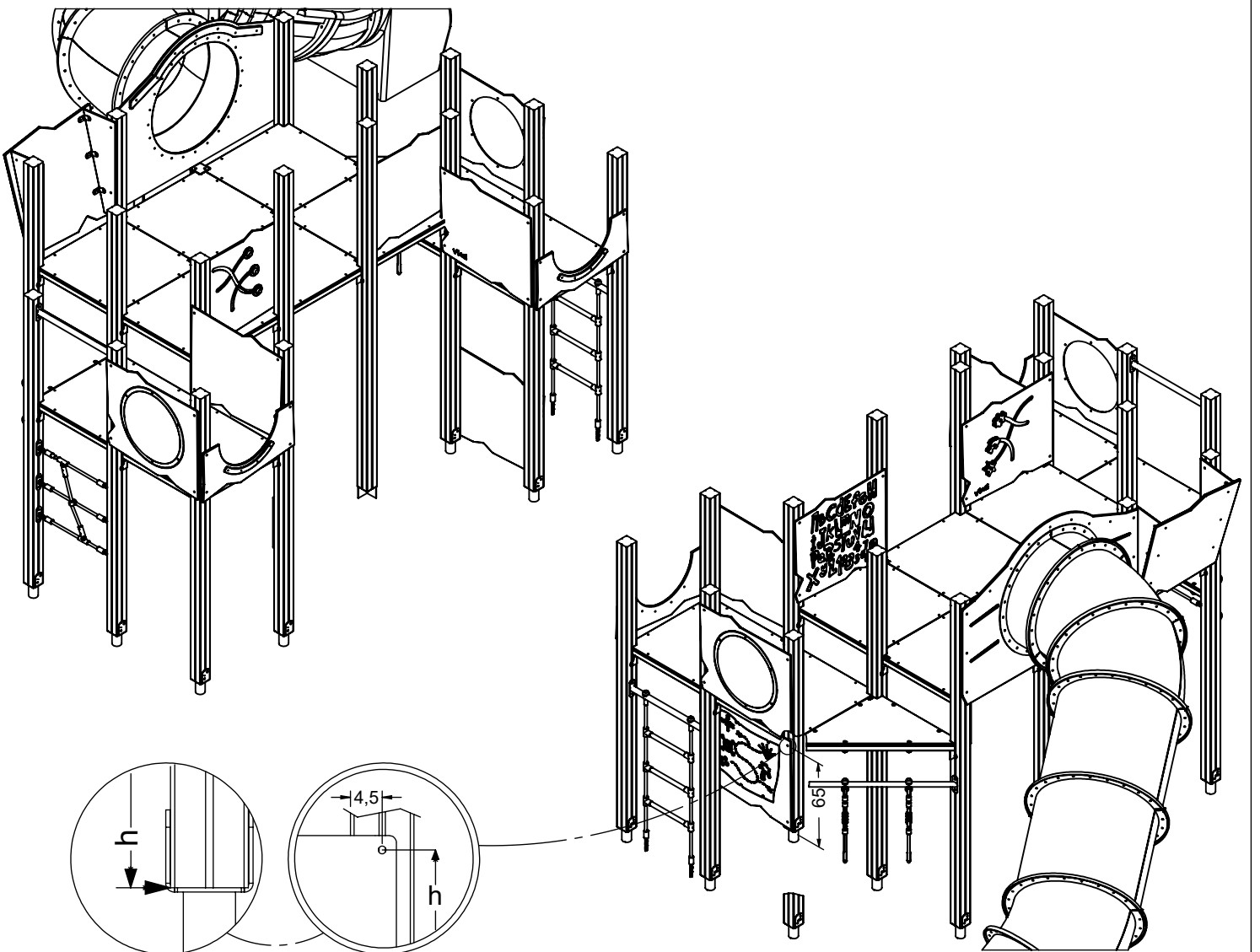
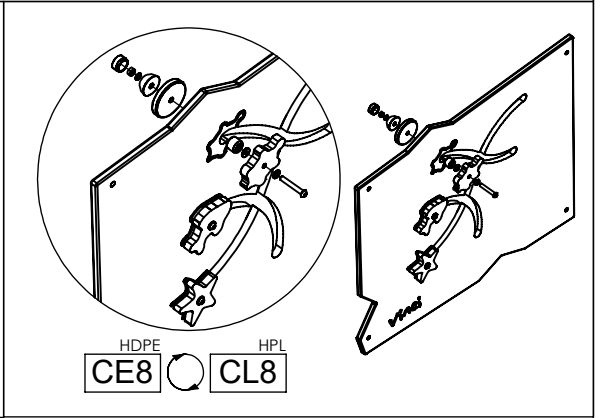
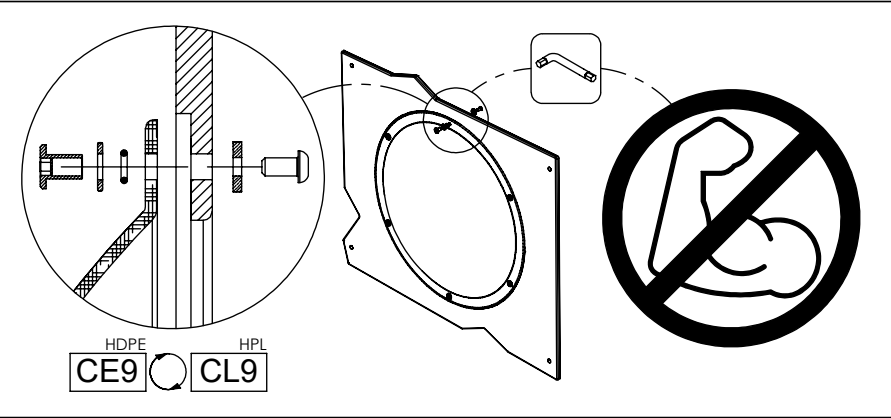
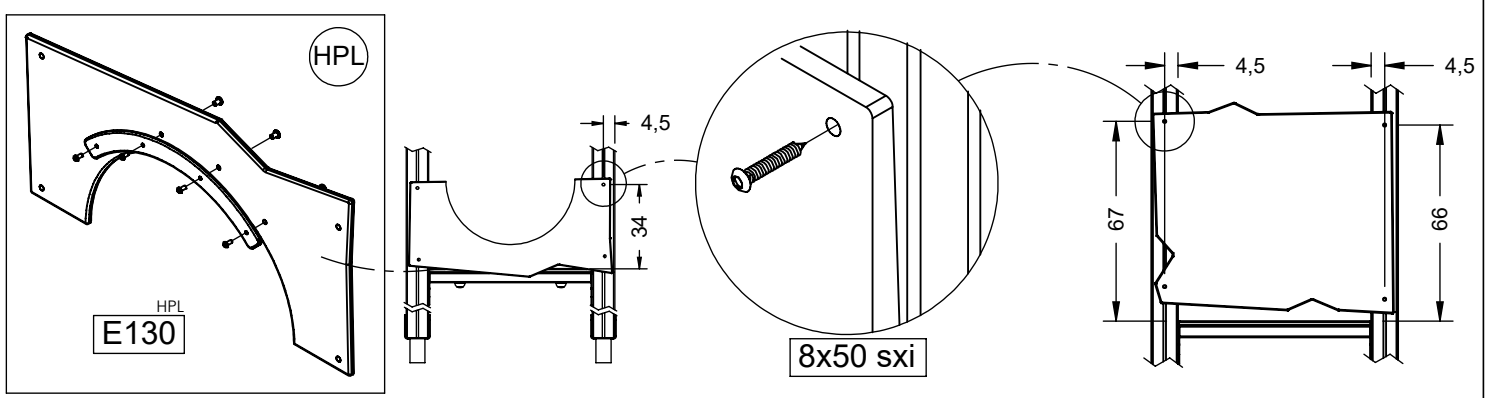
vinci play



[cm]



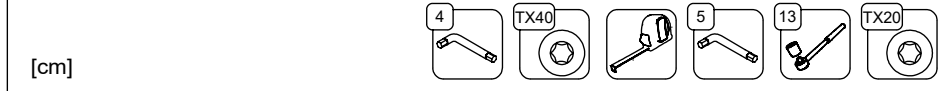
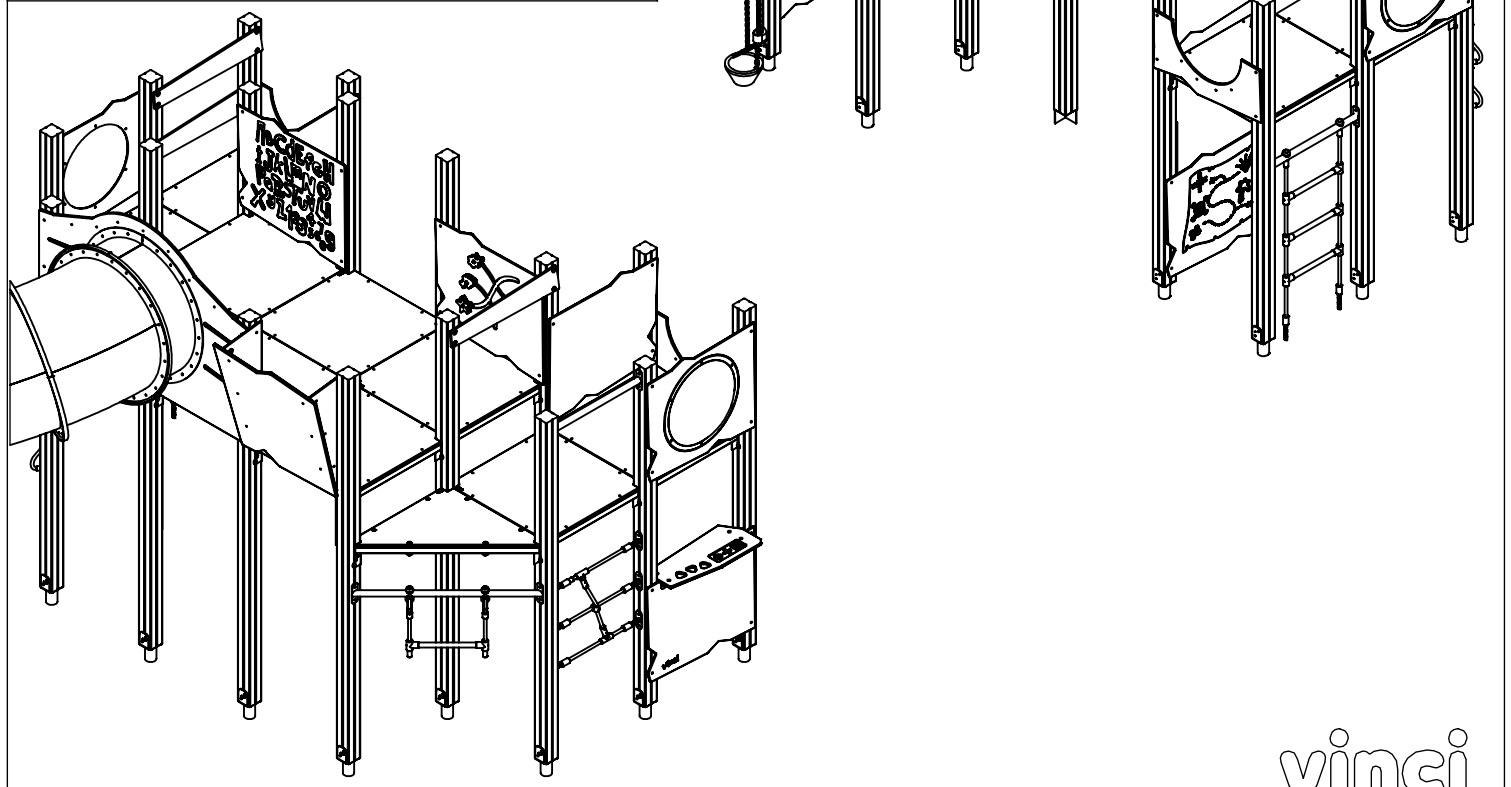
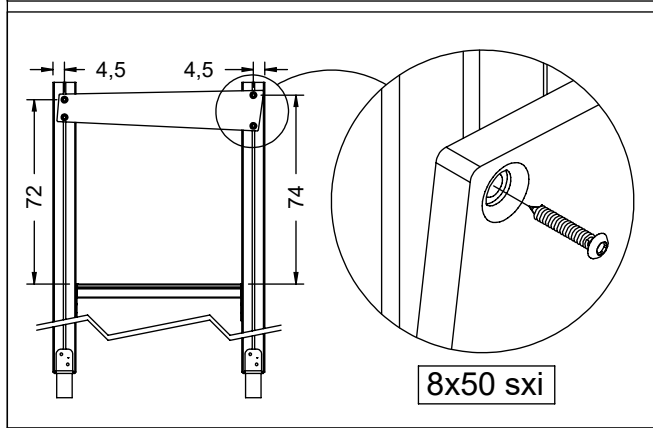
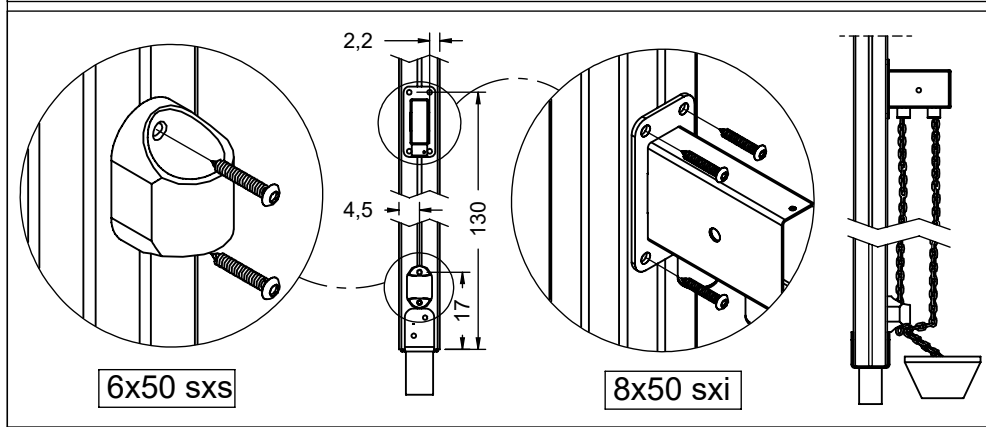
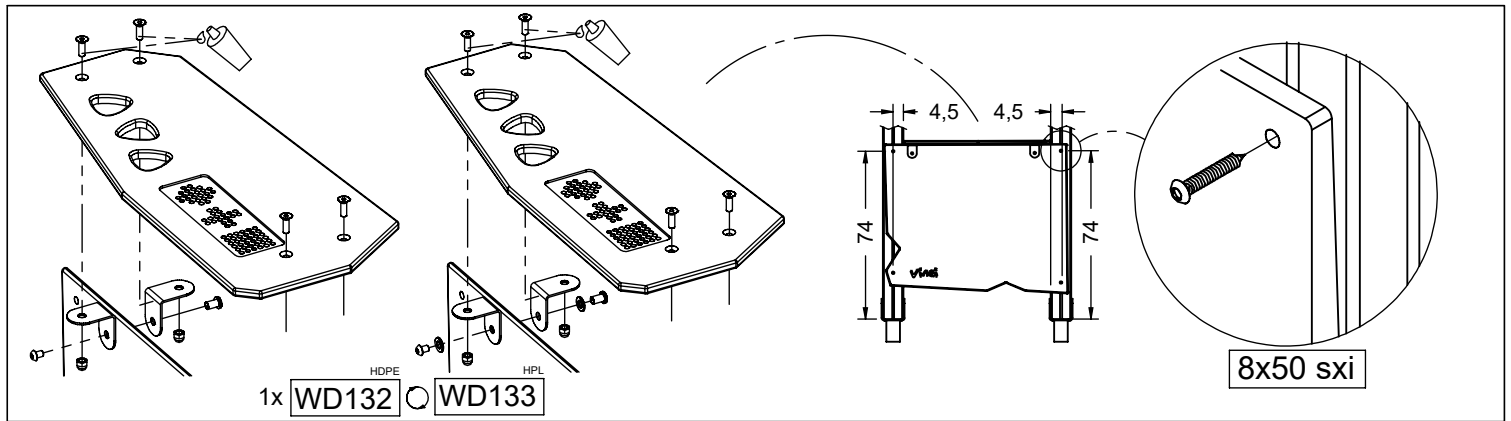
vinci
play



[cm]

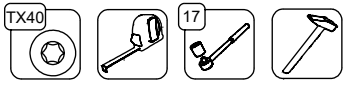
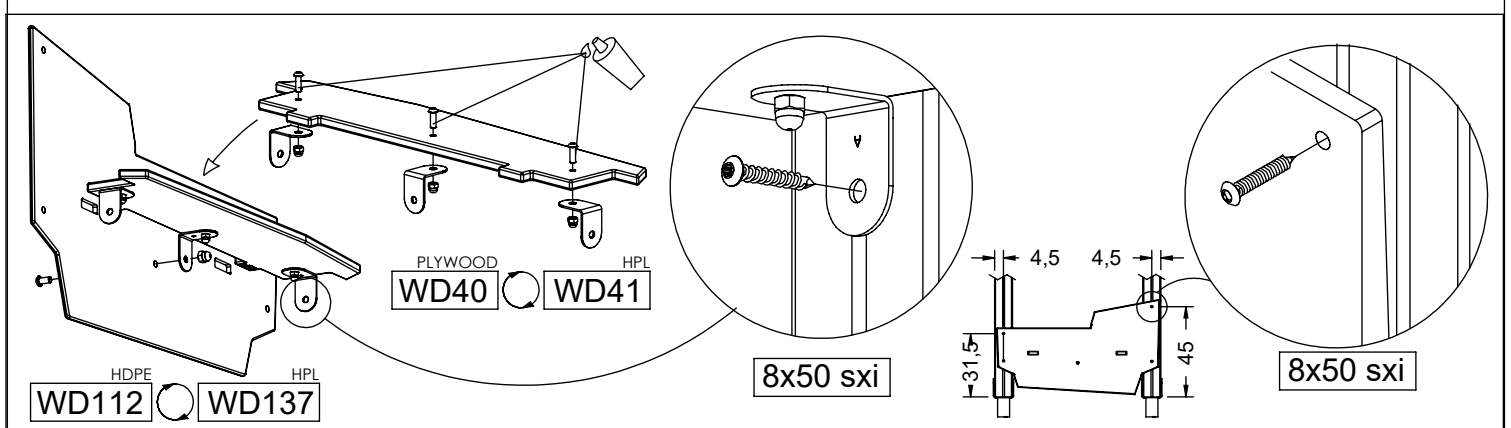
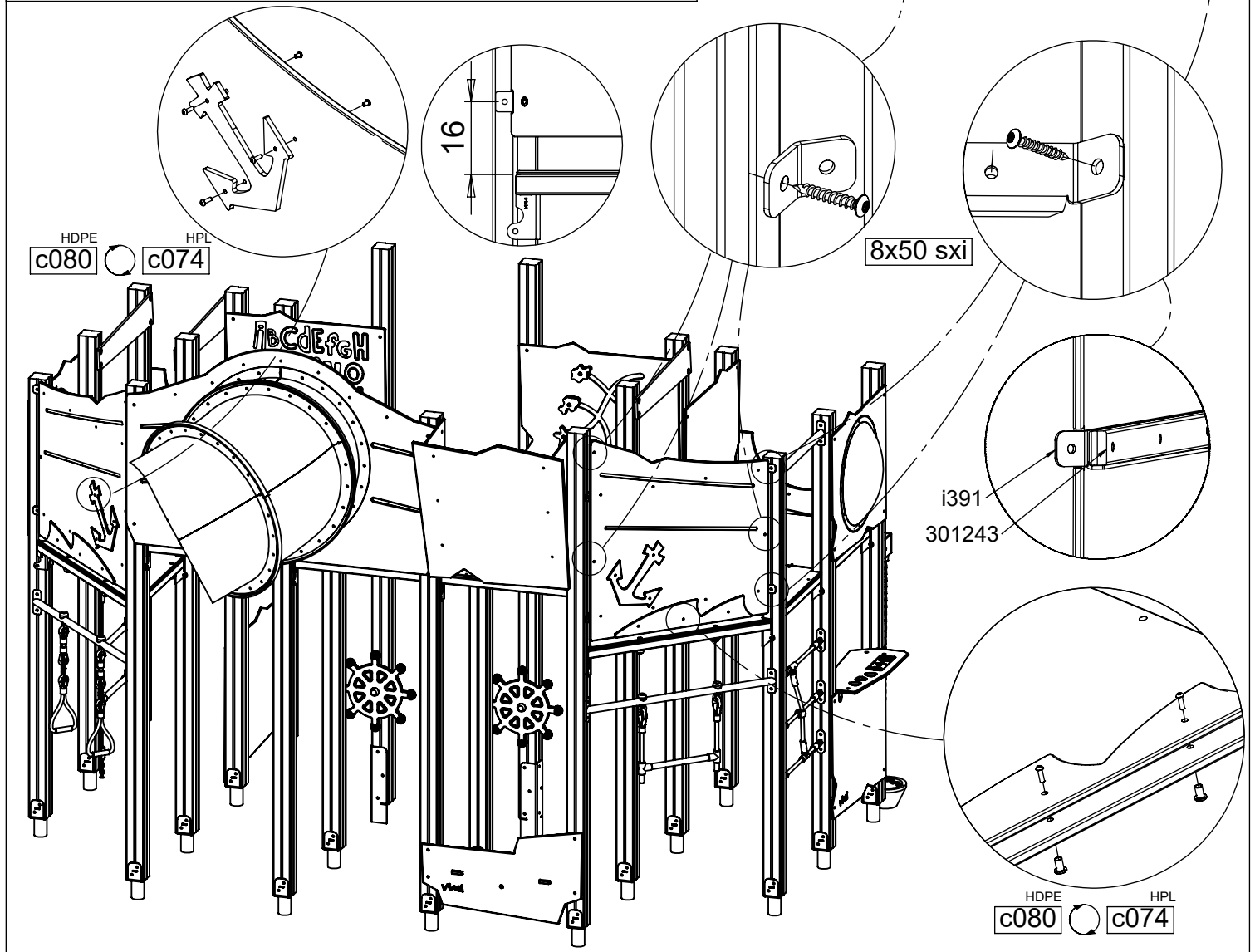
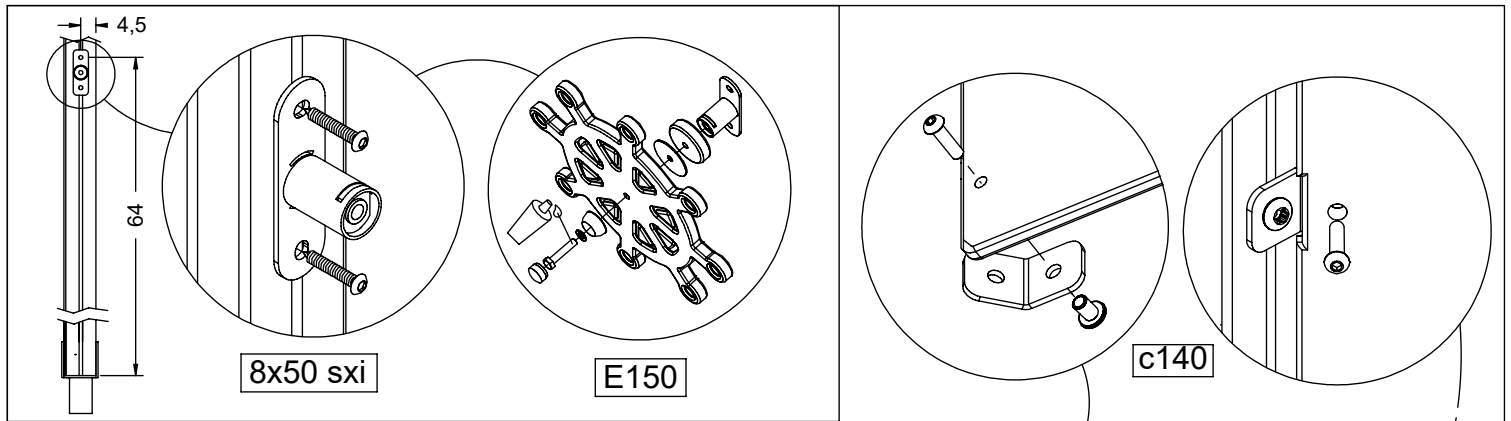
- 4
- TX40
-
- 5
- 13
-
- 17

vinci
play



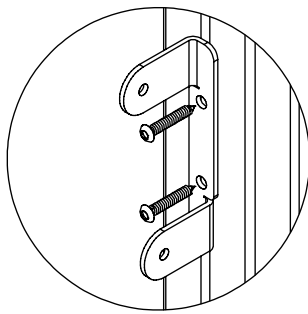
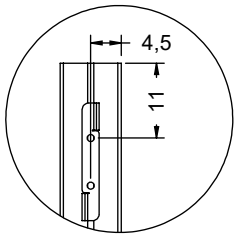
[cm]

vinci play

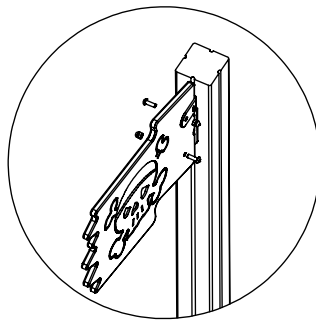


vinci play

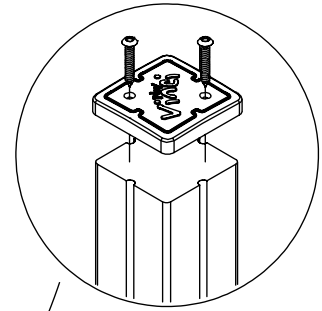
[cm]



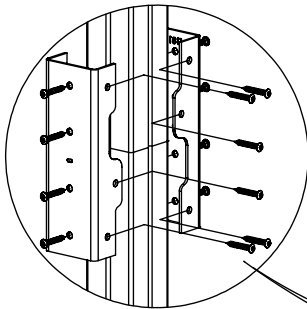
8x50 sxi



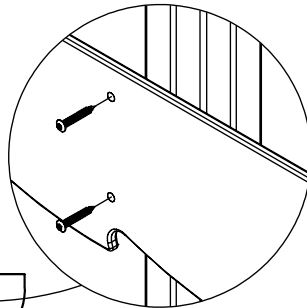
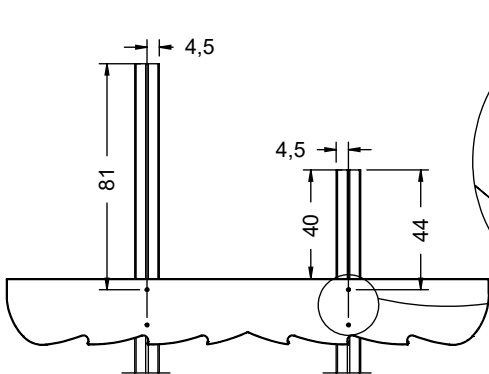
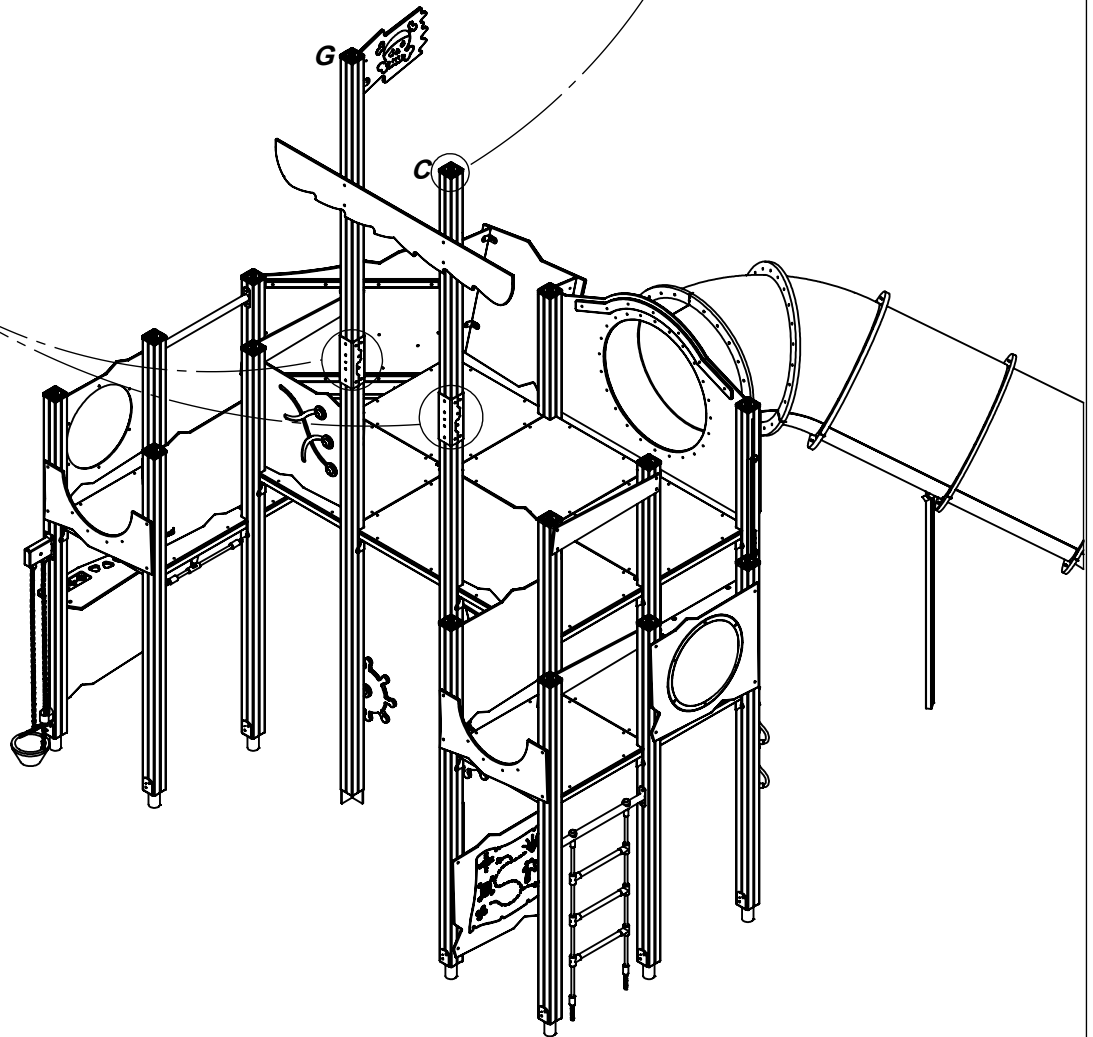
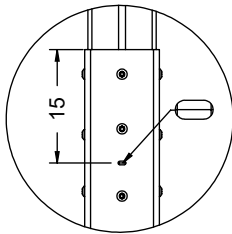
i030 HPL
WD213



WD1



8x50 sxi

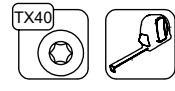
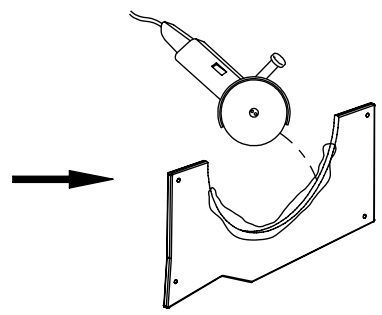
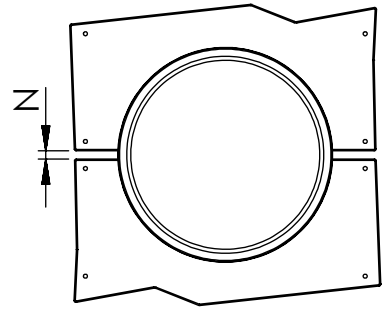
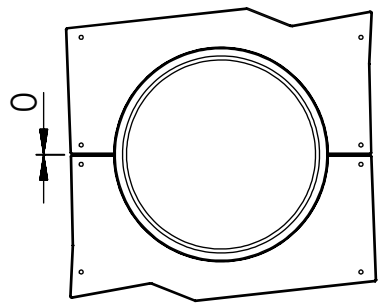
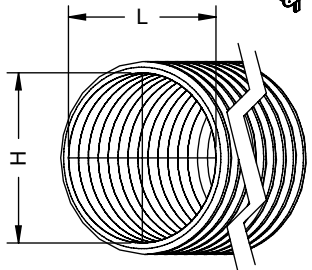
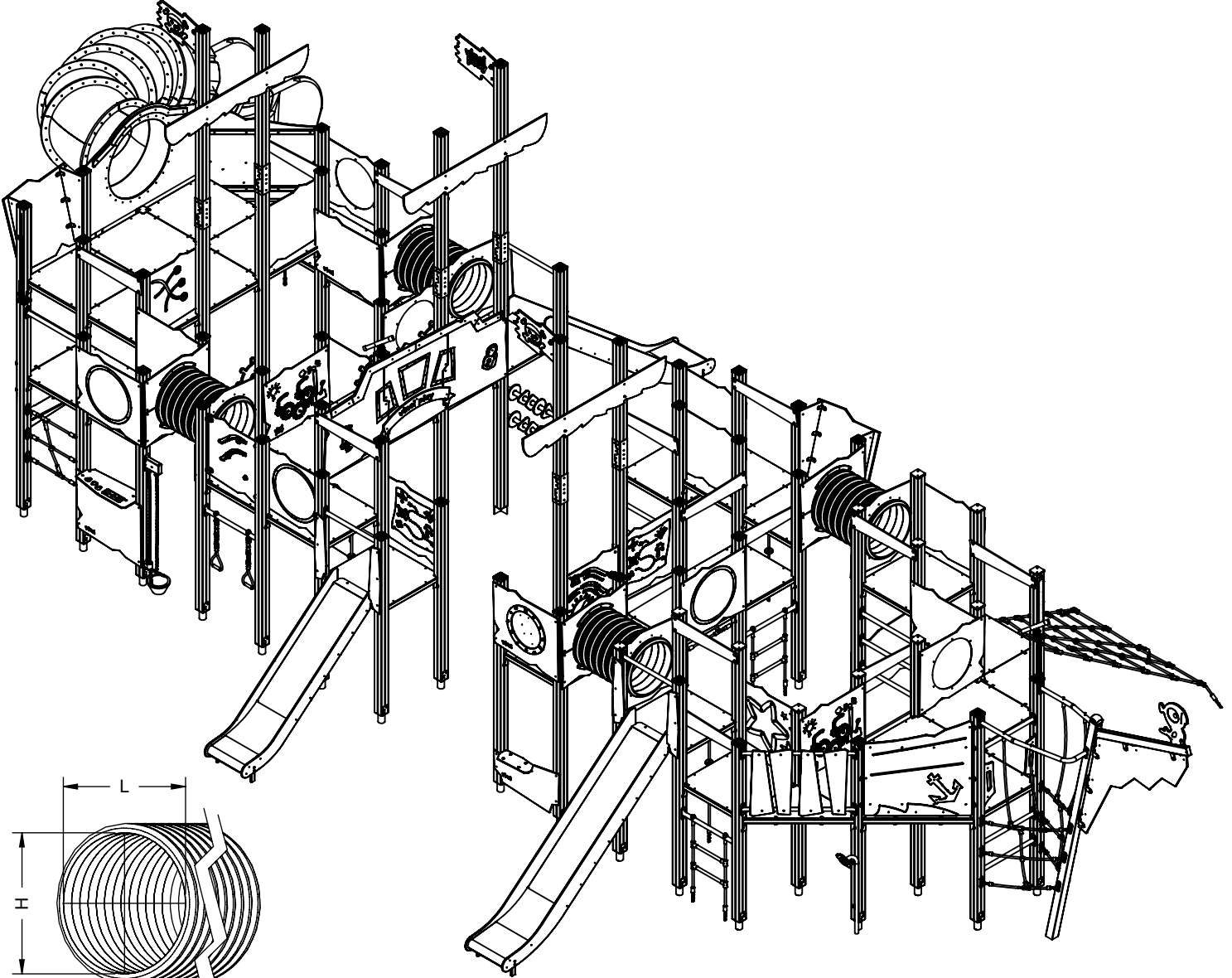
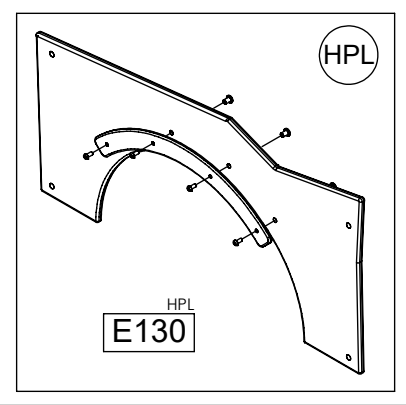
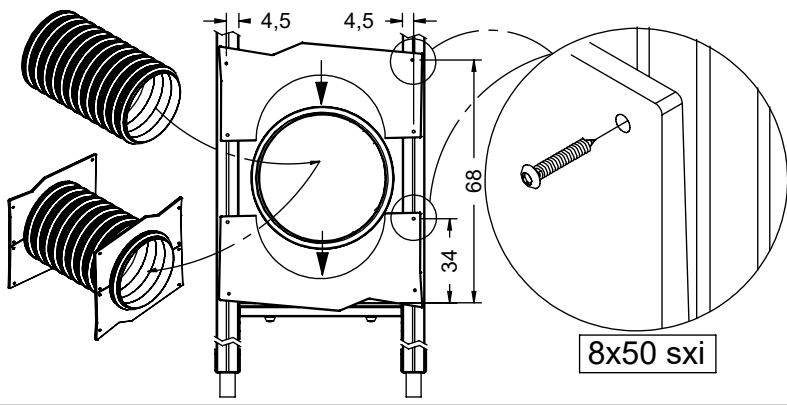


8x50 sxi

[cm]

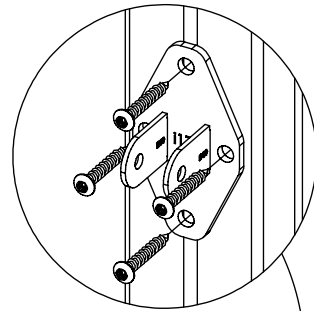
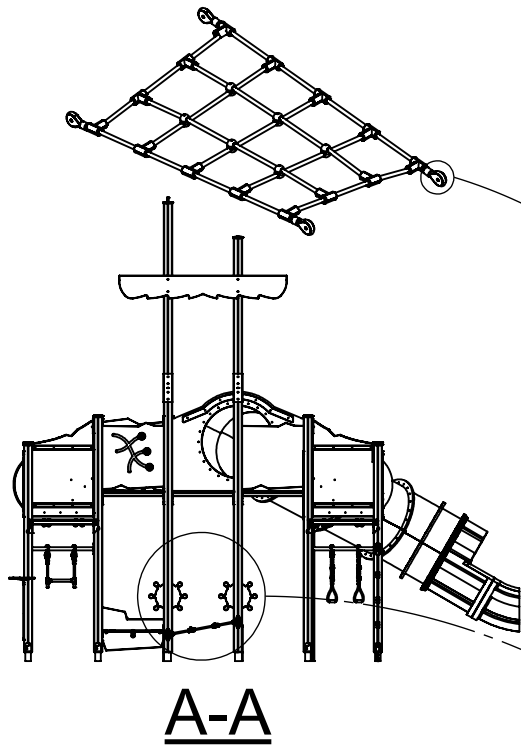


vinci
play

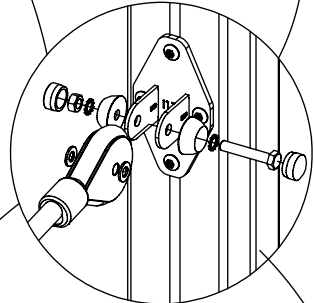


[cm]

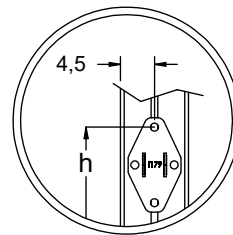
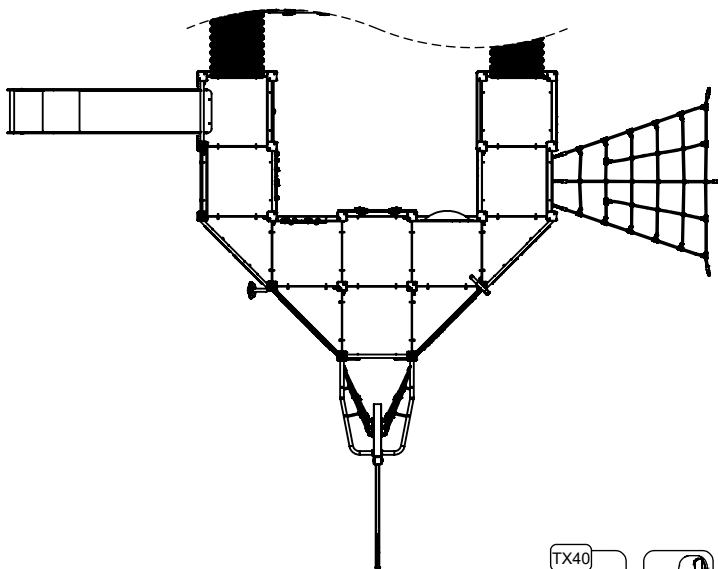
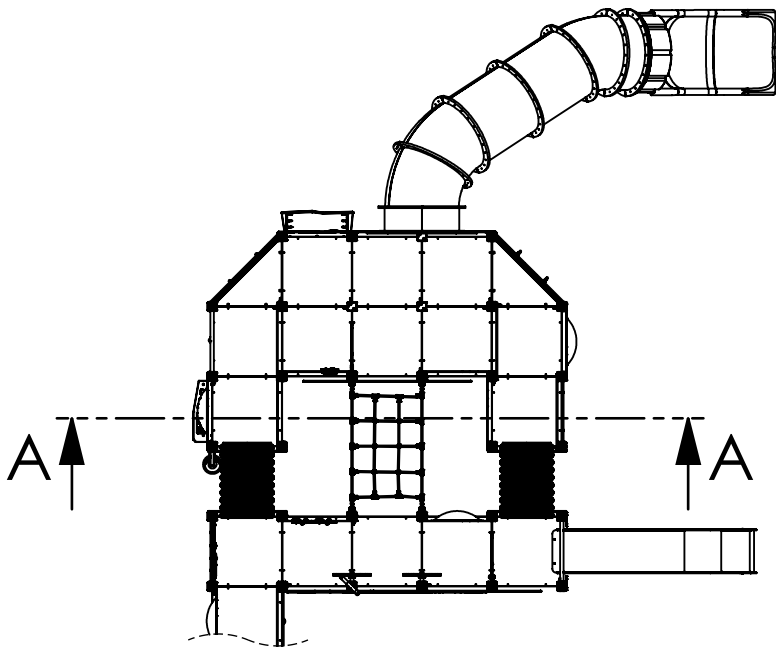
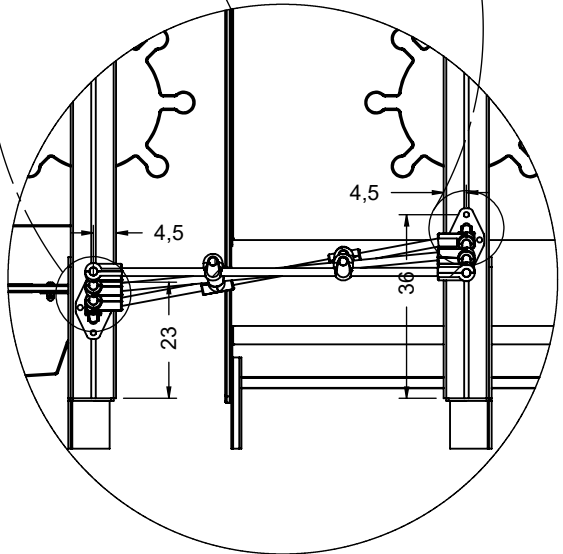
vinci play



8x50 sxi



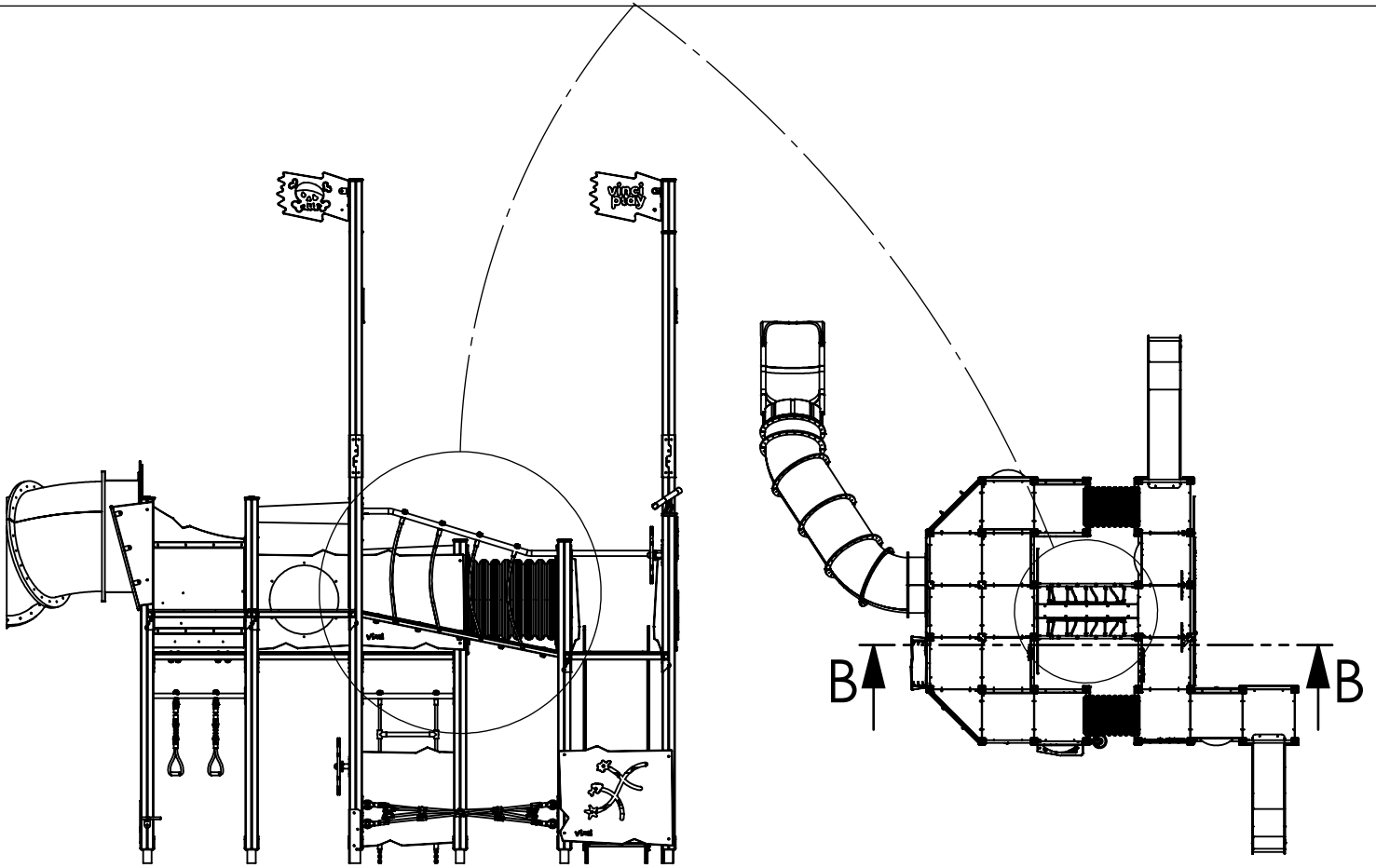
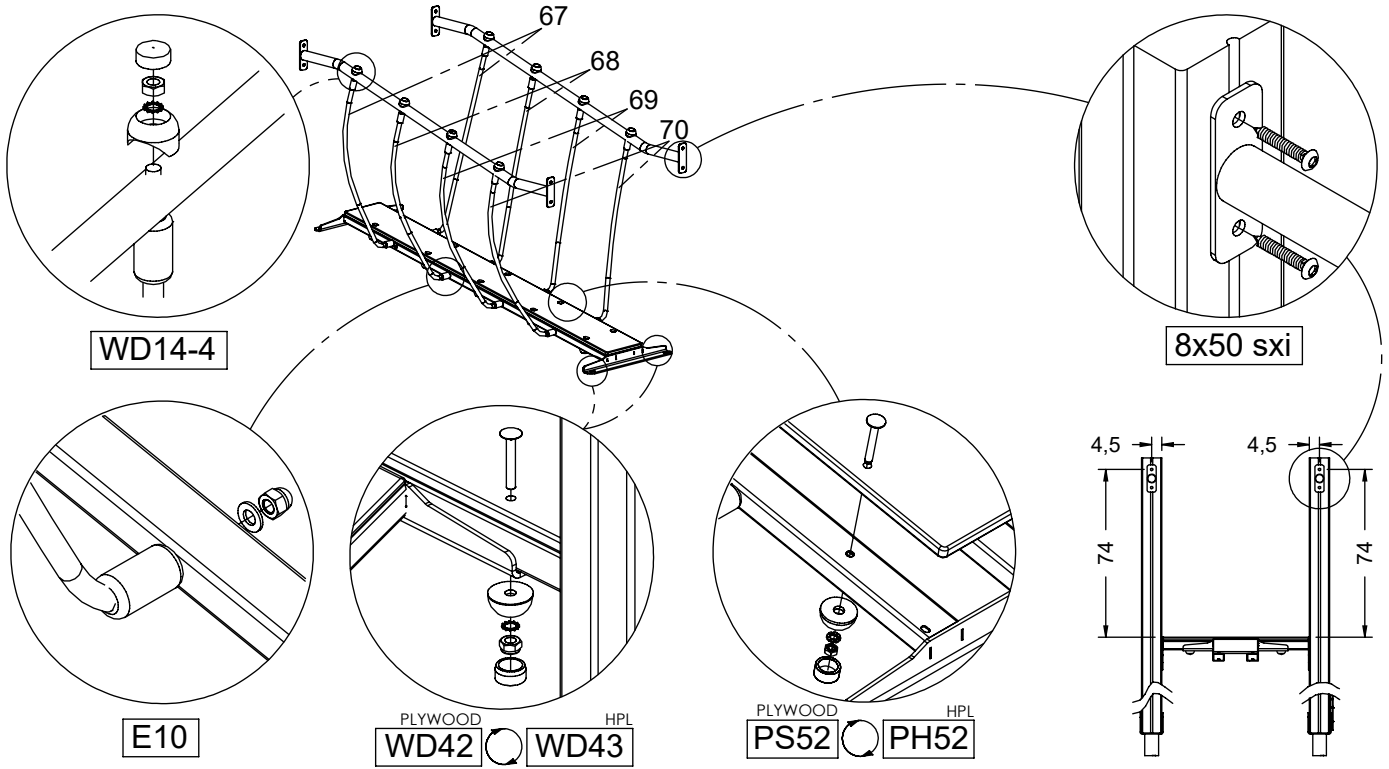
E169



[cm]



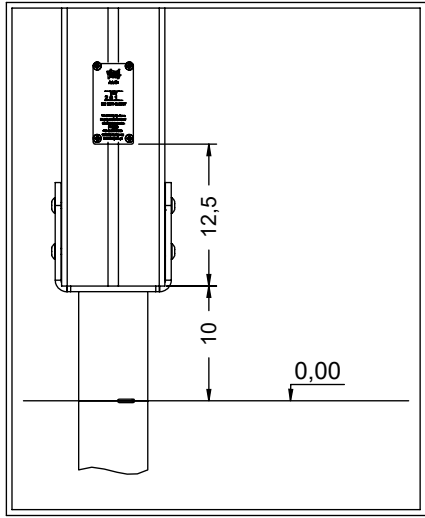
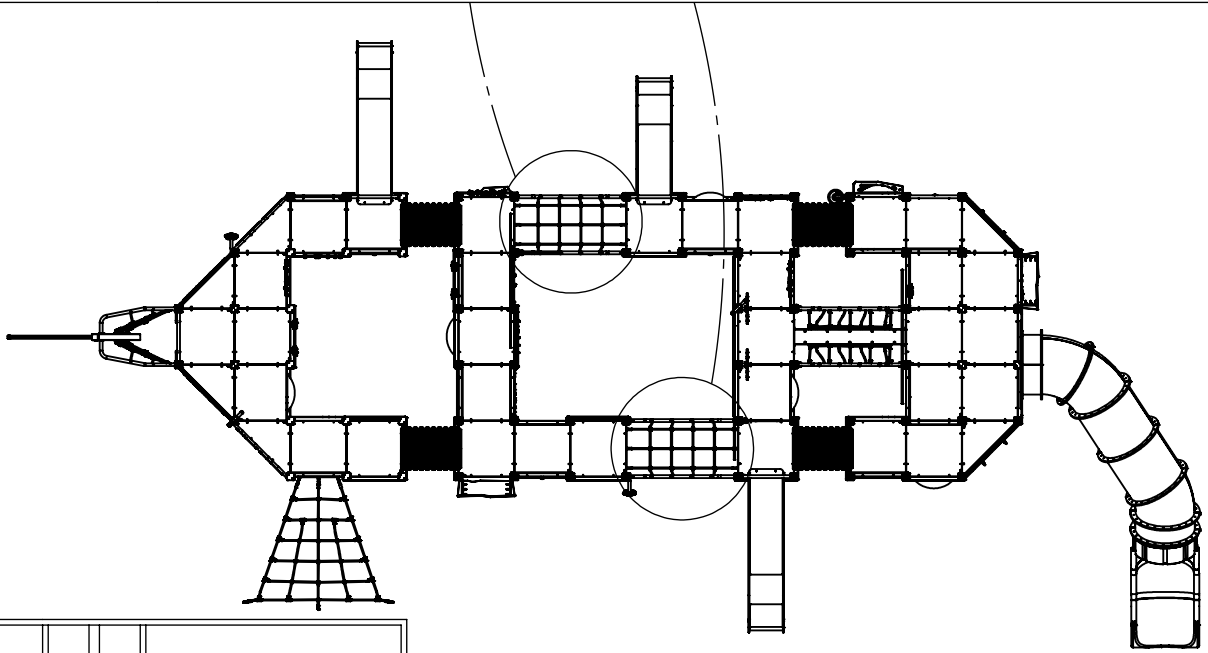
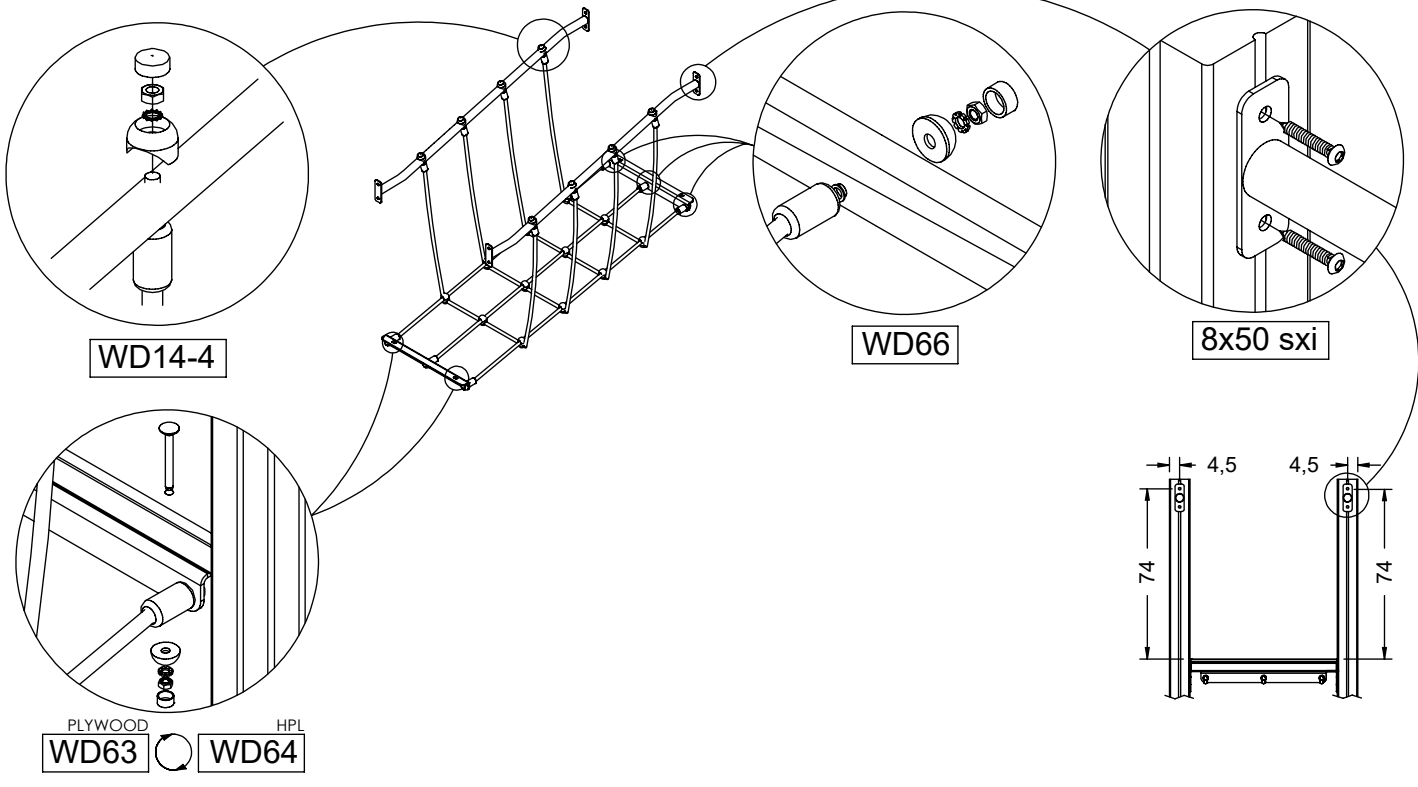
vinci
play



[cm]



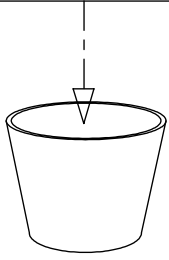
vinci
play



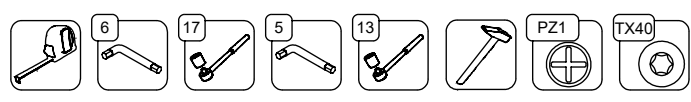
V001

Part No:
000000-
00000

000000-00000



[cm]



vinci
play