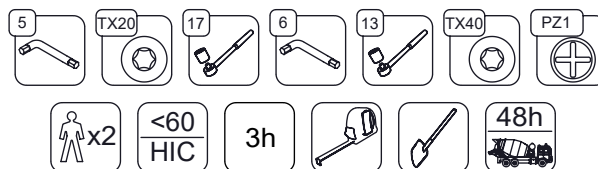
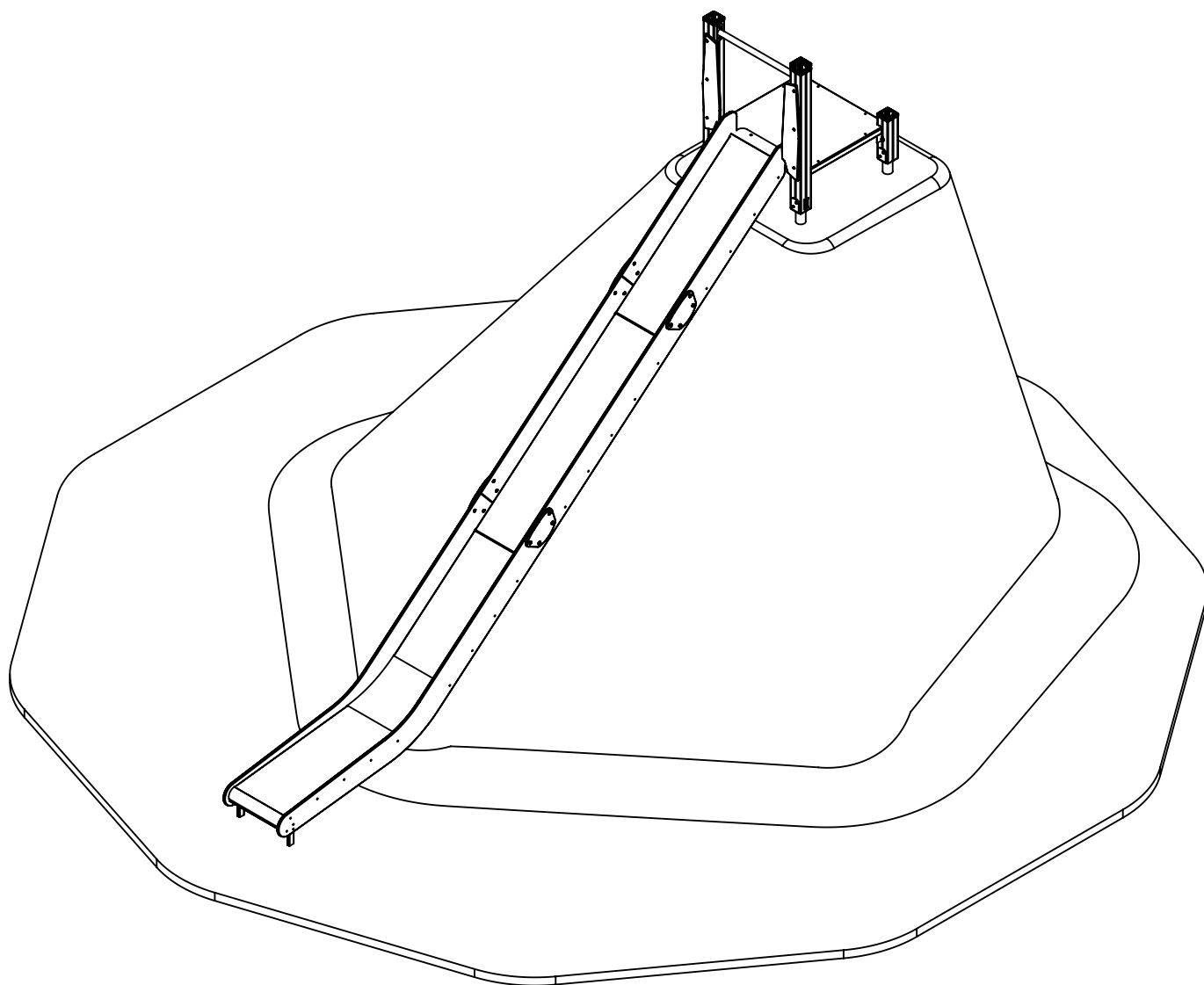


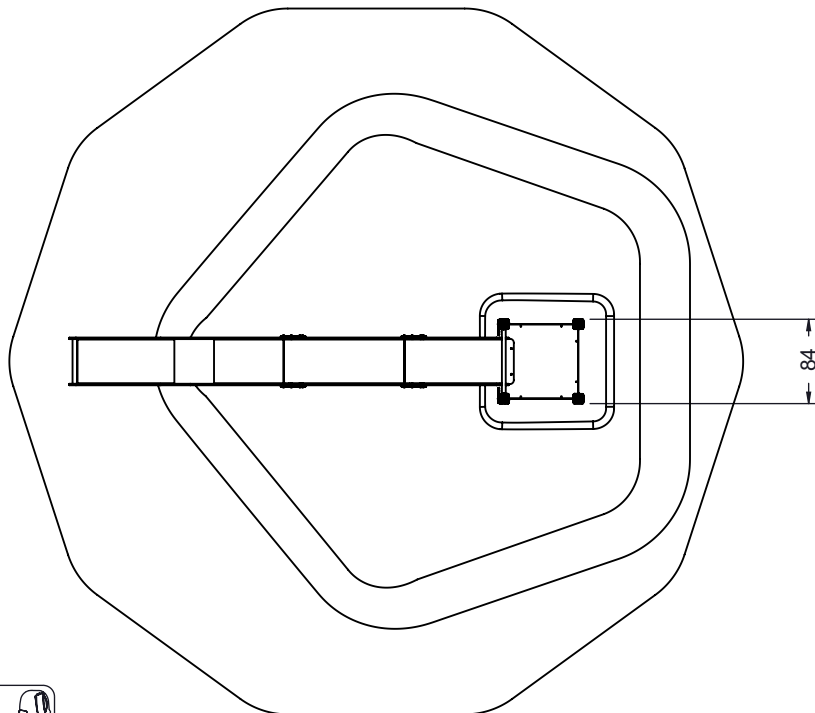
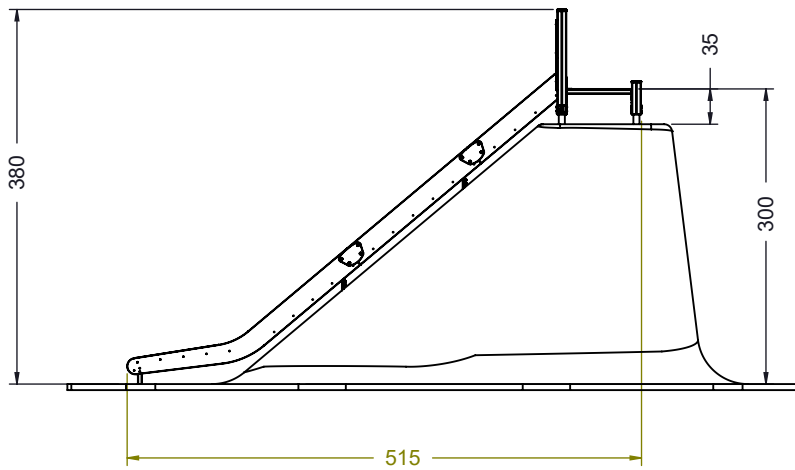
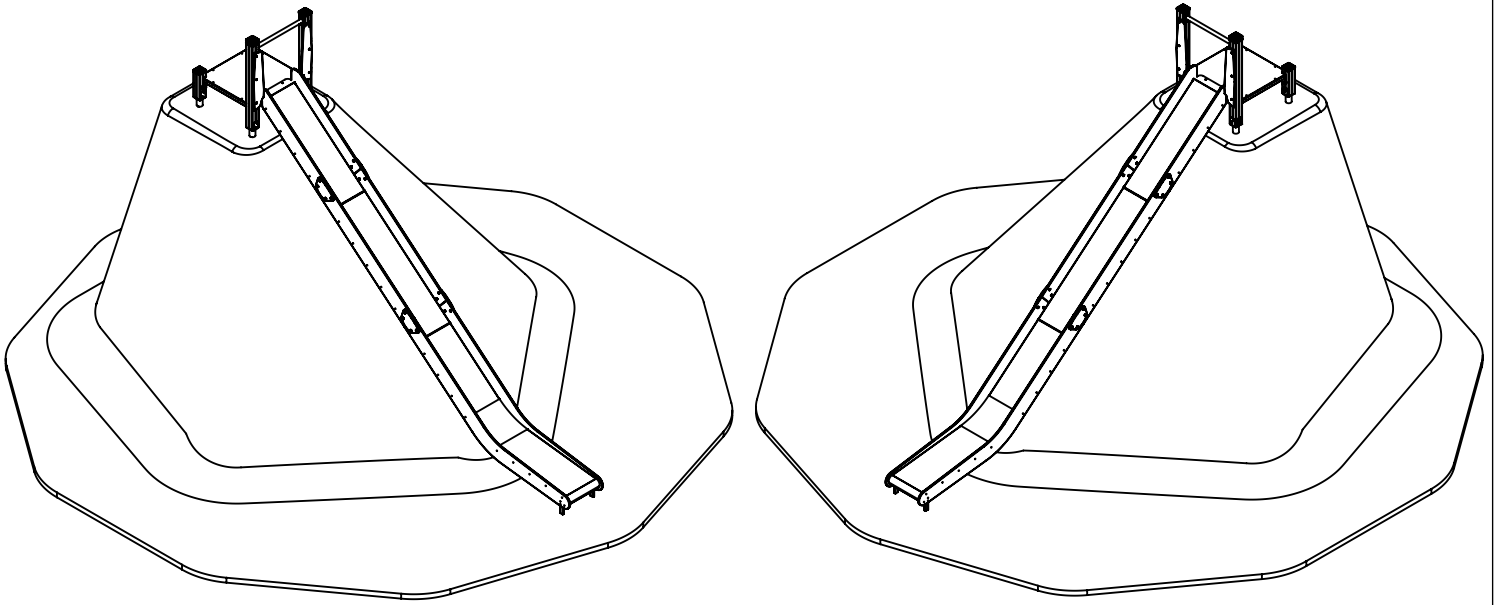
WD1446-1448



v014
11.05.2021
A. H.
[cm]

vinci
play

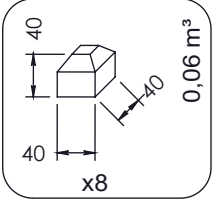
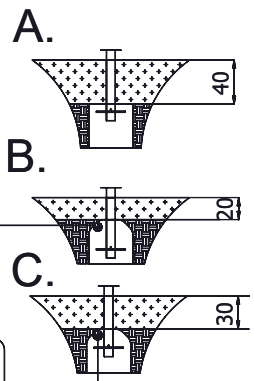
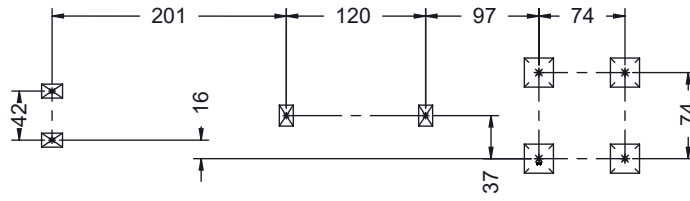
WD1446



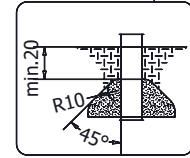
[cm]

vinci
play

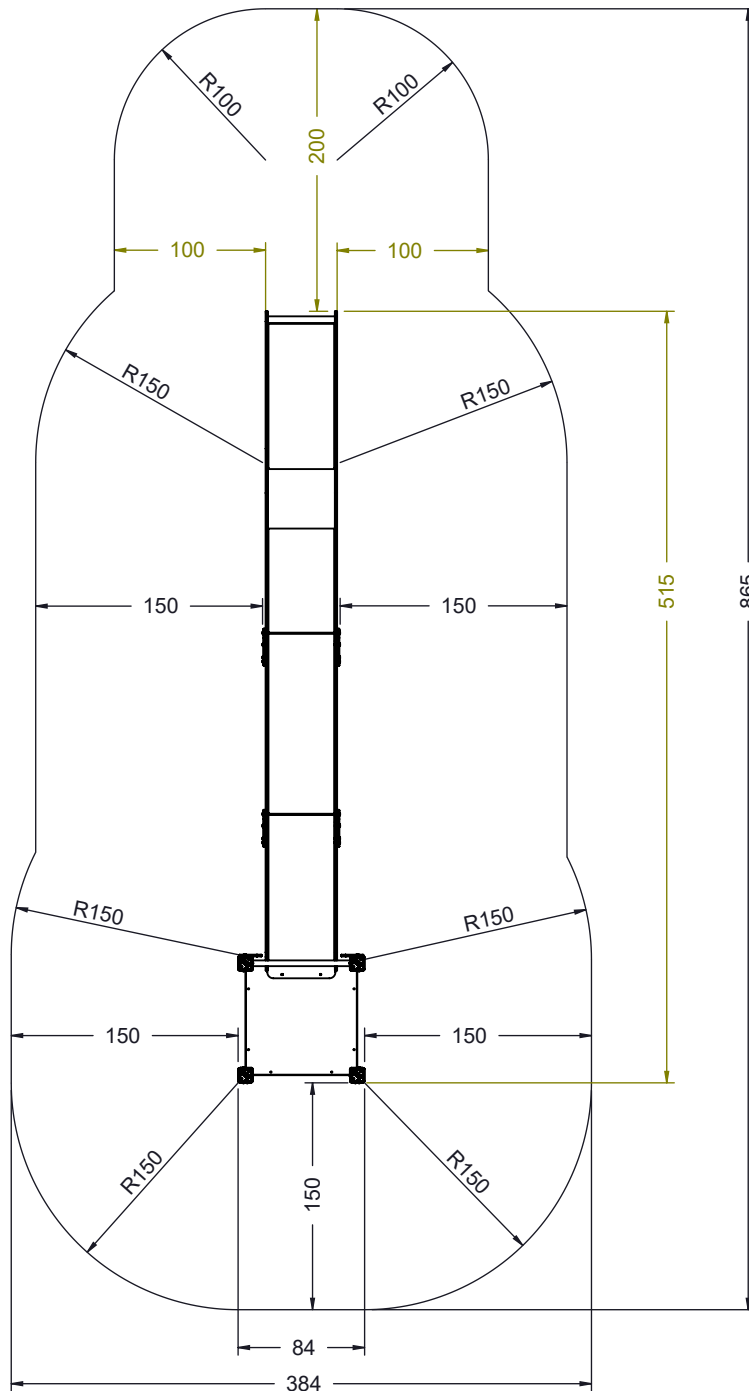
WD1446



K2, K3
M10x120
x18
NOT INCLUDED



x2 3h 0,06 m³ x8 48h <60 HIC

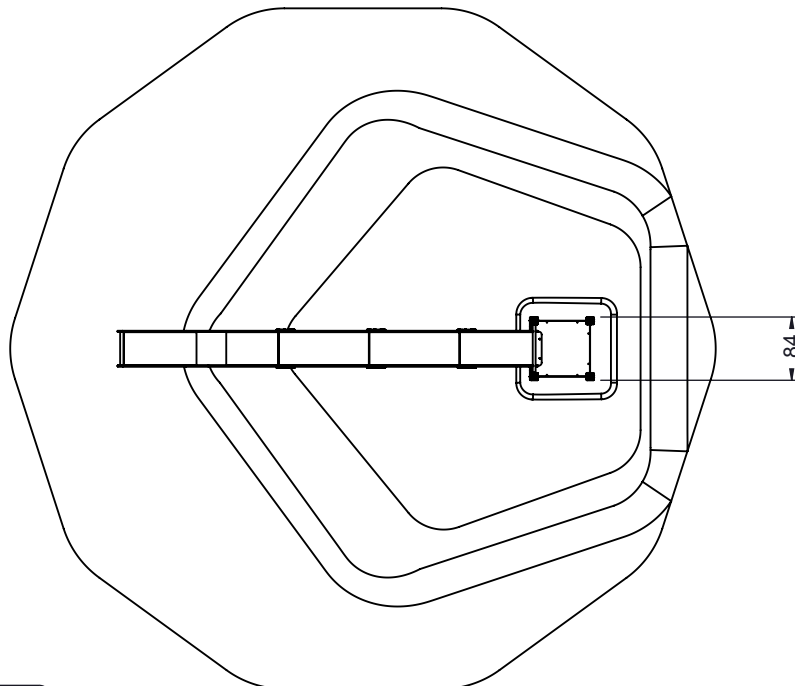
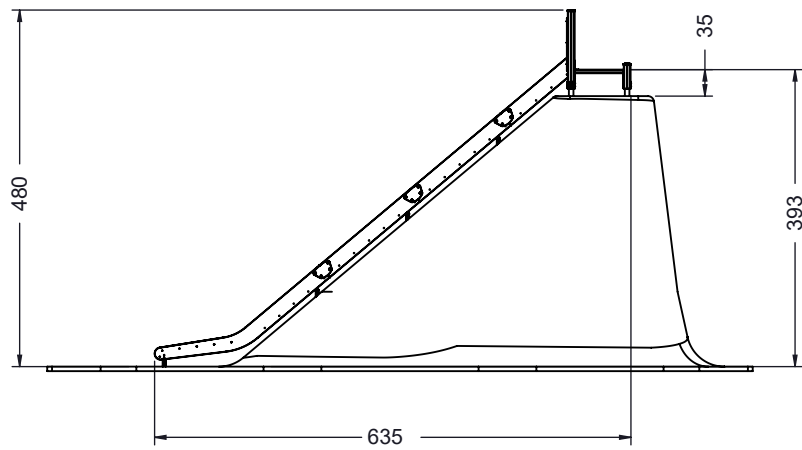
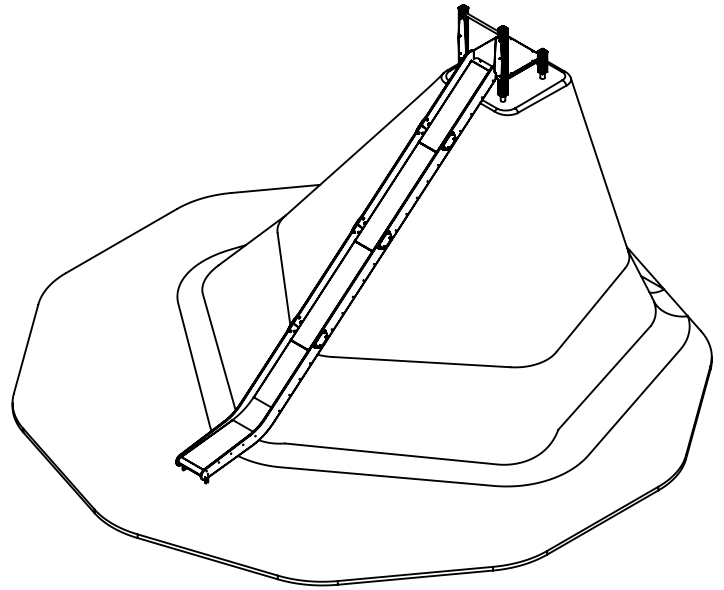
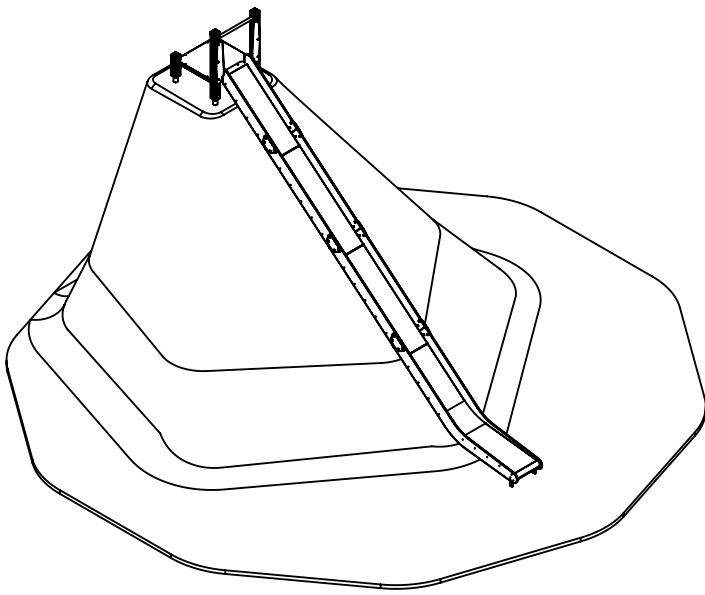


[cm]



vinci
play

WD1447

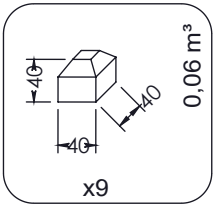
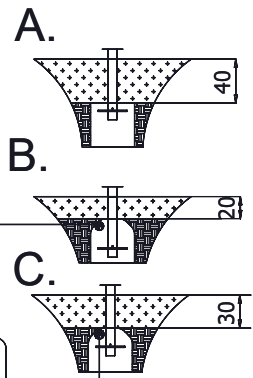
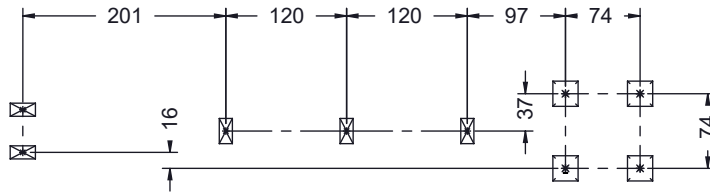


[cm]



vinci
play

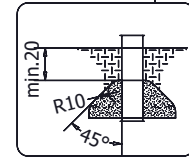
WD1447



K2, K3

M10x120
x18

NOT INCLUDED



x2

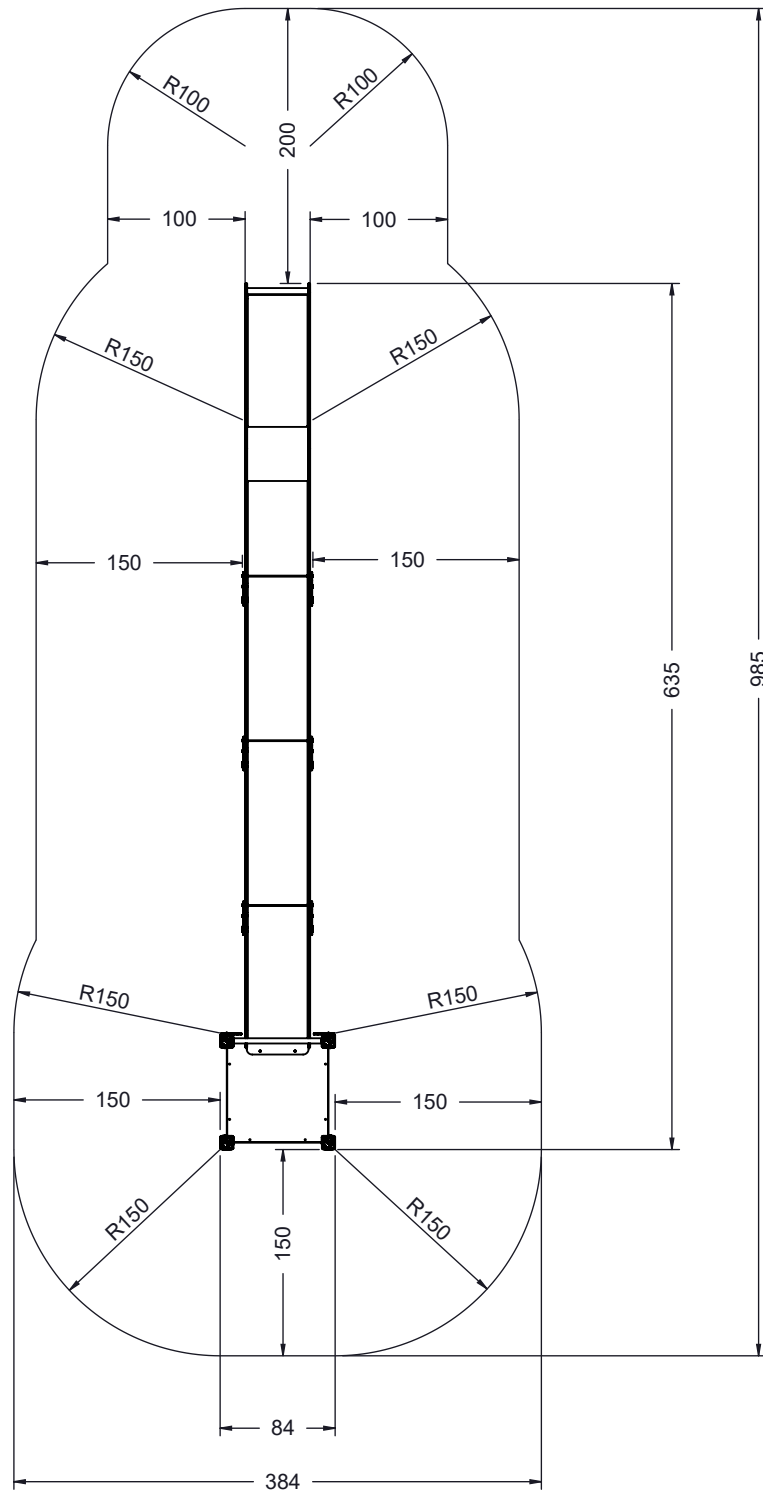
3,5h

x9

0,06 m³

48h

<60 HIC

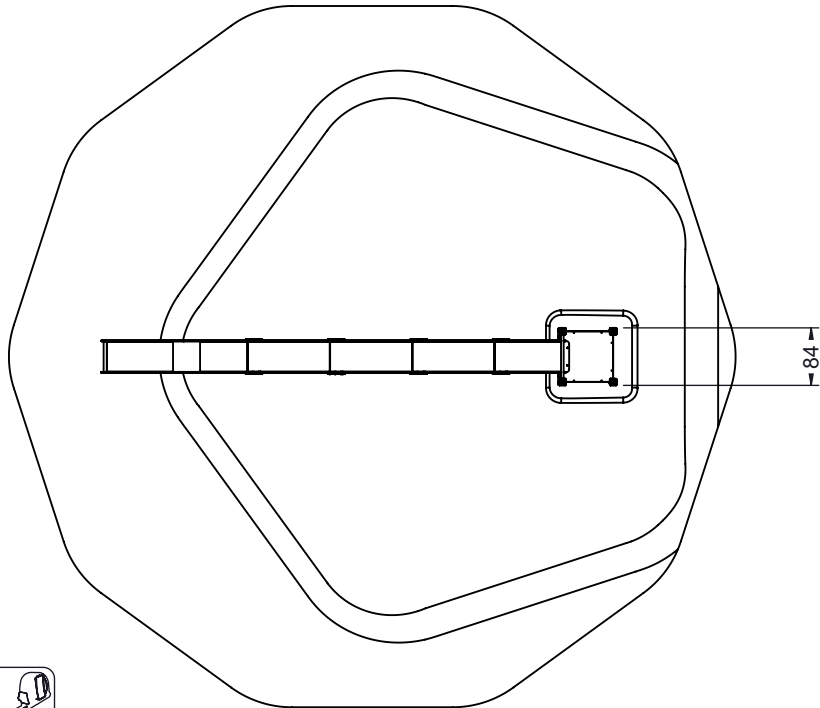
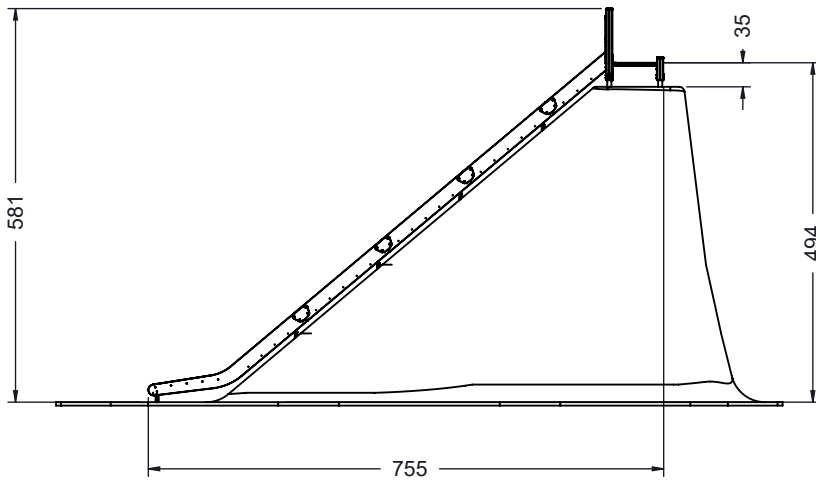
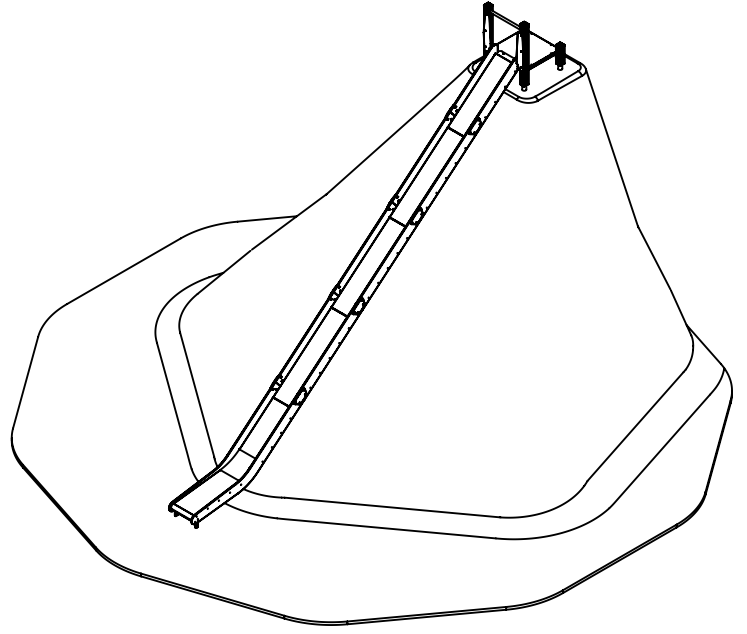
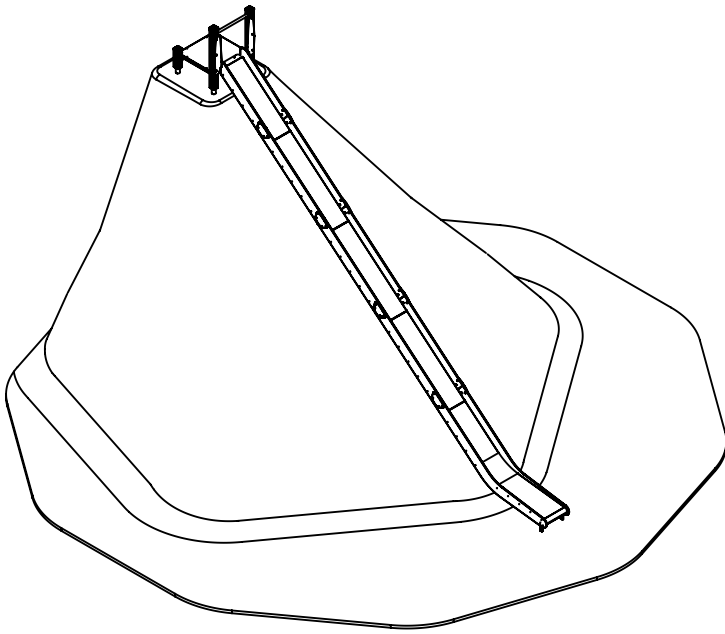


[cm]



vinci
play

WD1448

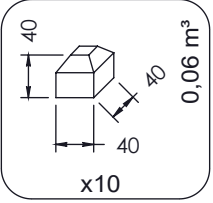
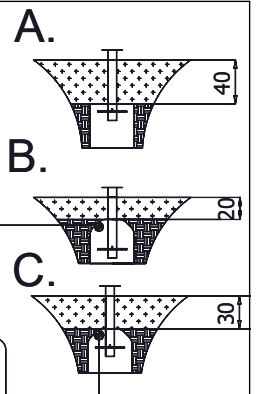
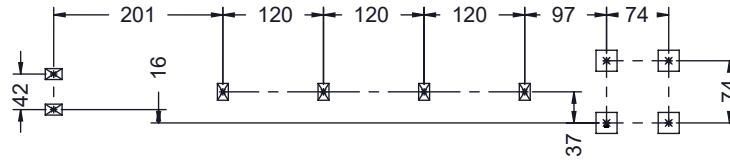


[cm]



vinci
play

WD1448

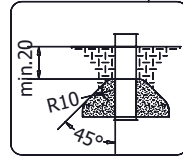


K2, K3

M10x120
x18

Ø10

NOT INCLUDED



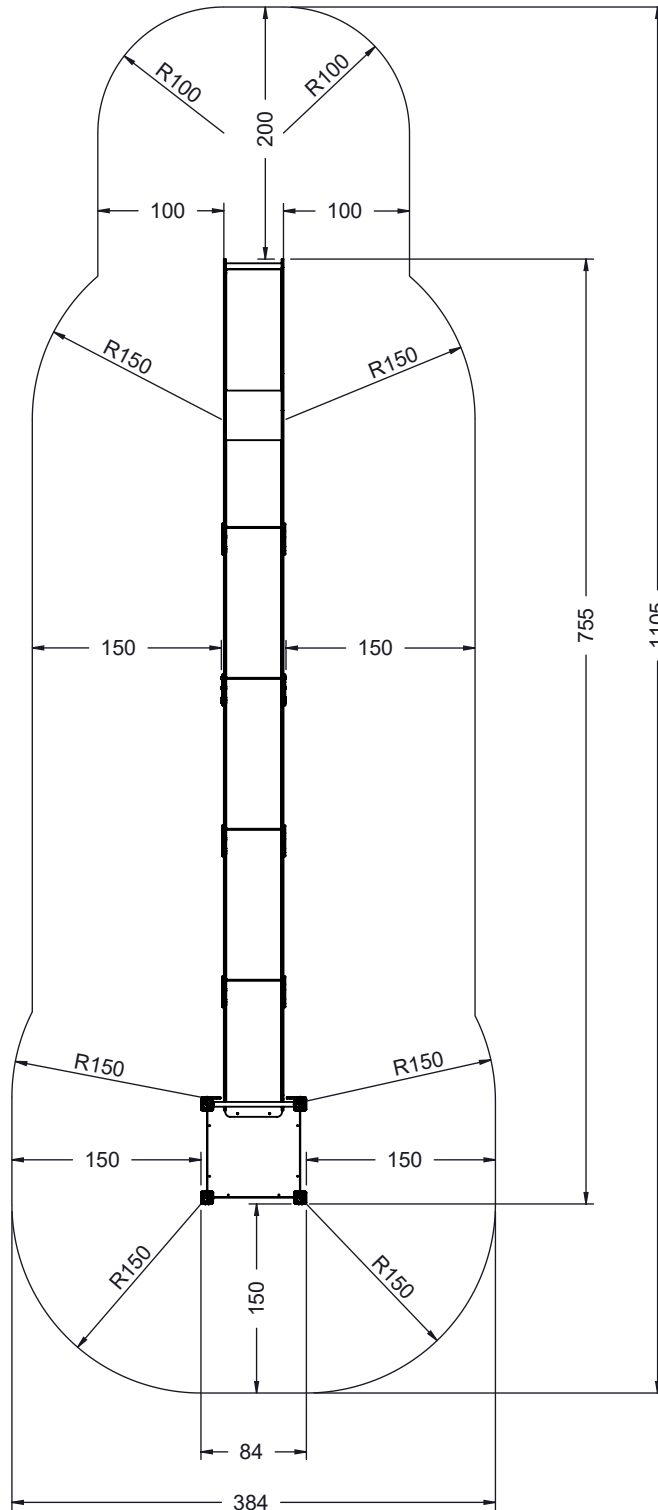
x2

3,5h

x10 0,06 m³

48h

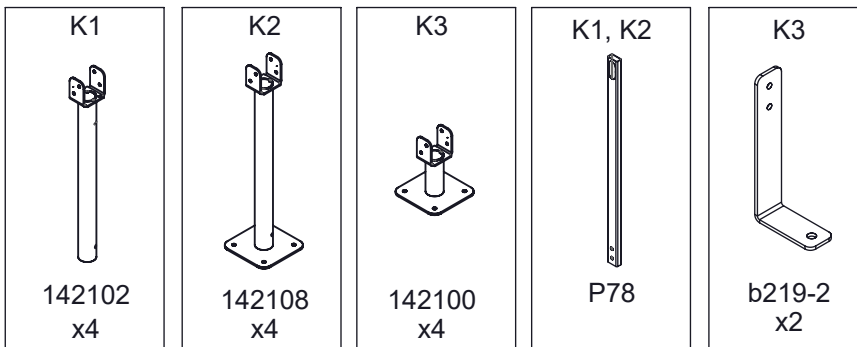
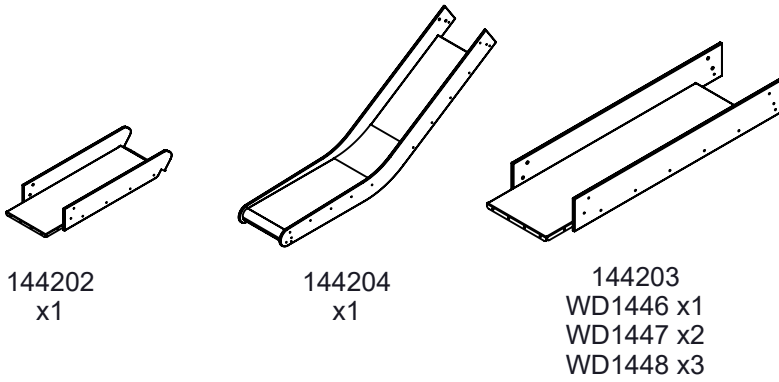
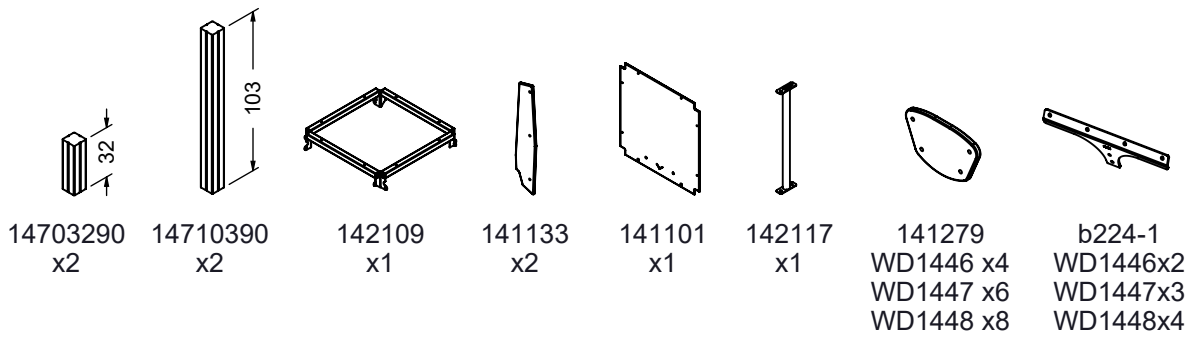
<60 HIC



[cm]



vinci
play

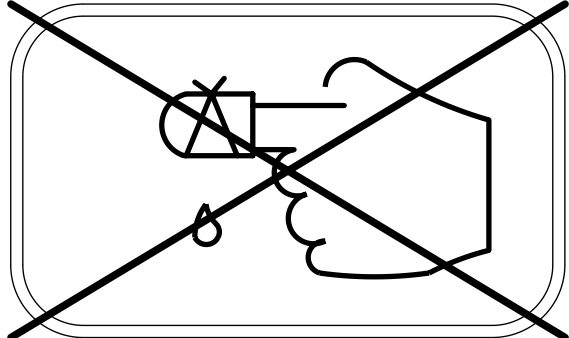
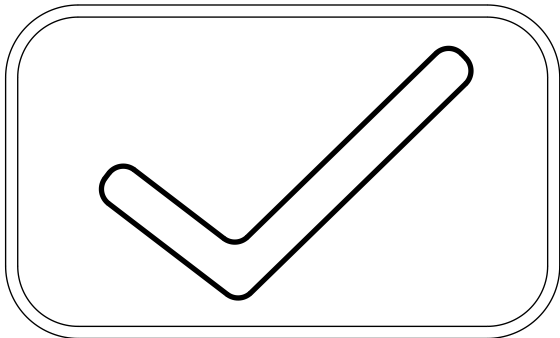
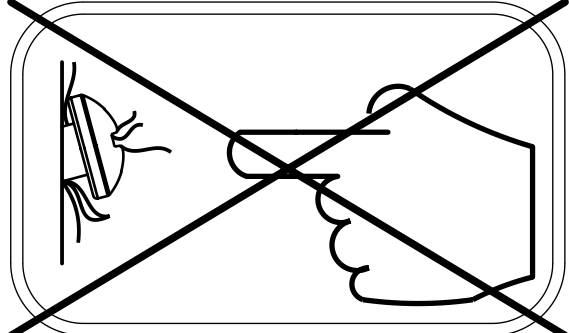
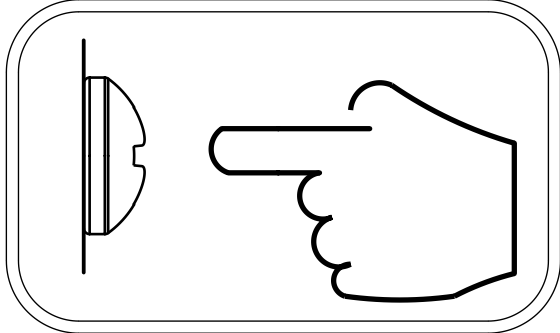
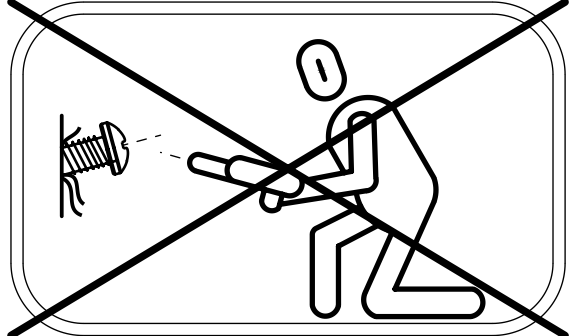
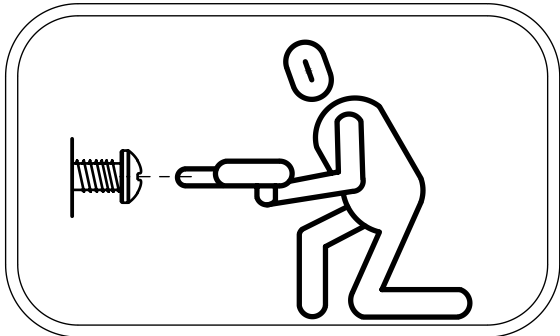


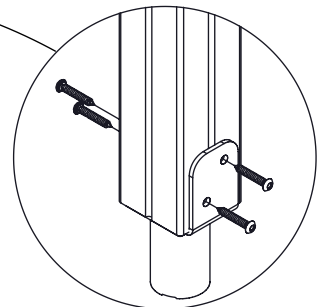
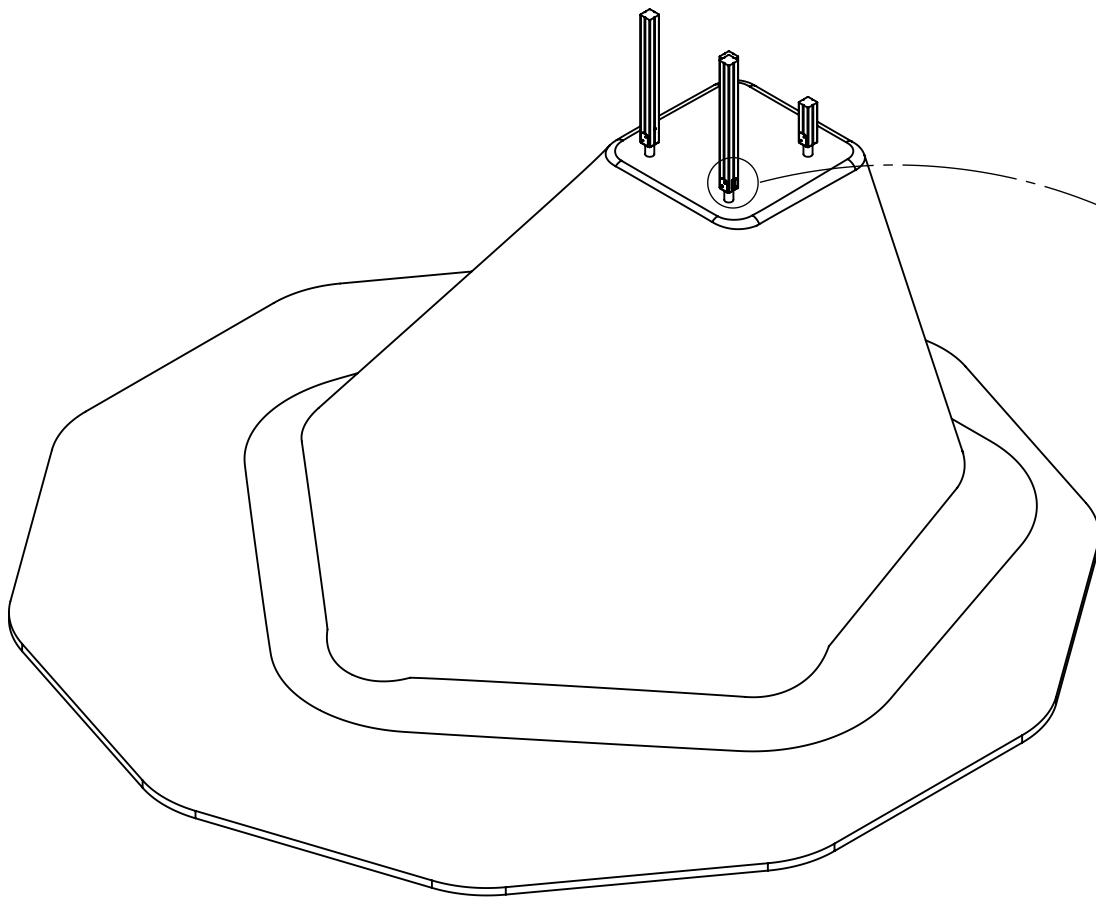
WD1446 x4
 WD1447 x5
 WD1448 x6

		PLYWOOD / HDPE		HPL	
34x	8x50 sxi	1x	WD74	1x	WD75
4x	WD1	1x	WD28	1x	WD29
1x	E34				
1x	E35				
WD1446		2x	WD218	2x	WD217
		2x	E138	2x	E138
WD1447		3x	WD218	3x	WD217
		3x	E138	3x	E138
WD1448		4x	WD218	4x	WD217
		4x	E138	4x	E138

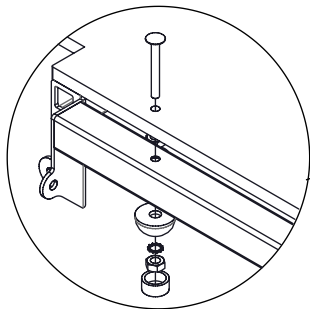
[cm]

vinci play



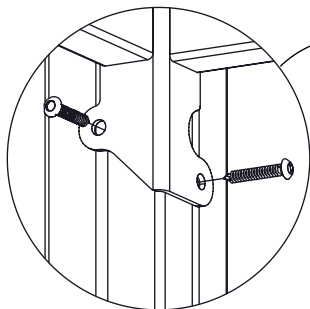


8x50 sxi

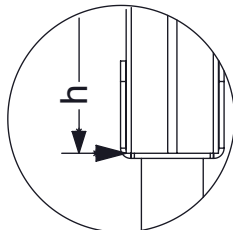
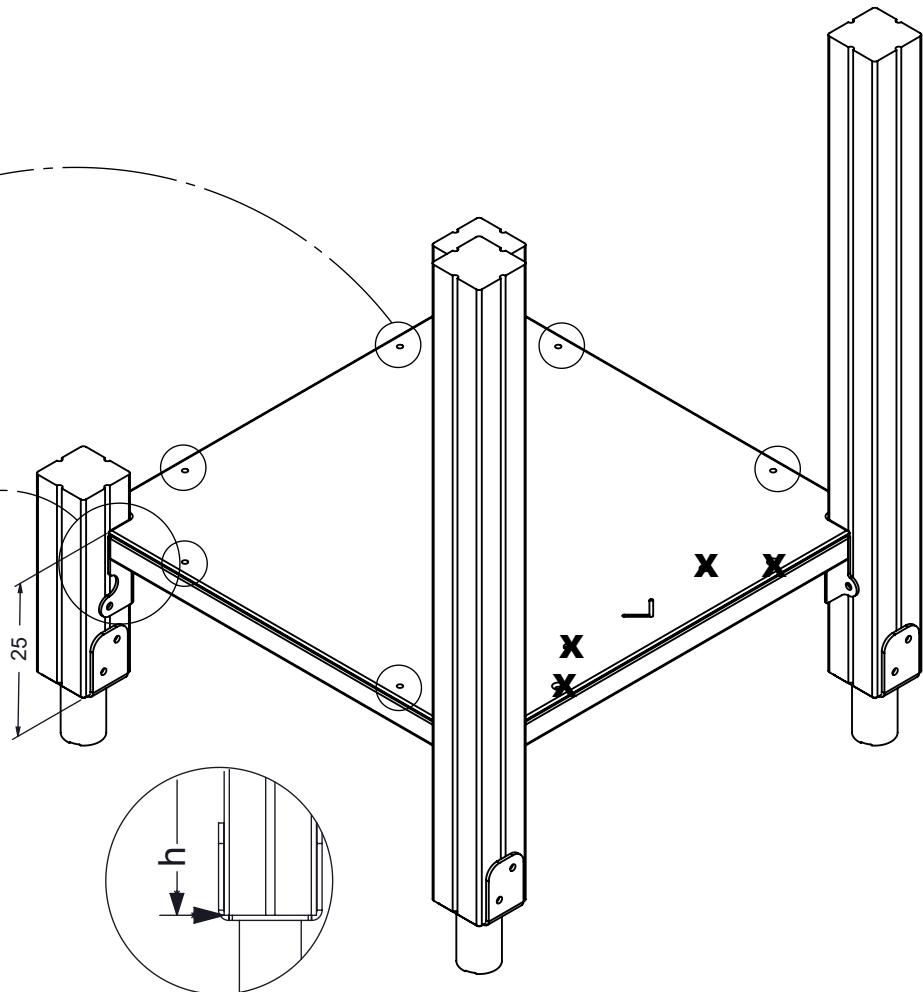


PLYWOOD
WD74

HPL
WD75



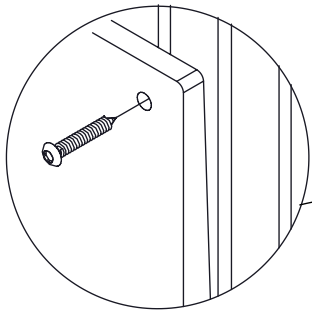
8x50 sxi



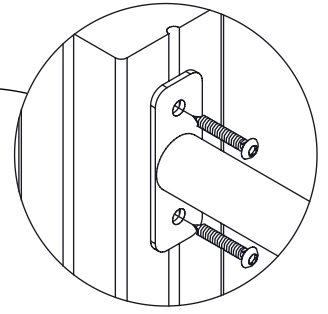
[cm]



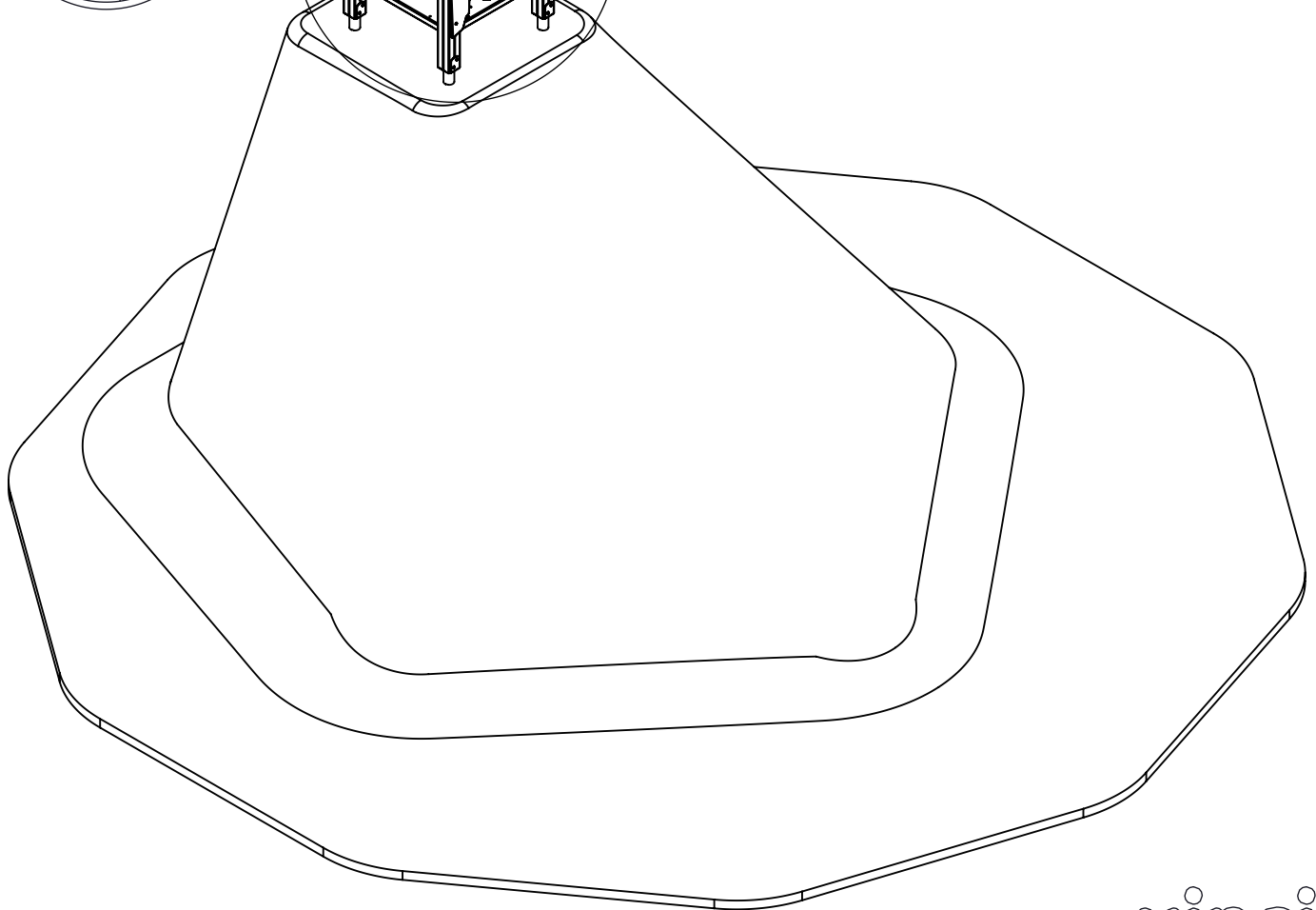
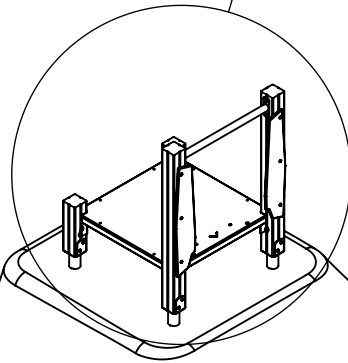
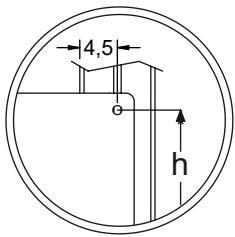
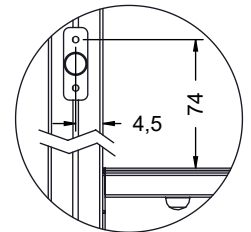
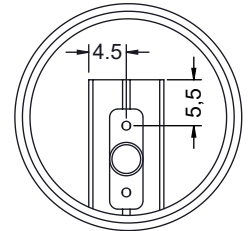
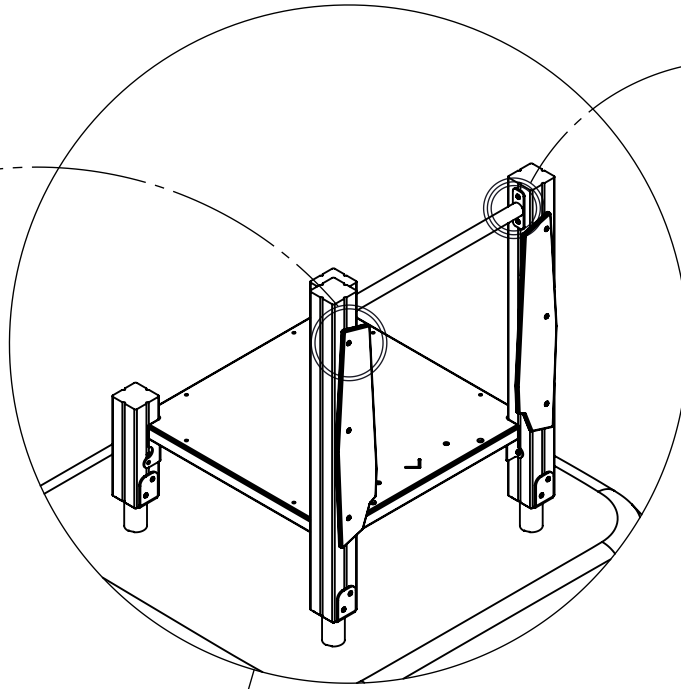
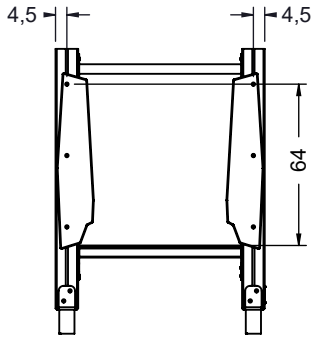
vinci
play



8x50 sxi



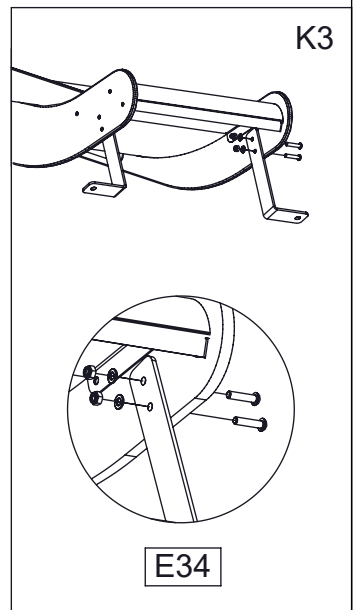
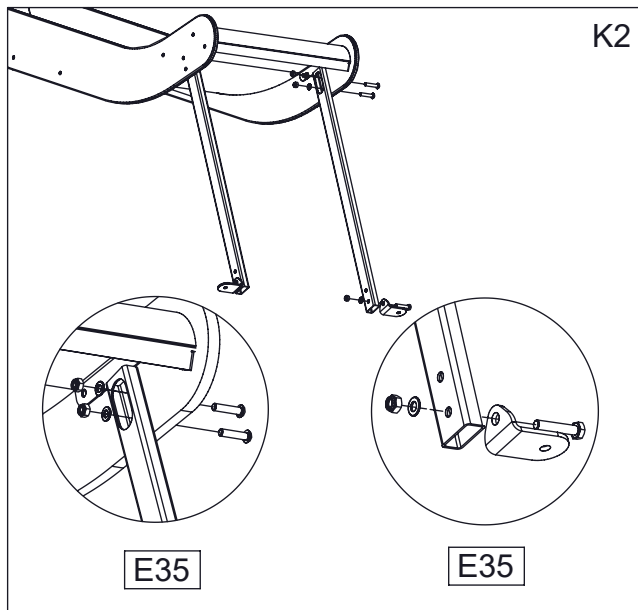
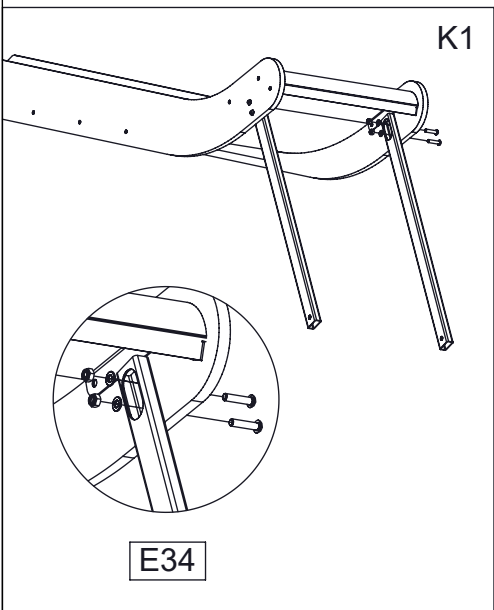
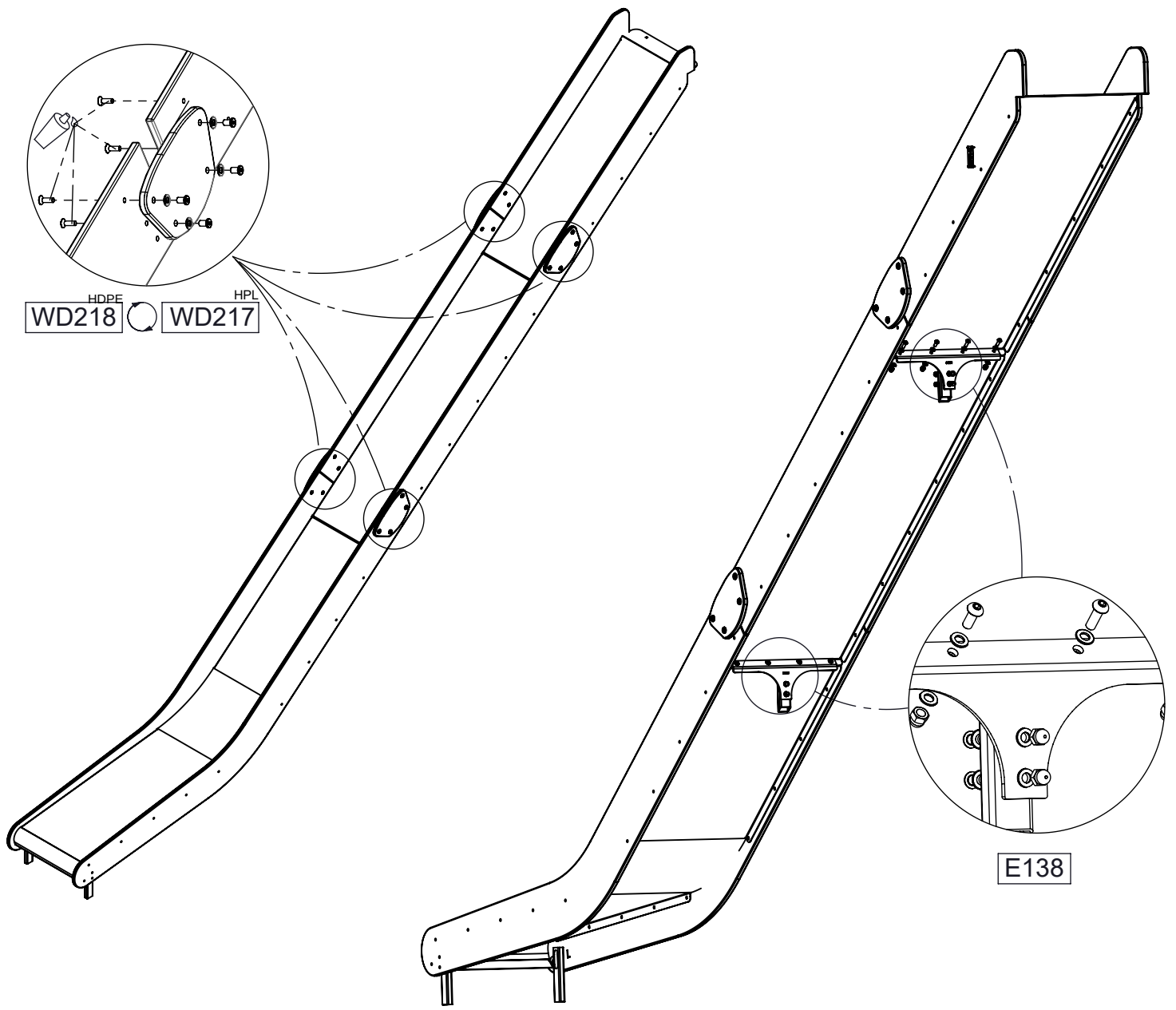
8x50 sxi



[cm]



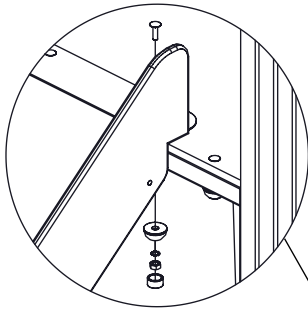
vinci play



[cm]



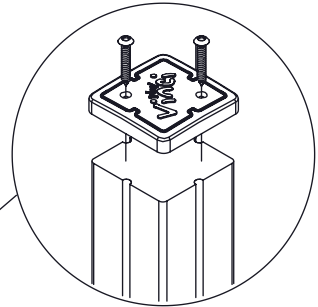
vinci
play



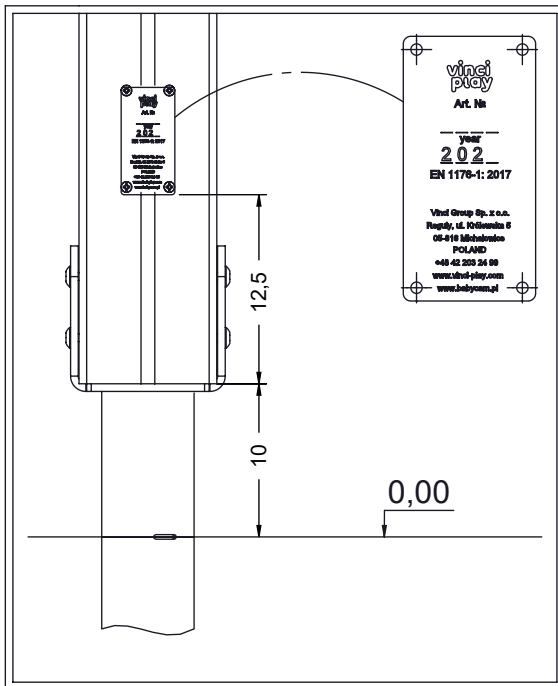
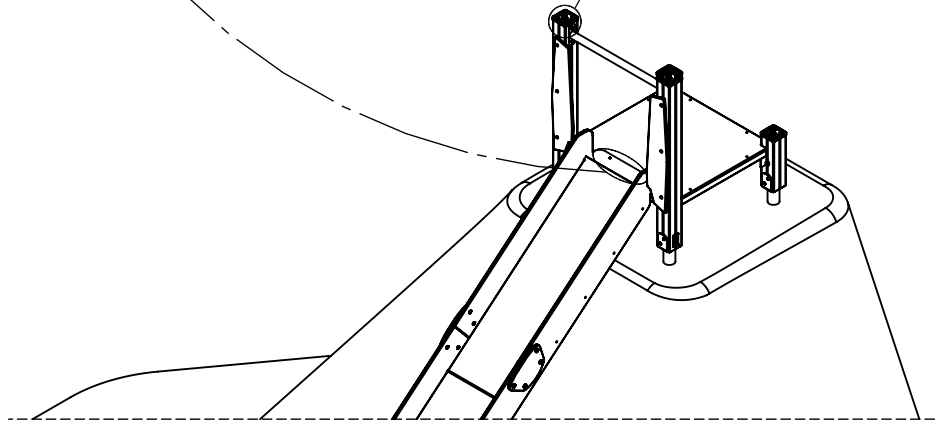
PLYWOOD
WD28

S1

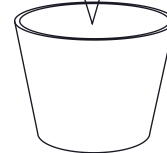
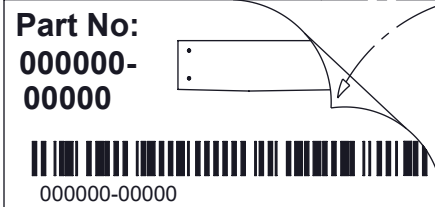
HPL
WD29



WD1



V001



[cm]



vinci
play